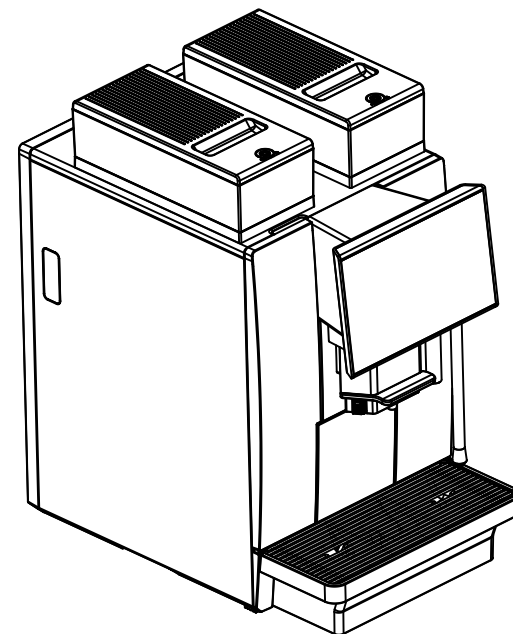


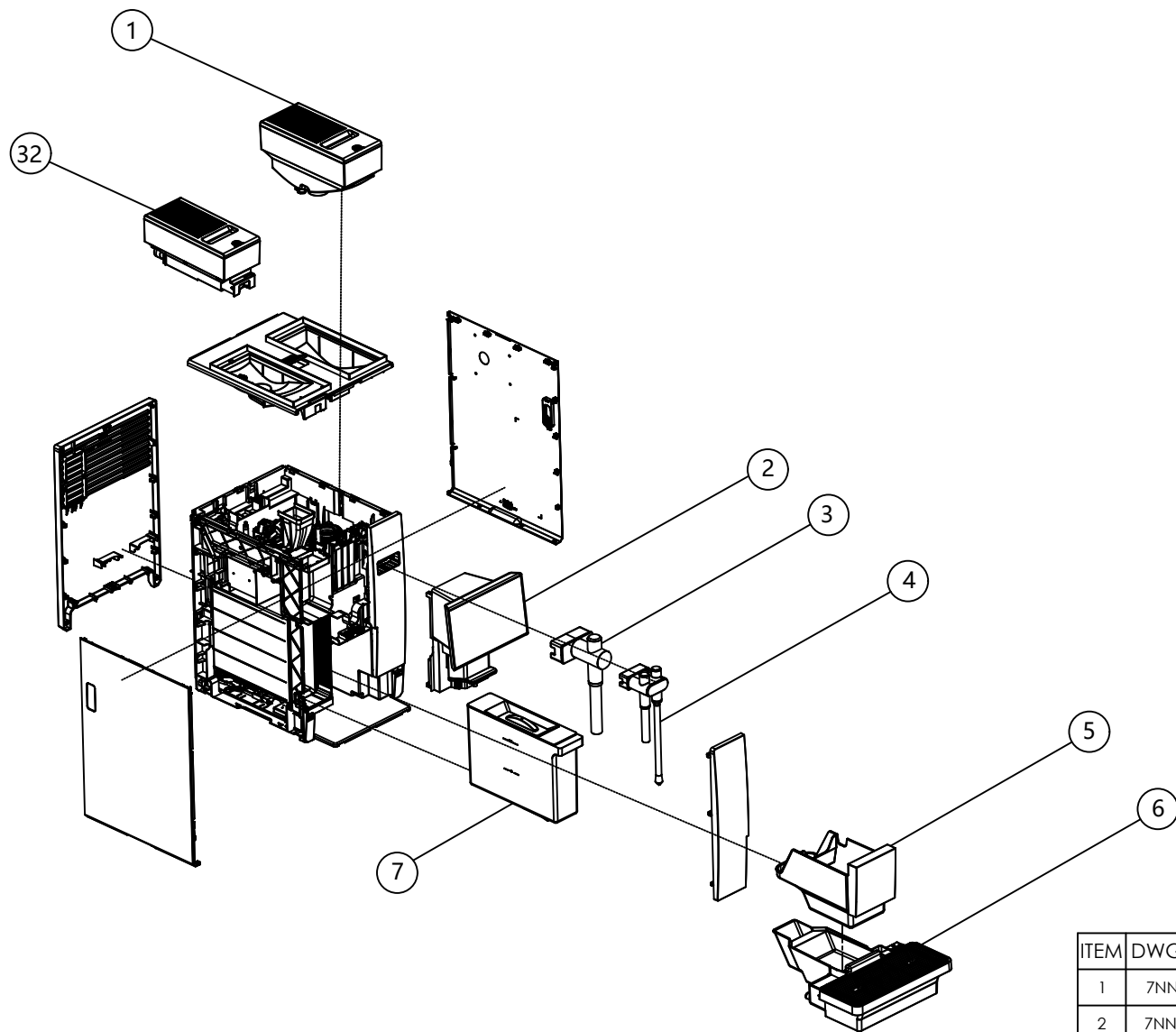
Coffee zone explosive view

ISSUE: 02

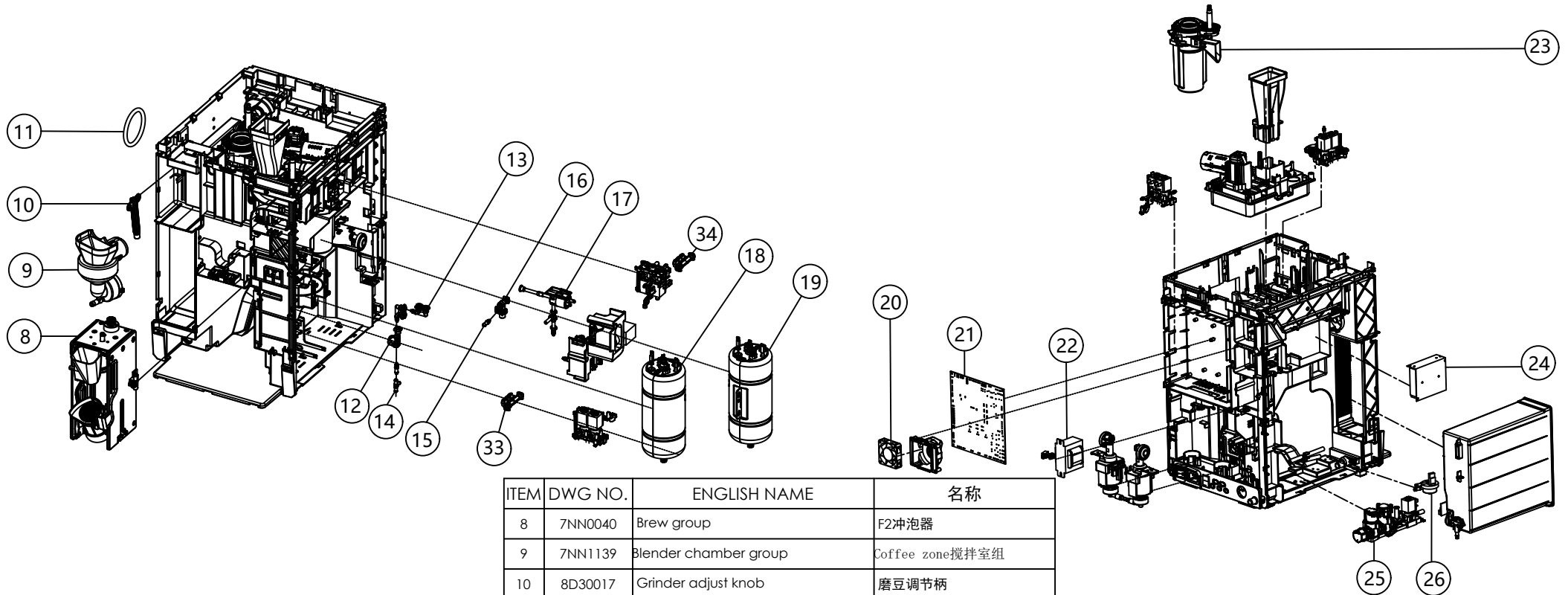


Content

Appearance group.....	01
Body holder.....	02
Power box group.....	03
Water tank group.....	04
Water tank shell group.....	05
HMI assembly.....	06
Coffee export group.....	07
Drip tray.....	08
Brew group.....	09
Boiler group.....	10
Pump group.....	11
Ginder group.....	12
Driving and fixing frame set of foam starter.....	13
Solenoid valve group.....	14
Solenoid valve group.....	15
Pinch valve group.....	16
Box cover.....	17
Mixing motor group.....	18

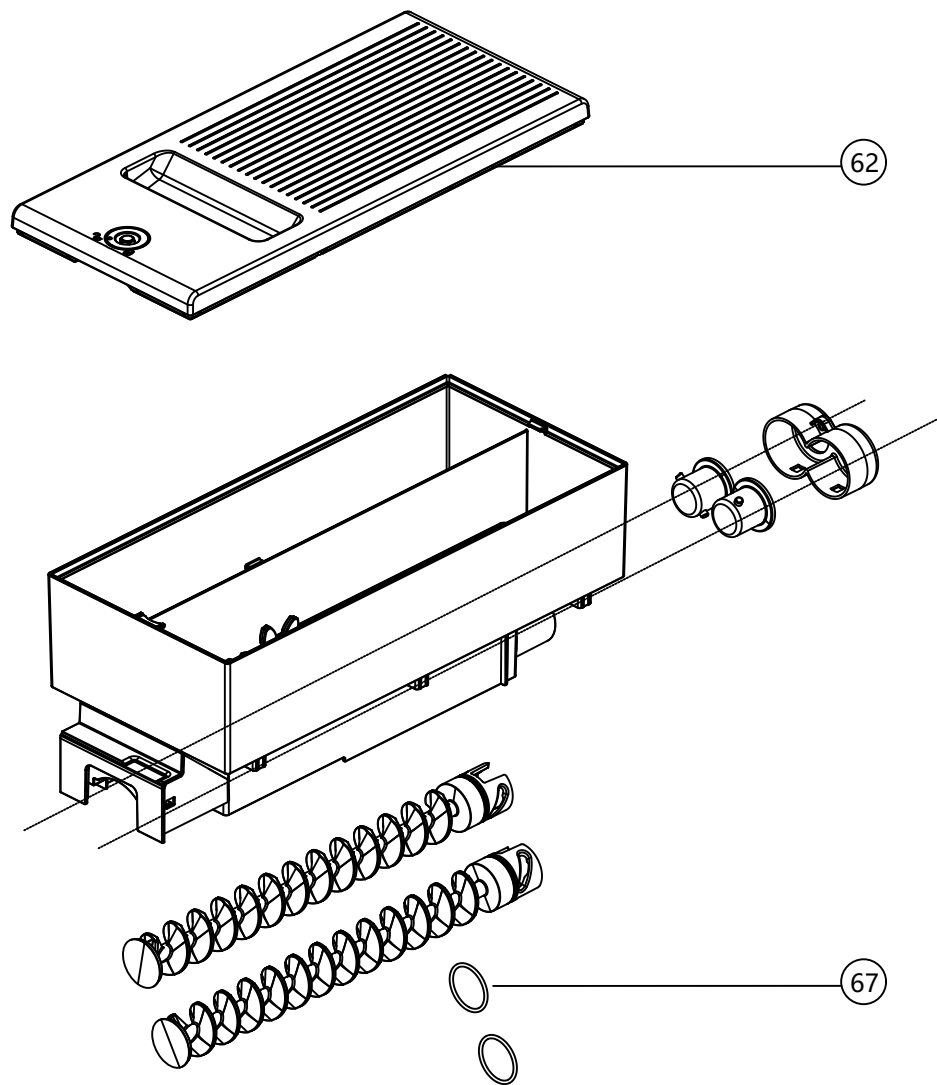


ITEM	DWG NO.	ENGLISH NAME	名称
1	7NN1131	Coffee express right bean box	Coffee express右豆盒组
2	7NN1134	HMI assembly	Coffee zone前面板组
3	7NN0217	Hot water wand group	Coffeebar单热水杆组
4	7NN1141	Steam&hot water wand group	Coffee express蒸汽热水杆组
5	7NN0221	Bean container Group	Minibar渣盒组
6	7NN0220	Drip tray	Minibar蓄水盘组
7	7NN0045	Water tank	F2水箱组
32	7NN1138	Power box group	Coffee zone 粉盒组

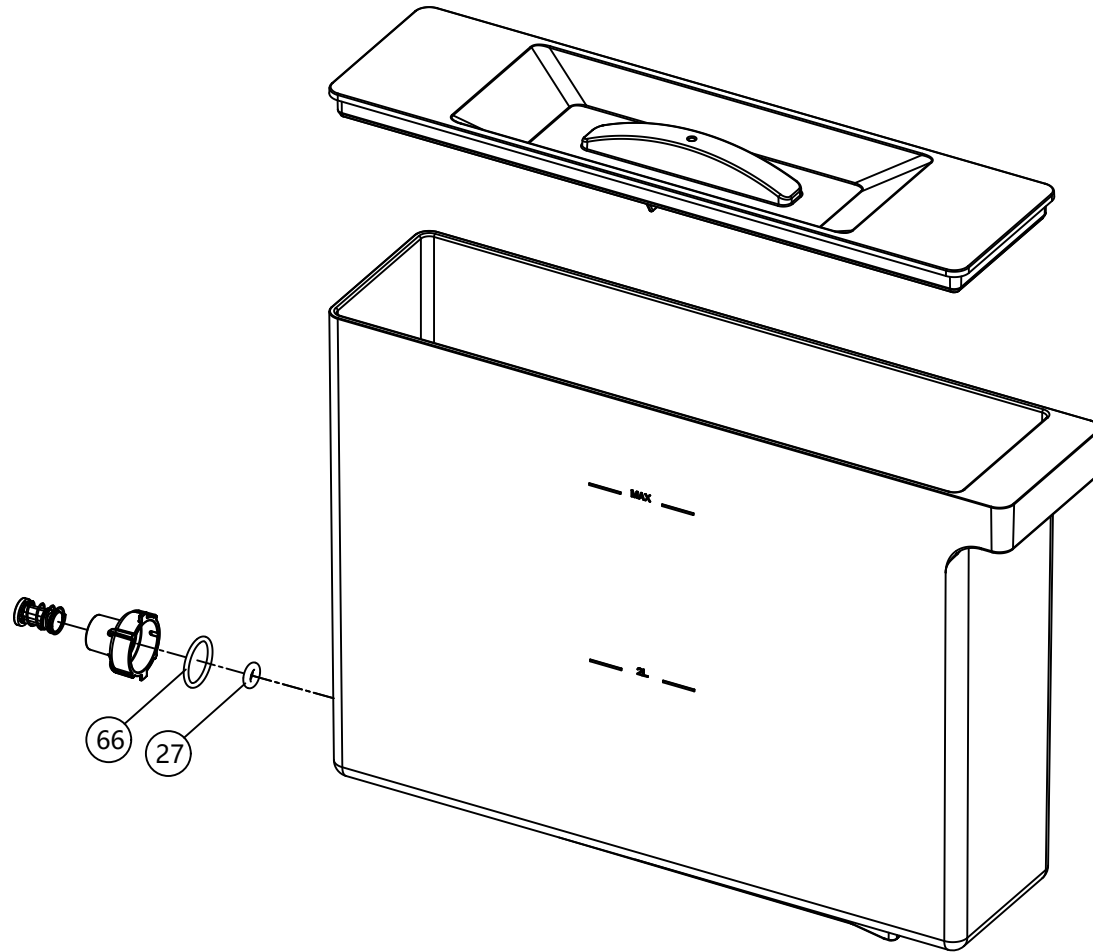


ITEM	DWG NO.	ENGLISH NAME	名称
8	7NN0040	Brew group	F2冲泡器
9	7NN1139	Blender chamber group	Coffee zone搅拌室组
10	8D30017	Grinder adjust knob	磨豆调节柄
11	8G10018	O-ring φ9.5*φ2.65	F2搅拌机进水密封圈
12	7NN0206	Dispenser valve 5W	两通蓄压阀组-5bar
13	8S10059	Fitting	F型接头
14	8S10319	3 way hose connector	三通软管接头9mm
15	8S10350	Hose connector(5*9)	软管接头 (5*9)
16	7NN0207	Dispenser valve 15W	两通蓄压阀组-15bar
17	7NN0248	Air inlet valve	Minibar气阀组
18	7NN0246	Steam boiler group	Minibar蒸汽锅炉组
19	7NN0247	Hot water group	Minibar热水锅炉组
20	8D30130	Fan	风扇
21	8D10084	Control PCBA	F2主控板

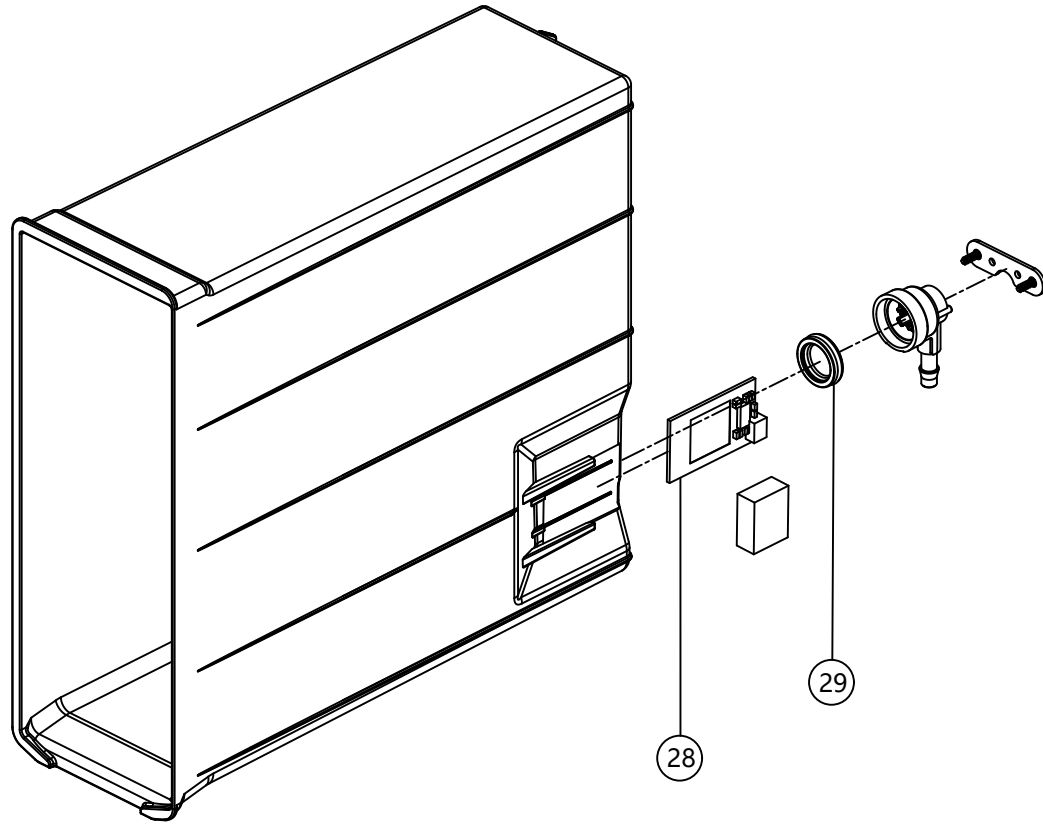
ITEM	DWG NO.	ENGLISH NAME	名称
22	8D30037	Transformer	变压器
23	7NN0205	Grinder group	Minibar磨豆组
24	8D30102	Switching power supply	明纬开关电源50W
25	7NN0251	Water inlet assembly	Minibar自动进水阀组
26	8D30082	Flowmeter 0° (2.0mm)	流量计0度 (2.0mm)
33	8S10957	Fitting	进奶检测接头
34	8S10958	Fitting	补水检测接头



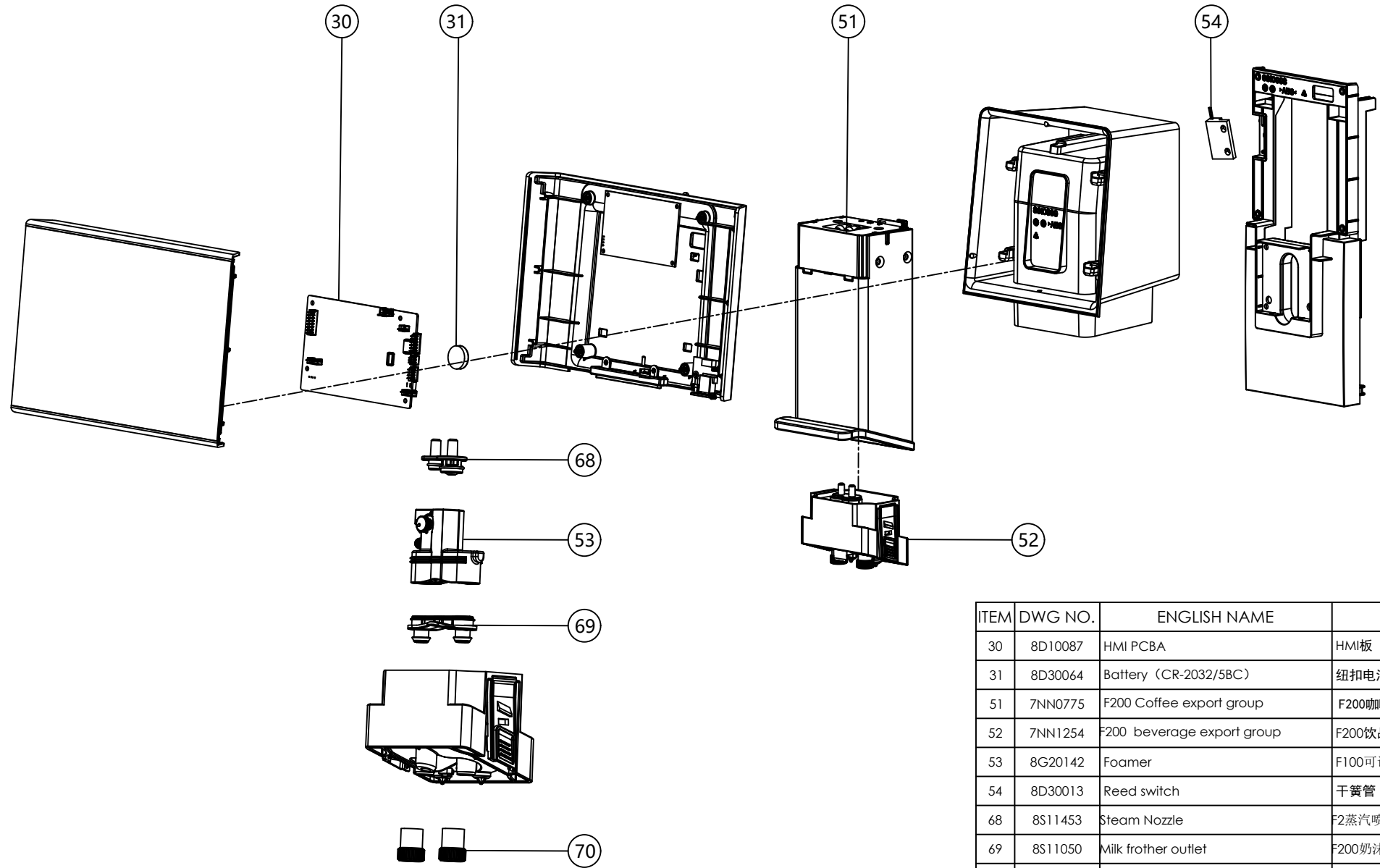
ITEM	DWG NO.	ENGLISH NAME	名称
62	7NN1132	Box cover	Coffee express豆盒盖
67	8G10051	O-ring $\phi 24 \times \phi 1.5$	Coffee zone送粉螺杆密封圈



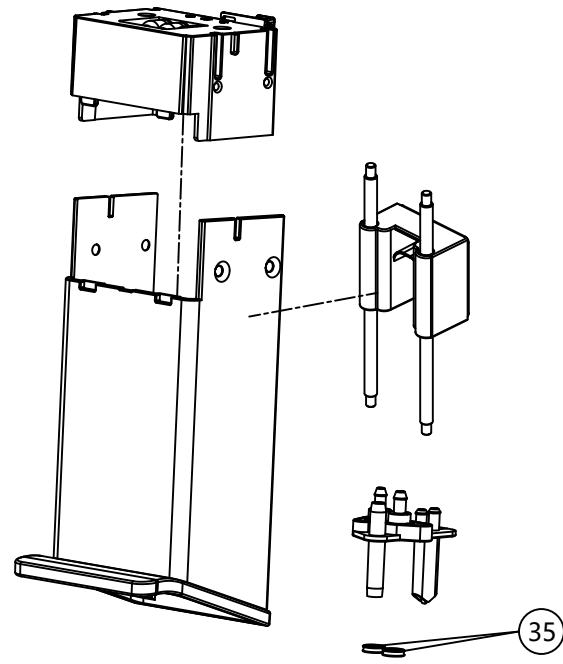
ITEM	DWG NO.	ENGLISH NAME	名称
27	8G10001	O-ring $\phi 5.0 \times \phi 3.0$	水箱止逆阀密封圈
66	8G20068	O-ring $\phi 18 \times \phi 2.0$	水箱出水口密封圈



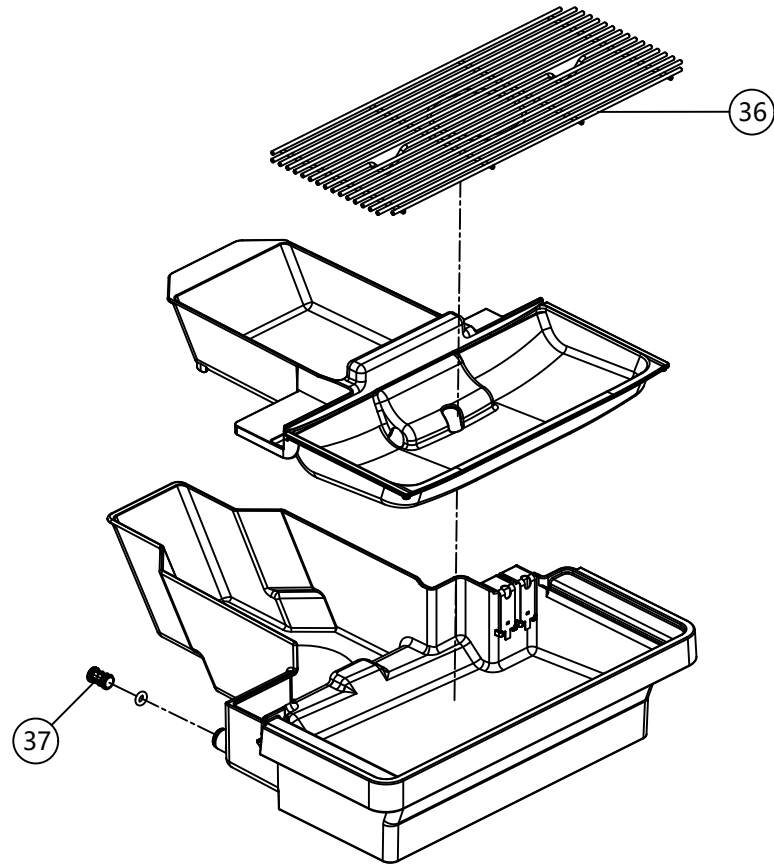
ITEM	DWG NO.	ENGLISH NAME	名称
28	8D10027	Water level detection PCBA	水位检测PCB
29	8G20014	Y-ring φ22.67*φ13.90	导水座Y型密封圈



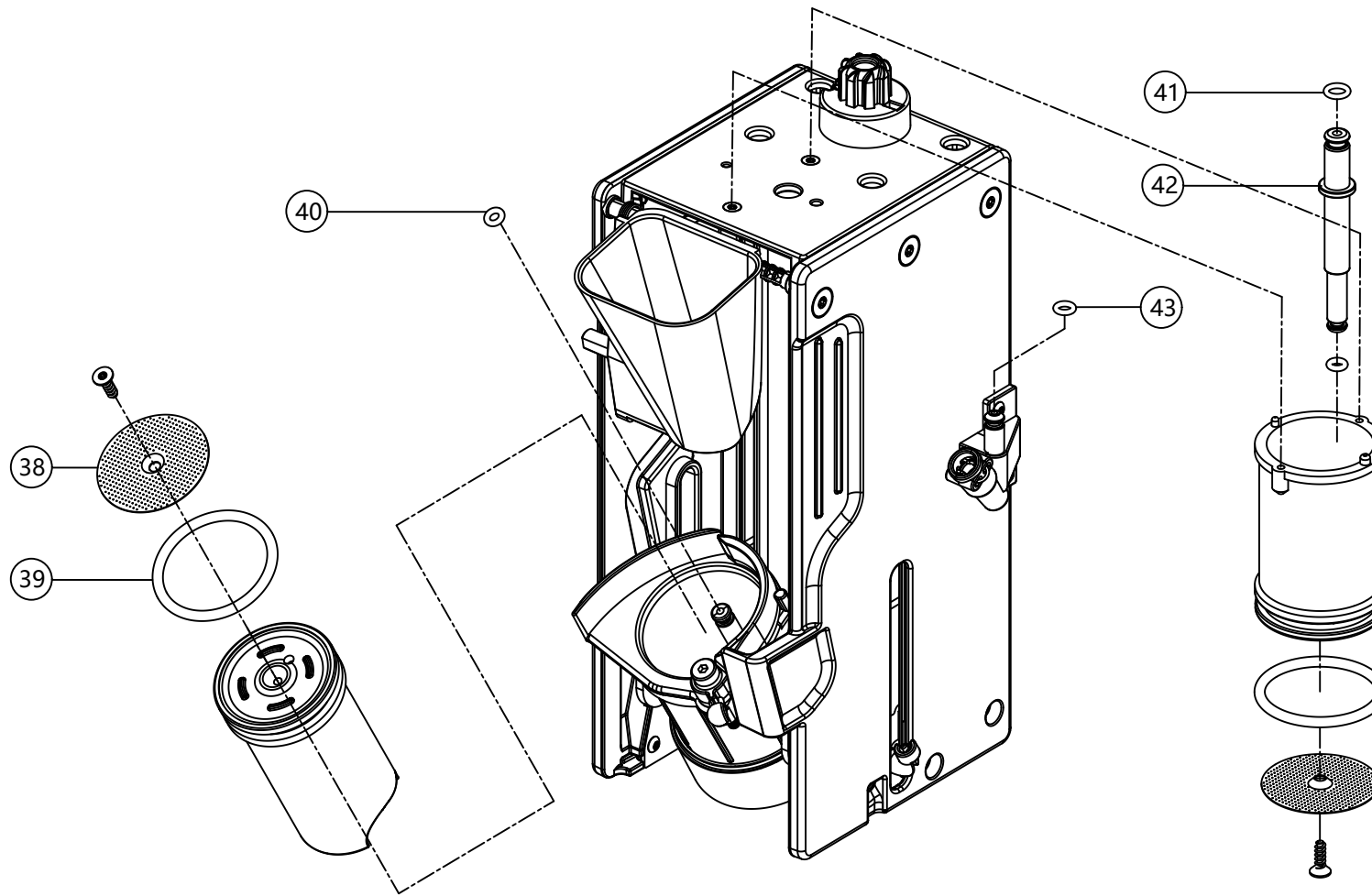
ITEM	DWG NO.	ENGLISH NAME	名称
30	8D10087	HMI PCBA	HMI板
31	8D30064	Battery (CR-2032/5BC)	纽扣电池
51	7NN0775	F200 Coffee export group	F200咖啡出口组
52	7NN1254	F200 beverage export group	F200饮品出口组
53	8G20142	Foamer	F100可调节奶沫器组
54	8D30013	Reed switch	干簧管
68	8S11453	Steam Nozzle	F2蒸汽喷嘴封
69	8S11050	Milk frother outlet	F200奶沫器出口
70	8G20035	Foam applicato	奶沫器缓冲嘴



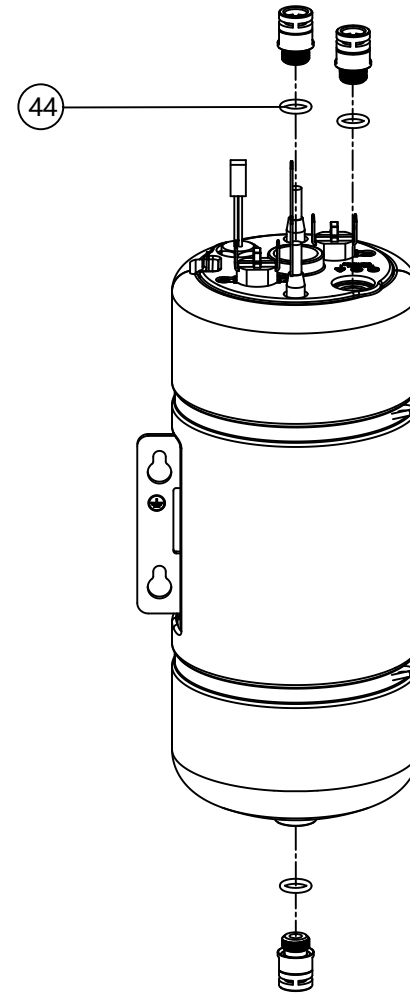
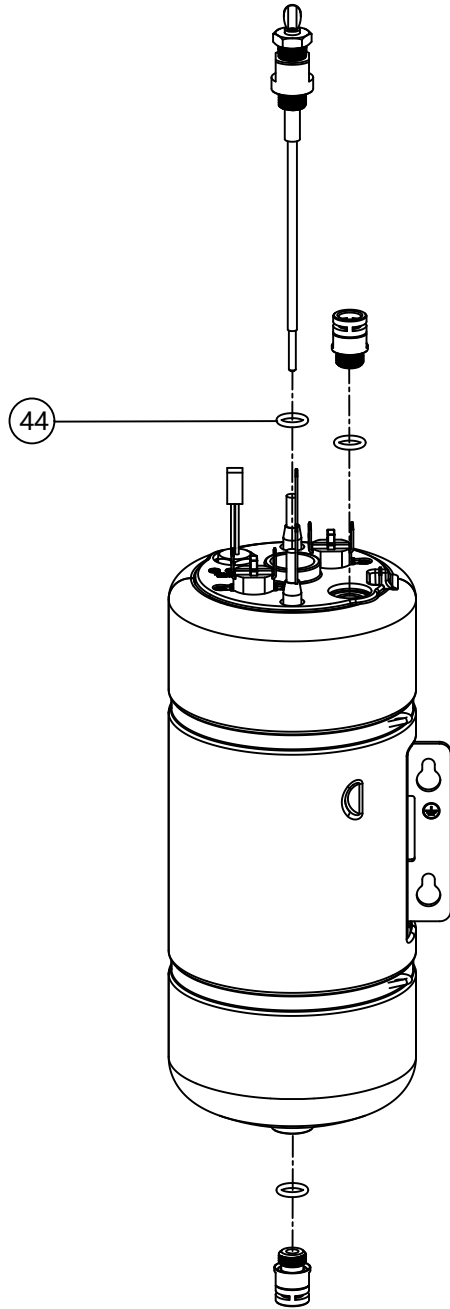
ITEM	DWG NO.	ENGLISH NAME	名称
35	8G10041	X-ring $\phi 10.4 * \phi 5.3$	星型密封圈



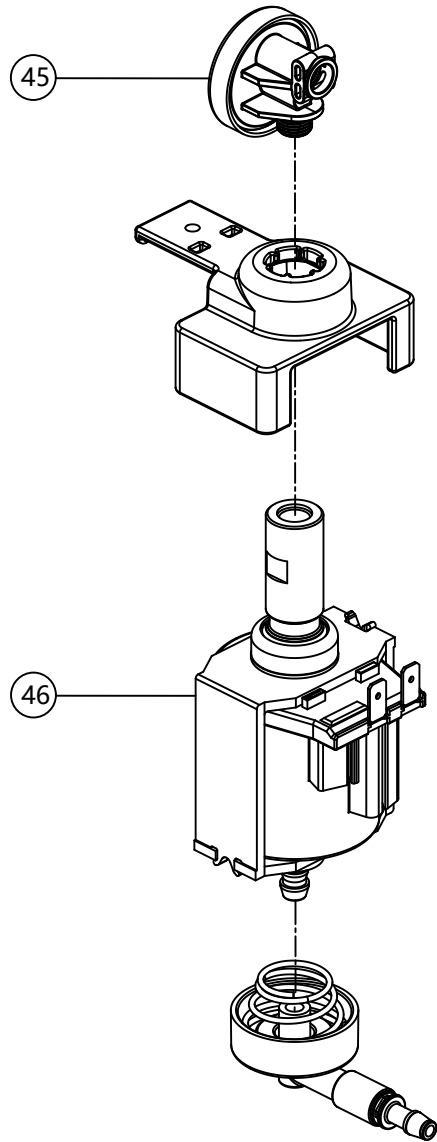
ITEM	DWGNO.	ENGLISH NAME	名称
36	8W60017	Stainless steel cup	不锈钢托杯盘
37	7NN0371	One-way valve	单向阀组



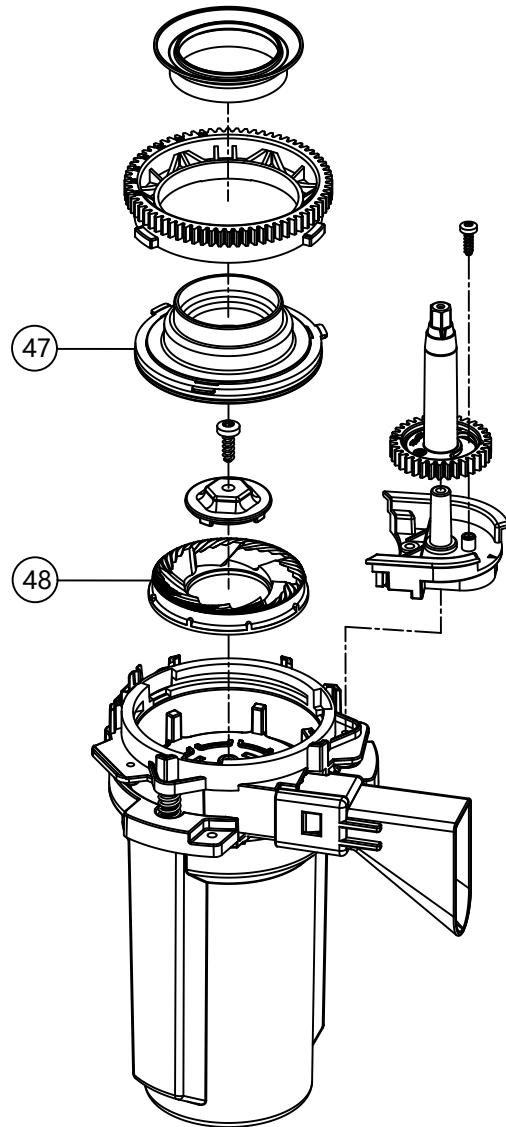
ITEM	DWG NO.	ENGLISH NAME	名称
38	8W60011	Coffee Filter	冲煮头过滤网
39	8G10004	O-ring $\phi 37.69 \times \phi 3.53$	冲煮头密封圈
40	8G10008	O-ring $\phi 3.3 \times \phi 2.0$	铜套密封圈
41	8G10013	O-ring $\phi 5.6 \times \phi 1.8$	冲泡器咖啡出口密封圈
42	8S10171	Coffee outlet	冲泡器咖啡出口
43	8G10012	O-ring $\phi 4 \times \phi 1.8$	导向轴密封圈



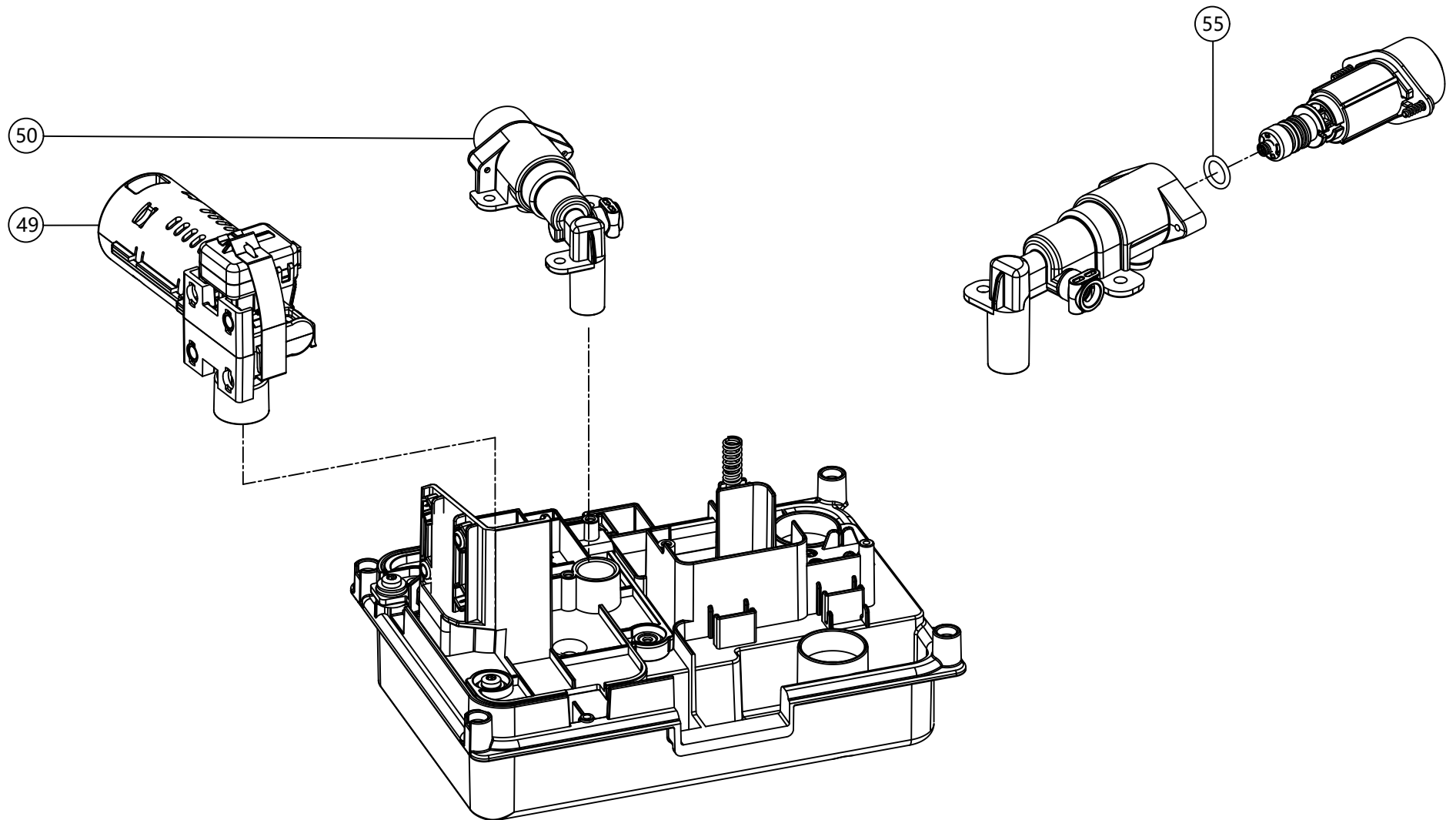
ITEM	DWG NO.	ENGLISH NAME	名称
44	8G10024	O-ring $\phi 9.5 \times \phi 1.5$	锅炉接头密封圈



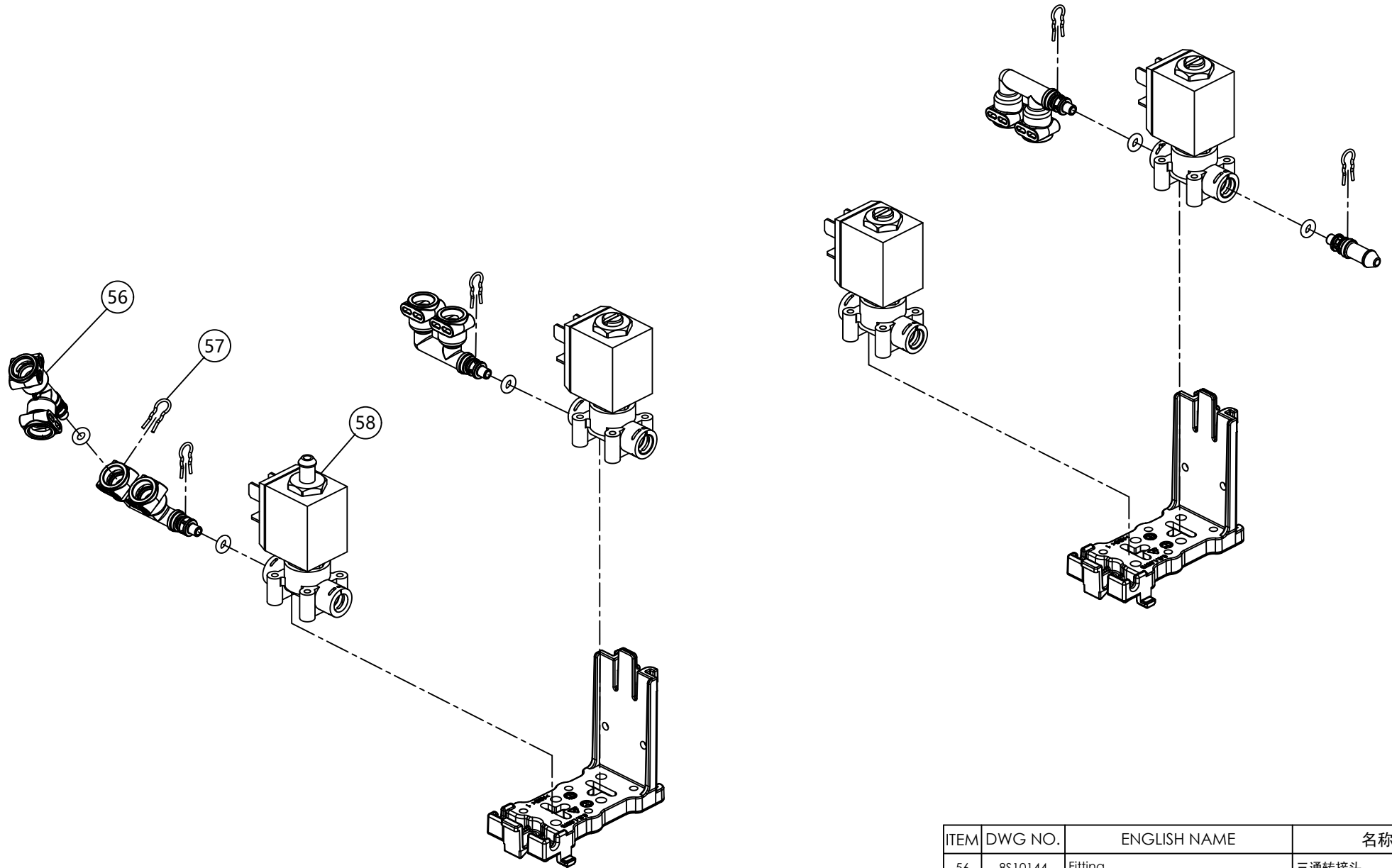
ITEM	DWG NO.	ENGLISH NAME	名称
45	7NN0012	Membrane controller group	稳压阀组
46	8D30051	Pump (220-240V 50Hz)	水泵 (220-240V 50Hz)
	8D30052	Pump (220-240V 60Hz)	水泵 (220-240V 60Hz)



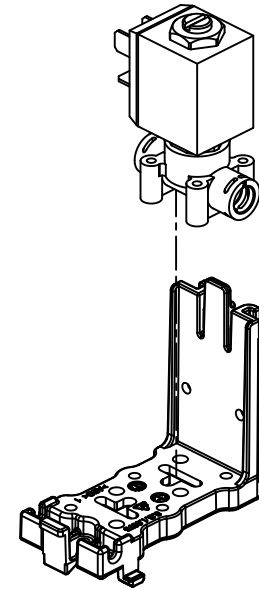
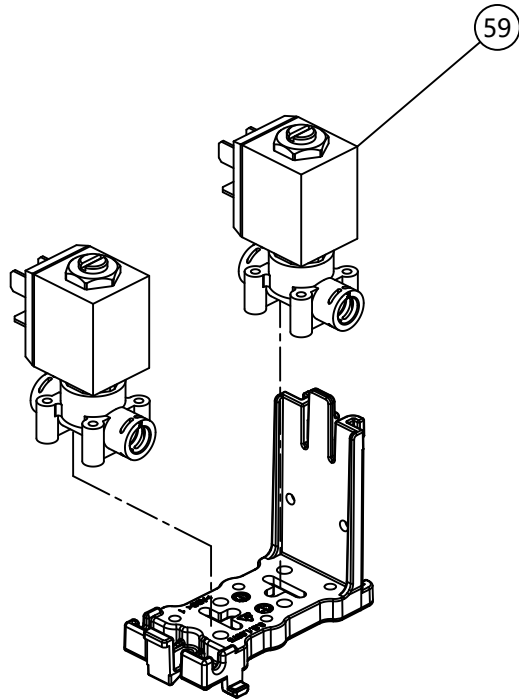
ITEM	DWG NO.	ENGLISH NAME	名称
47	7NN0119	Upper grinder burr assembly	上刀盘组
48	8T10003	Grinder burr	磨豆刀



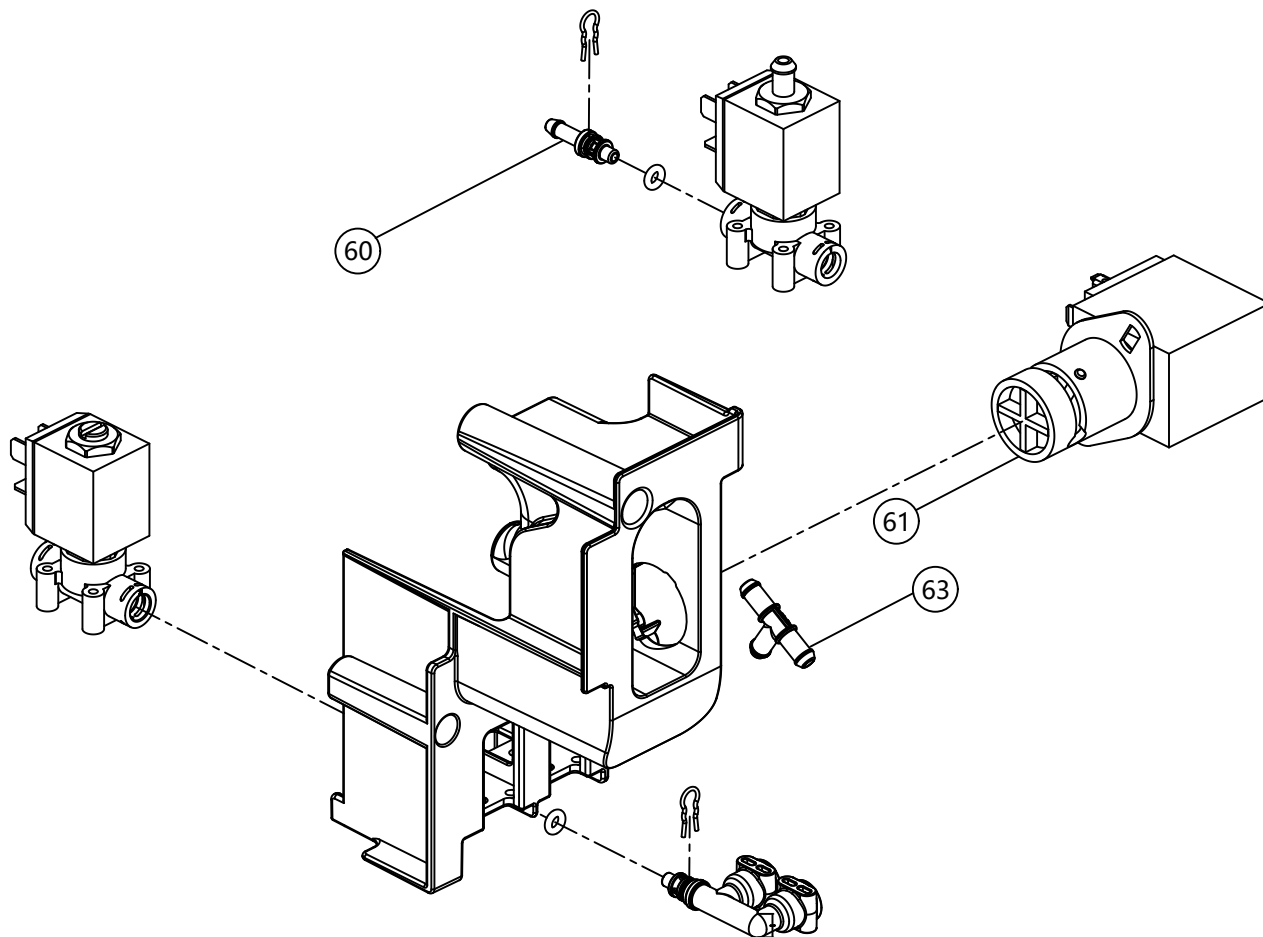
ITEM	DWG NO.	ENGLISH NAME	名称
49	7NN0225	Drive motor system	Minibar传动反馈组
50	7NN0243	Pressure regulating valve	Minibar蓄压阀组
55	8G10005	O-ring $\phi 8.5 \times \phi 1.8$	蓄压阀密封圈



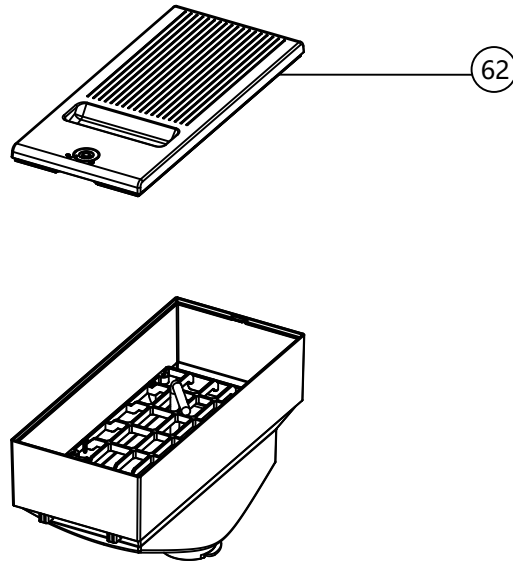
ITEM	DWG NO.	ENGLISH NAME	名称
56	8S10144	Fitting	三通接头
57	8W50023	Spring clip	通用弹簧夹
58	8D30034	Solenoid valve 3W	三通电磁阀



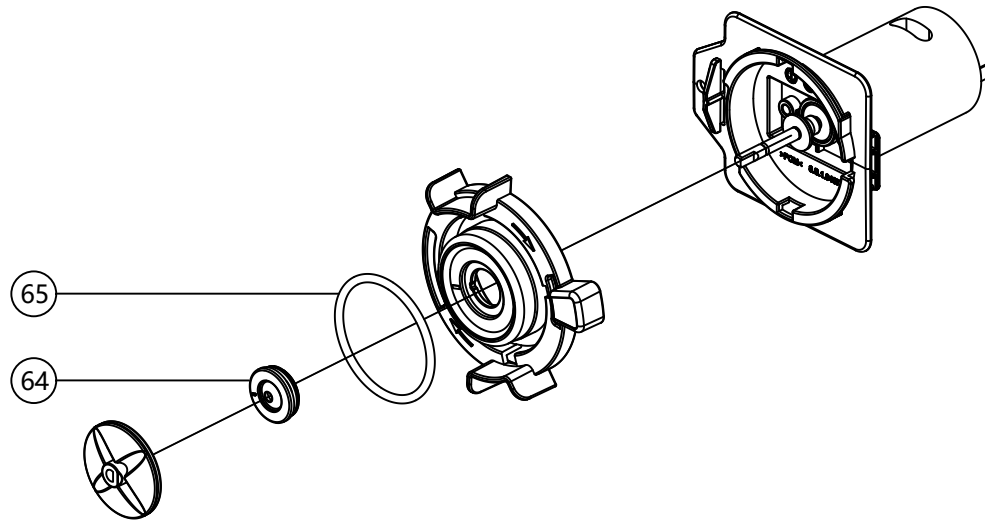
ITEM	DWG NO.	ENGLISH NAME	名称
59	8D30021	Solenoid valve 2W	两通电磁阀



ITEM	DWG NO.	ENGLISH NAME	名称
60	8S10342	Hose connector	软管接头 (3*6)
61	8D30085V1	Pinch valve	夹管阀
63	8D30085V1	3 Way hose connector	3通软管接头D6



ITEM	DWG NO.	ENGLISH NAME	名称
62	7NN1132	Box cover	Coffee express 豆盒盖



ITEM	DWG NO.	ENGLISH NAME	名称
64	8G20030	Seal ring of mixer moto	F2粉料搅拌电机轴密封圈
65	8G10026	O-ring $\phi 37.77 \times \phi 2.62$	粉料搅拌室密封圈