

Table :01 - Door, external side

	Code	Description	Notes
1	253936	DOOR ASSEMBLED 700	
2	253884	UPPER DOOR HEAD 700	
3	253880	UPPER INTERFACE PANEL	
4	253887	DOOR RIGHT PROFILE	
5	253914	UPPER LABEL	
6	254028	DISPLAY ELEMENT PANEL	
7	253882	COIN SLOT MOLDING	
8	253913	LOWER LABEL 7 SEL.	
9	253899	HANDLE	
10	254281	PHOTOGRAPHIC PANEL 700 -COLLAGE-	
11	253886	CENTRAL DOOR PROFILE	
12	253879	LOWER INTERFACE PANEL	
13	253905	PUSH-BUTTON PANEL 7 SELECTIONS	
14	253907	DISPENSING COMPARTMENT	
15	253930	DISPENSING COMPARTMENT DOOR + PIN	
16	253904	CONVEX PROFILE 700	
17	987707	EJOT-PT-SCREW 3X14	
18	0V1915	TRAY	
19	253885	LOWER DOOR HEAD 700	
20	253888	LEFT DOOR PROFILE	
21	253927	DOOR HINGE	
22	253900	ANTI-BREAKING PROTECTION	
23	254249	DIRECT SELECTION PUSH BUTTON	
24	254035	DOOR MONEY PLATE	
25	254405	PHOTOGRAPHIC PANEL 700 -DOLCE VITA-	
26	254160	PUSH-BUTTON PANEL 9 SELECTIONS	
27	254452	LOWER LABEL 9 SEL.	
28	254457	DIESIS LOGOTYPE ADHESIVE	

Table :02 - Door, internal side

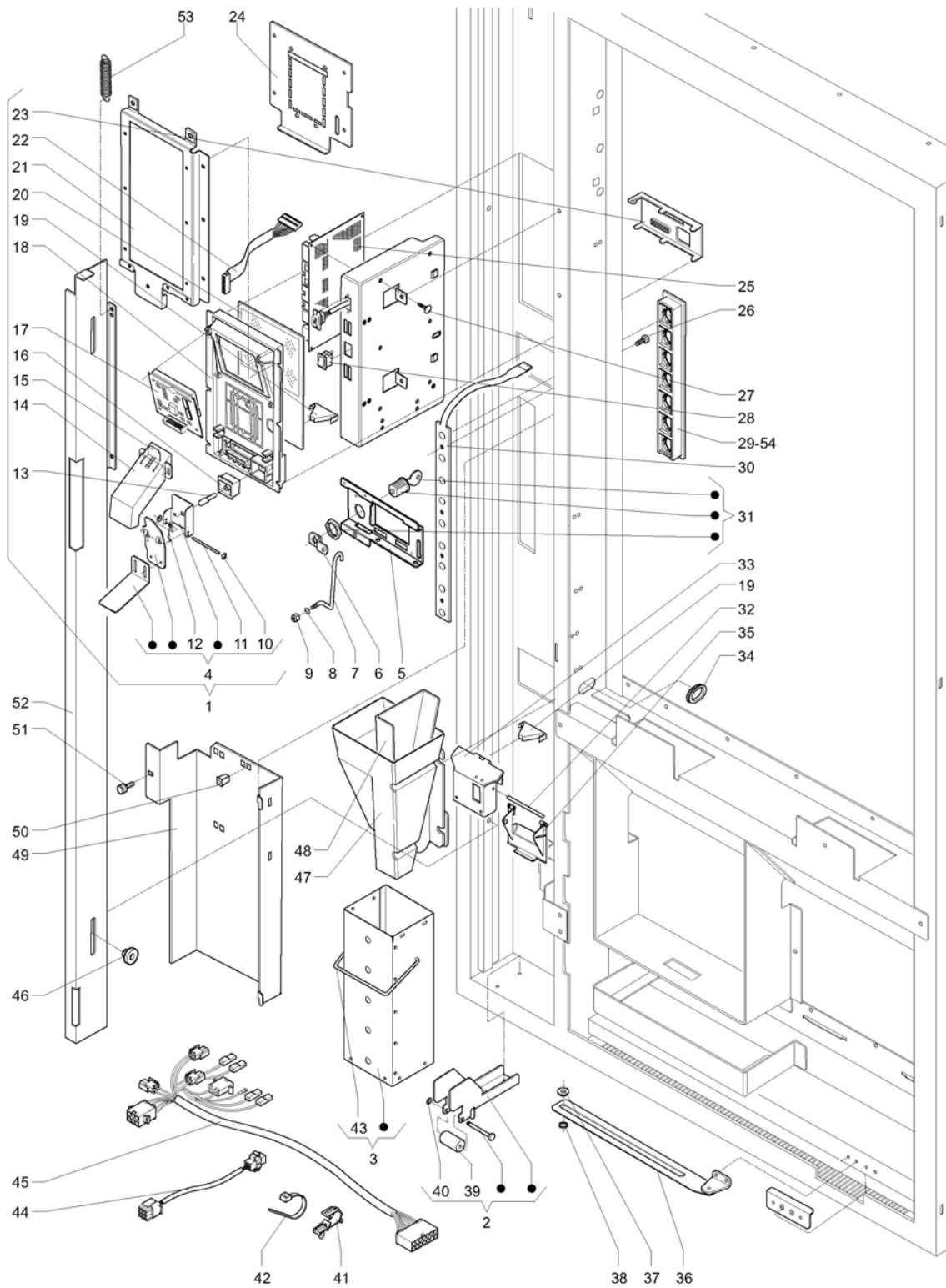


Table :02 - Door, internal side

	Code	Description	Notes
1	253932	COIN INSERT PIECE	
2	253929	DOOR ROLLER ASSEMBLY	
3	253933	MONEY BOX COMPLETE	
4	253931	COIN RETURN ASSY.	
5	253874	HANDLE REINFORCEMENT	
6	253883	LATCH	
7	253891	LOCK PIN	
8	093342	COTTER 2X15 UNI	
9	091703	SELF-BLOCKING NUT M4	
10	093754	BENZING COLLAR QUICKBLOCK BQ DIAM MM	
11	099355	CHANGE GIVING PIN	
12	099356	SPRING FOR CHANGE	
13	099351	ACTIVATOR	
14	0V2084	LOWER COIN SLOT CHUTE	
15	099357	UPPER SLIDE	
16	253912	COIN RETURN BUTTON	
17	253925	DISPLAY	
18	253909	PAYMENT SYSTEM MOLDING	
19	253911	CENTRAL LIGHT DIFFUSER	
20	254028	DISPLAY ELEMENT PANEL	
21	253873	DISPLAY SUPPORT	
22	253920	DISPLAY WIRING	
23	253882	COIN SLOT MOLDING	
24	253928	DOOR UPPER ELEMENT	
25	253924	CPU BOARD	
26	987612	EJOT-PT-SCREW 4X12	
27	097175	CARD SPACER	
28	097807	BUTTON	
29	253905	PUSH-BUTTON PANEL 7 SELECTIONS	
30	253922	9-PUSH-BUTTON MEMBRANEPANEL	
31	099905	LOCK RIELDA	
32	254159	SLIDER PIN	
33	253955	BOARD COIN RETURN SUPPORT	
34	093916	WHIPPING OVAL	
35	254158	COIN RECOVERY OPENING	
36	0V2160	DOOR STOP	
37	250160	DOOR STOP SPACER	
38	093470	FLAT WASHER MM 6.4	
39	0V0601	ROLLER	
40	093198	CIRCULAR JUNK RING	
41	098165	WIRE-FIXING	
42	090148	CLIP	

Table :02 - Door, internal side

	Code	Description	Notes
43	253890	COIN BOX HANDLE	
44	253921	BDV COIN MECHANISM WIRING	
45	253916	DOOR WIRING	
46	253894	LOCK ROD SPACER	
47	253910	CHUTE FOR CHANGE	
48	253951	CHUTE FOR CHANGE SEPARATOR	
49	253872	COIN MECHANISM TURNABLE SUPPORT	
50	094111	INSULATING DOLLY BLOCK	
51	096977	KNURL	
52	253871	DOOR LOCK ROD	
53	253893	ROD RETURN SPRING	
54	254160	PUSH-BUTTON PANEL 9 SELECTIONS	

Table :03 - Counter-door

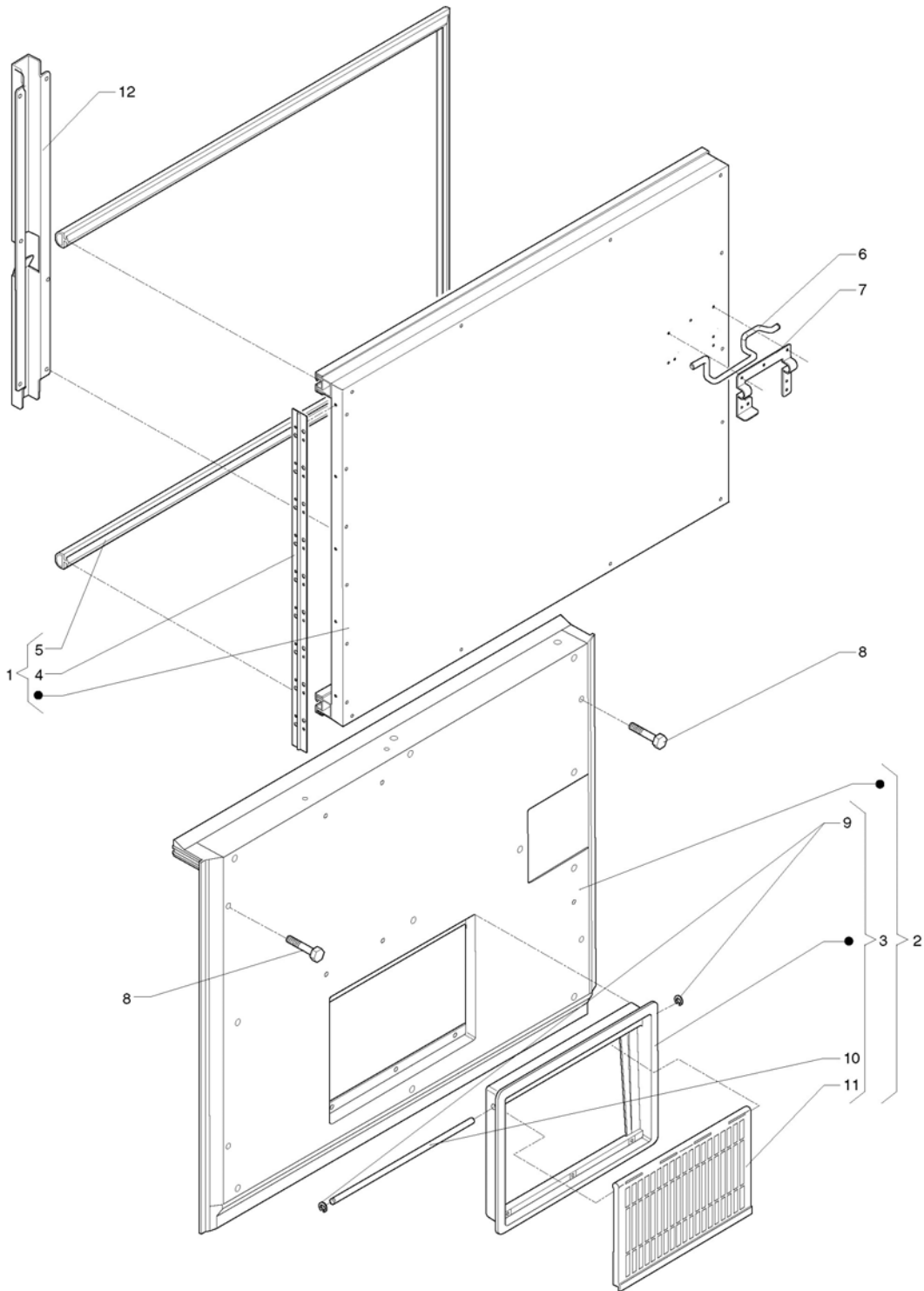


Table :03 - Counter-door

	Code	Description	Notes
1	253934	UPPER SCREEN-DOOR 700	
2	253935	LOWER SCREEN-DOOR 700	
3	0V1484	MOLDING WITH PLATE	
4	253941	HINGE DOUBLE-DOOR	
5	253940	UPPER SCREEN-DOOR SEAL 700	
6	253892	SCREEN-DOOR LATCH BOLT	
7	254116	LATCH PLATE	
8	253868	SCRW M8X50	
9	093754	BENZING COLLAR QUICKBLOCK BQ DIAM MM	
10	985141	PIN ISOLATING DOOR BLADE	
11	986879	SUPPORT	
12	253870	PRODUCTS CONTRAST	

Table :04 - Cabinet

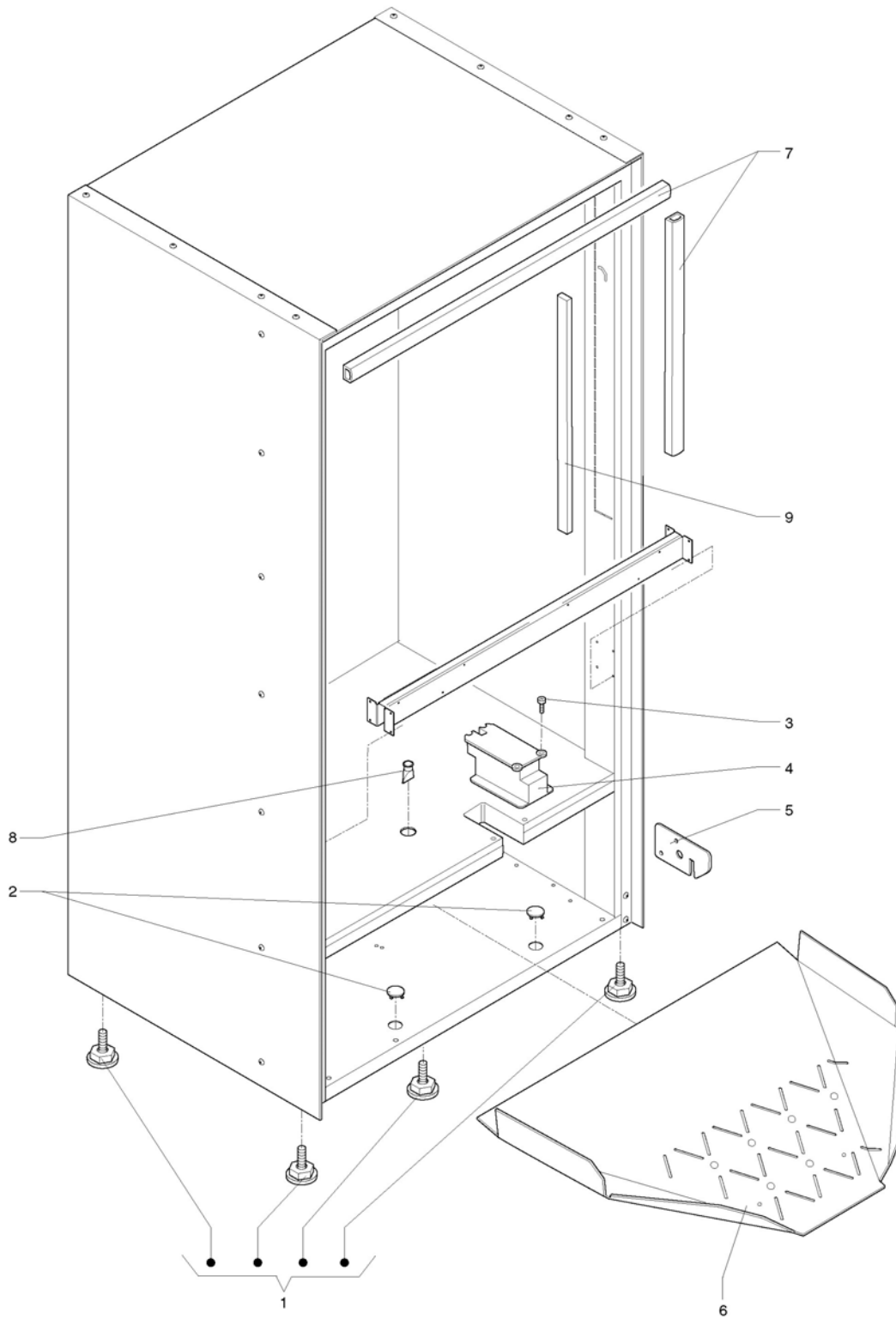


Table :04 - Cabinet

	Code	Description	Notes
1	252124	4 FEET KIT	
2	0V4199	PLUG	
3	987612	EJOT-PT-SCREW 4X12	
4	253897	WIRES SHIELD STOPPER	
5	253881	COUPLING	
6	253898	CHUTE 700	
7	254280	CABINET GASKET	
8	0V0346	DRAIN TUBE	
9	251515	ADHESIVE SEAL (A METER)	

Table :05 - Electric system

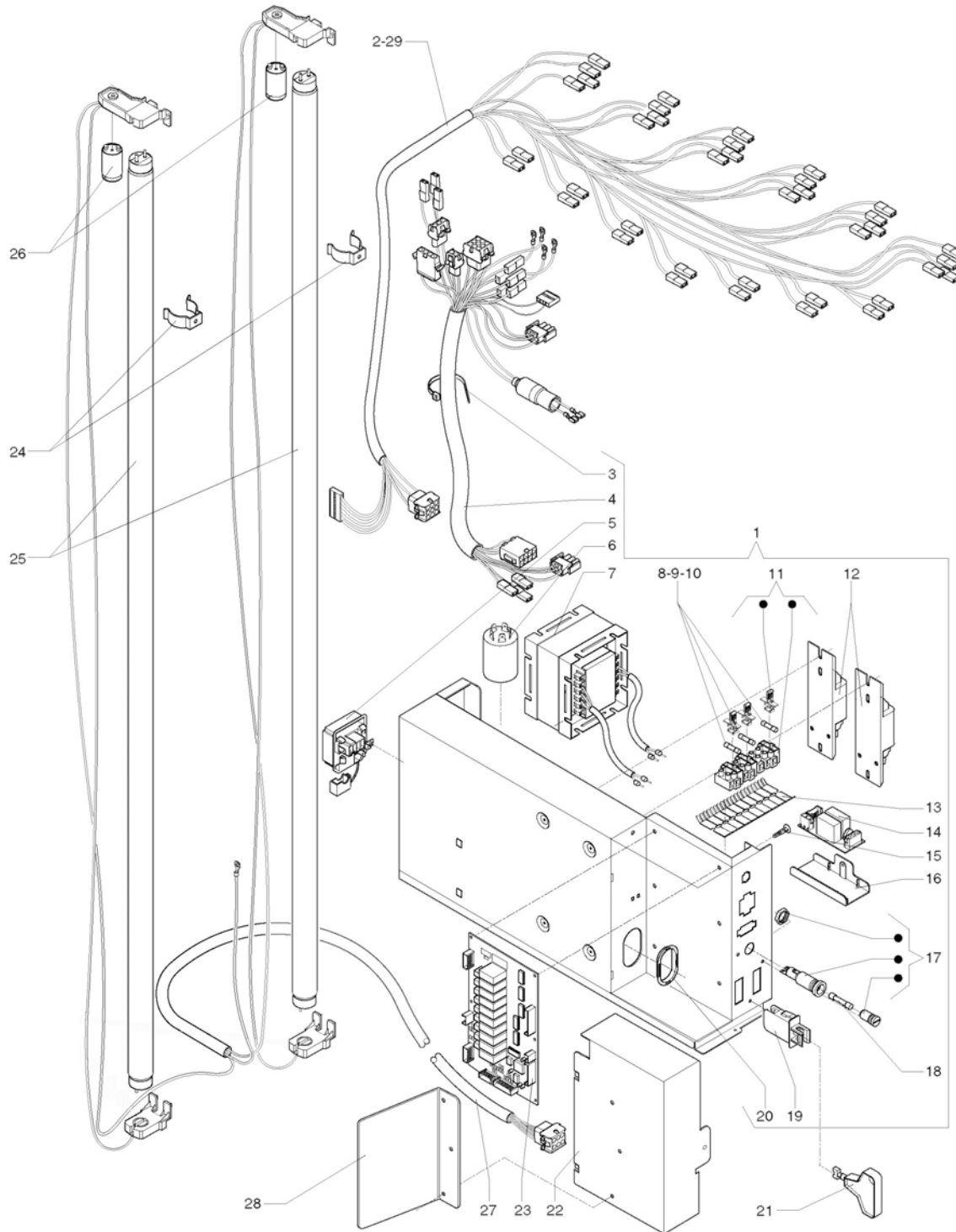


Table :05 - Electric system

	Code	Description	Notes
1	253919	ELECTRICAL PANEL DIESIS	
2	253915	SLIDE WIRING 700/7	
3	090148	CLIP	
4	253938	ELECTRICAL PANEL WIRING	
5	098796	TERMINAL BOARD	
6	0V3512	ELECTRICAL NET FILTER	
7	253937	TRANSFORMER G100 230V 24-24	
8	097097	FUSE 2 AMP.5X20 DELAYED ACT	
9	097259	FUSE 5X20 4A DELAYED ACTION	
10	253939	FUSE 5X20 5AMP DELAYED ACTION	
11	097241	3-POLE TERMINAL BOARD W/CARRIER	
12	987367	36-40WATT BALLAST	
13	097242	SUB-TERMINAL BOARD	
14	0V0015	OUTR CARD	
15	097175	CARD SPACER	
16	094849	COVERING-HOLDER	
17	251863	FUSE HOLDER	
18	095636	FUSE 15 A	
19	097796	SWITCH	
20	093916	WHIPPING OVAL	
21	0V1654	SWITCH KEY	
22	253869	EXTERNAL CARD COVERING	
23	253923	CONTROL BOARD	
24	098337	LAMP-HOLDER HOOKS	
25	985532	NEON LIGHT 36 WATT	
26	091802	STARTER TYPE S10	
27	253917	LAMP WIRING	
28	253906	CONNECTOR COVERING	
29	254283	SLIDE WIRING 700/8-9	
30	254322	LAMP-HOLDER W/STARTER-HOLDER	
31	254323	LAMP-HOLDER	

Table :06 - Carriage

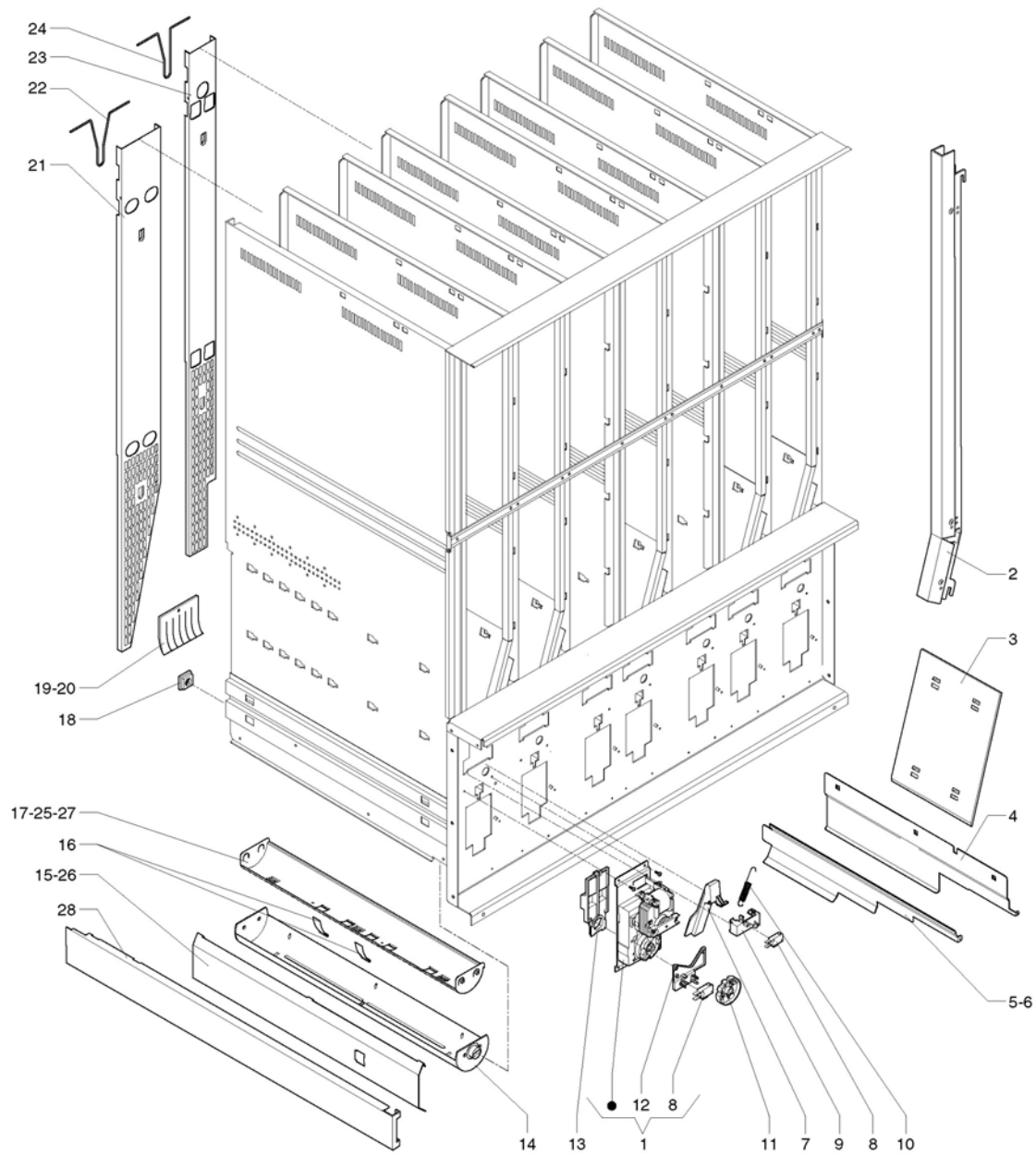


Table :06 - Carriage

	Code	Description	Notes
1	0V1493	GEARMOTOR	
2	254282	CONE-SHAPED BOTTLE GUIDE	
3	0V1508	ANTIFRICTION ELEMENT	
4	253878	BOTTLE PLATE	
5	253877	0.25L CAN PLATE	
6	254106	0.33/0.35 L CAN PLATE	
7	0V1505	EMPTY/FULL PLATE	
8	985834	MICROSWITCH	
9	985460	BLADE-SUPPORT	
10	0V1506	RETURN SPRING	
11	0V1494	MICROSWITCH CONTROL CAM	
12	0V1655	LIMIT SWITCH SUPPORT	
13	0V1500	BUSH WITH DEVIATOR	
14	253889	SLIDE ROTOR	
15	0V1507	SHIM DIAM. 65-66-67	
16	0V1497	ROTOR ANTI-THEFT	
17	253901	ROTOR INSERT DIAM. 65-67	
18	985822	POST. BUSH CARRIAGE ROTOR	
19	253895	COMB FOR DEFLECTOR L=86	
20	253896	COMB FOR DEFLECTOR L=132	
21	253875	DOUBLE BACKCOLUMN	
22	0V1490	DOUBLE BACKCOLUMN SPRING	
23	253876	SINGLE BACKCOLUMN	
24	0V1492	SINGLE BACKCOLUMN SPRING	
25	254114	ROTOR INSERT DIAM. 62/64	
26	0V1745	SHIM DIAM. 62-63-64	
27	254113	ROTOR INSERT DIAM. 59/61	
28	254404	0.25L CAN SPACER	

Table :07 - Cooling unit

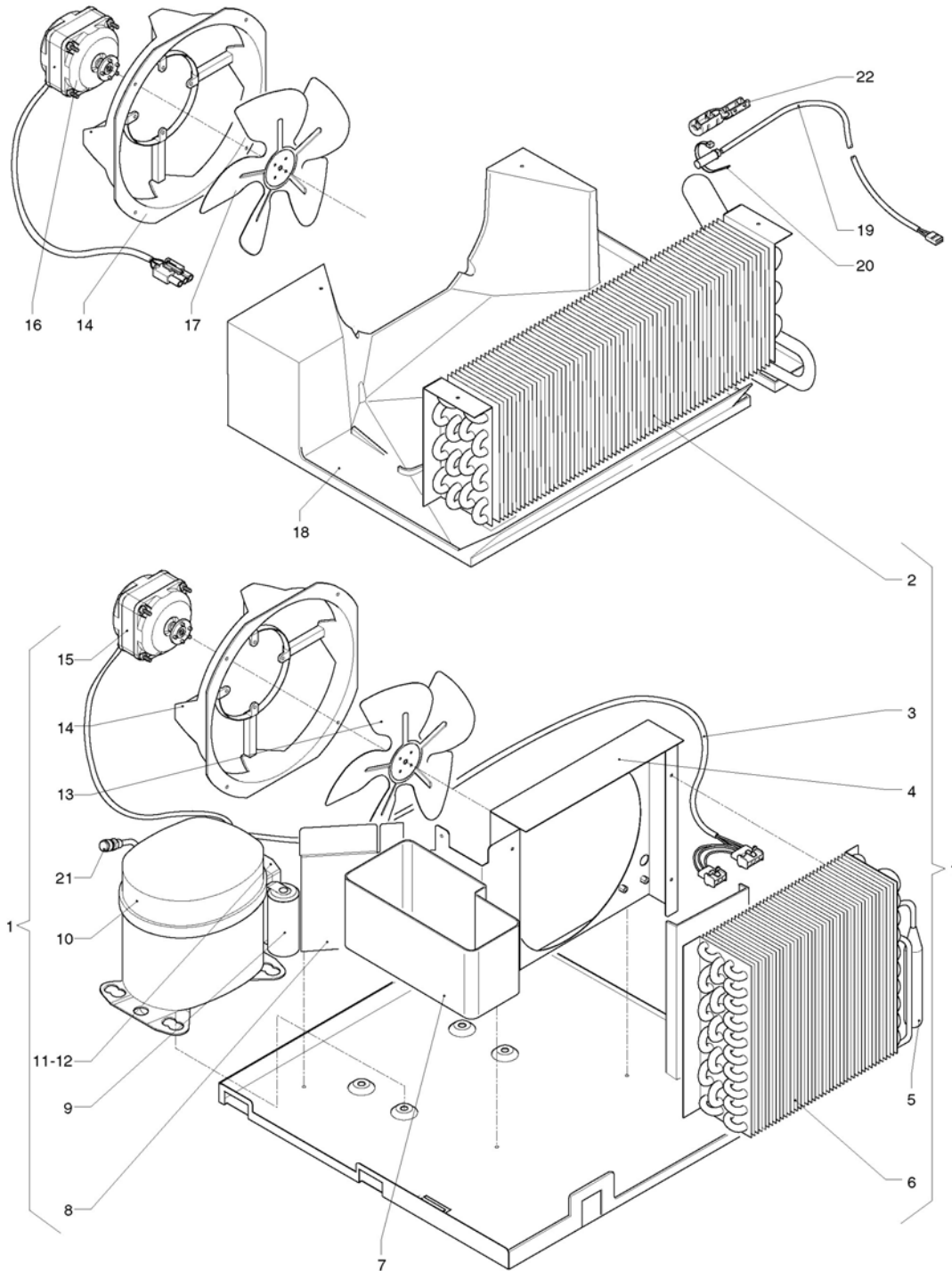


Table :07 - Cooling unit

Code	Description	Notes
1 251714	REFRIGERATING GROUP	
2 251720	EVAPORATOR	
3 251719	COMPRESSOR WIRING	
4 251716	FAN SHIELD	
5 250542	DEHYDRATOR FILTER	
6 251721	CAPACITOR	
7 251704	CONDENSATE COLLECTION TRAY	
8 251717	BASIN COVER	
9 985075	CAPACITOR	
10 986933	COMPRESSOR GP 14 TB R134	
11 985074	STARTING RELAY COMPRESSOR	
12 0V1779	THERMOPROTECTOR COMPRESSOR	
13 250538	230-28° FAN WHEEL	
14 251718	COOLING FAN CONVEYOR	
15 254807	ELECTRIC FAN 16WATT 50/60HZ	
16 253926	ELECTRIC FAN	
17 0V3517	200x34 FAN	
18 253902	CELL TRAY	
19 253918	TEMPERATURE PROBE	
20 090148	CLIP	
21 985603	RECHARGE VALVE	
22 253903	PROBE COVER	

Table :08 - Pin and connectors

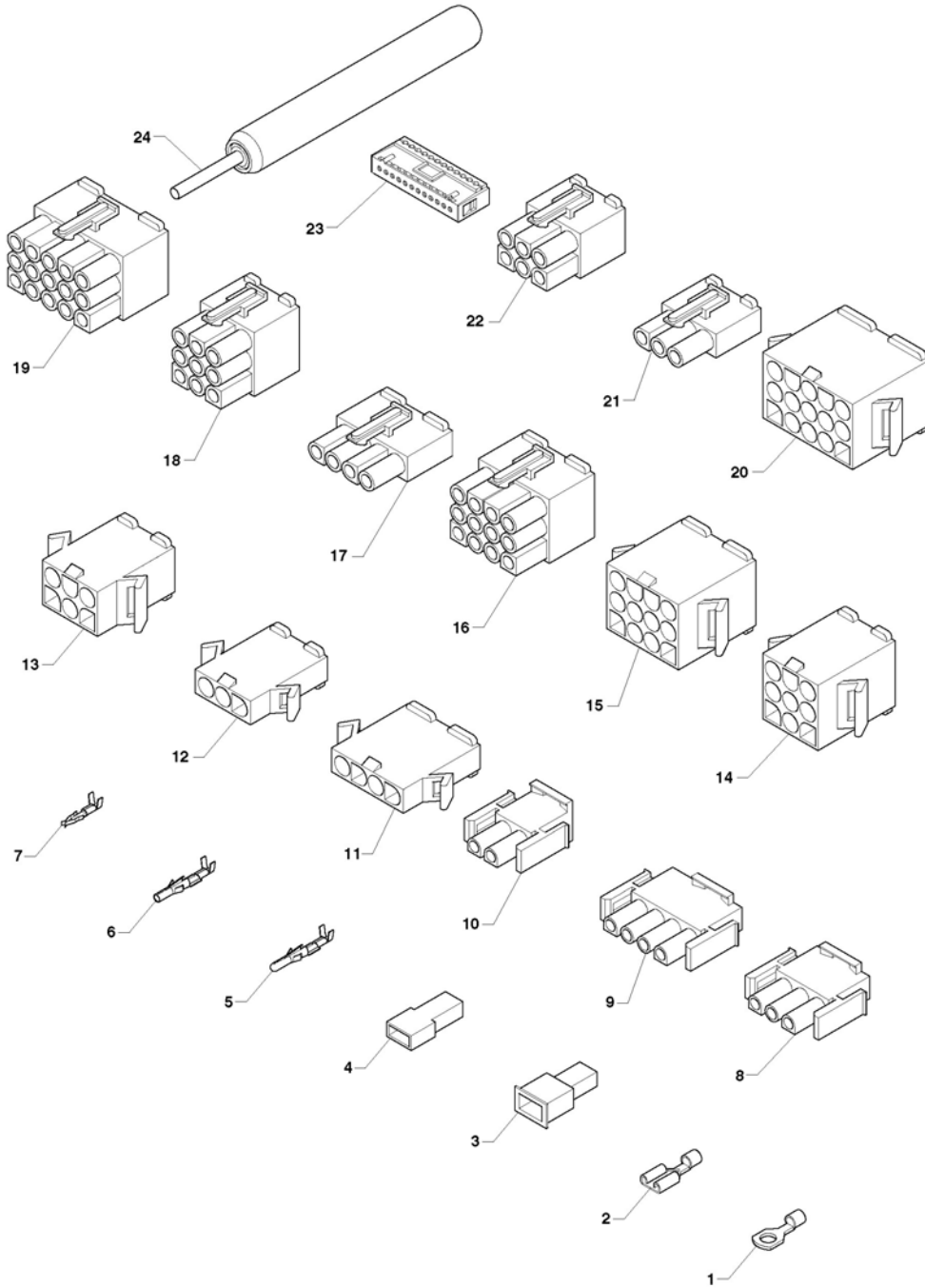


Table :08 - Pin and connectors

	Code	Description	Notes
1	090957	EYELET TERMINAL	
2	090959	FASTON W/O TONGUE	
3	091192	FASTON COVER	
4	090247	FEMALE FASTON COVER	
5	095955	TERMINAL MALE	
6	096136	TERMINAL FEMALE	
7	094405	TERMINAL FEMALE 2.5	
8	094954	FEMALE HOLDER CONNECTOR 3-WAYS	
9	098062	4-WAY CONNECTOR MATE-N-LOK AMP	
10	094955	FEMALE HOLDER CONNECTOR 2-WAYS	
11	0V0809	4-PIN CONNECTOR/P MOLEX 3191	
12	0V0808	3-PIN CONNECTOR/P MOLEX 3191	
13	0V0810	6-PIN CONNECTOR/P MOLEX 3191	
14	0V0811	9-PIN CONNECTOR/P MOLEX 3191	
15	0V0812	12-PIN CONNECTOR/P MOLEX 3191	
16	0V0818	12-PIN CONNECTOR/P MOLEX 3191	
17	0V0815	4-PIN CONNECTOR/P MOLEX 3191	
18	0V0817	9-PIN CONNECTOR/P MOLEX 3191	
19	0V0819	15-PIN CONNECTOR/P MOLEX 3191	
20	0V0813	15-PIN CONNECTOR/P MOLEX 3191	
21	0V0814	3-PIN CONNECTOR/P MOLEX 3191	
22	0V0816	6-PIN CONNECTOR/P MOLEX 3191	
23	094961	FEMALE HOLDER CONNECTOR P.I. 12-W	
24	0V0820	MOLEX CONTACT PULLER	
