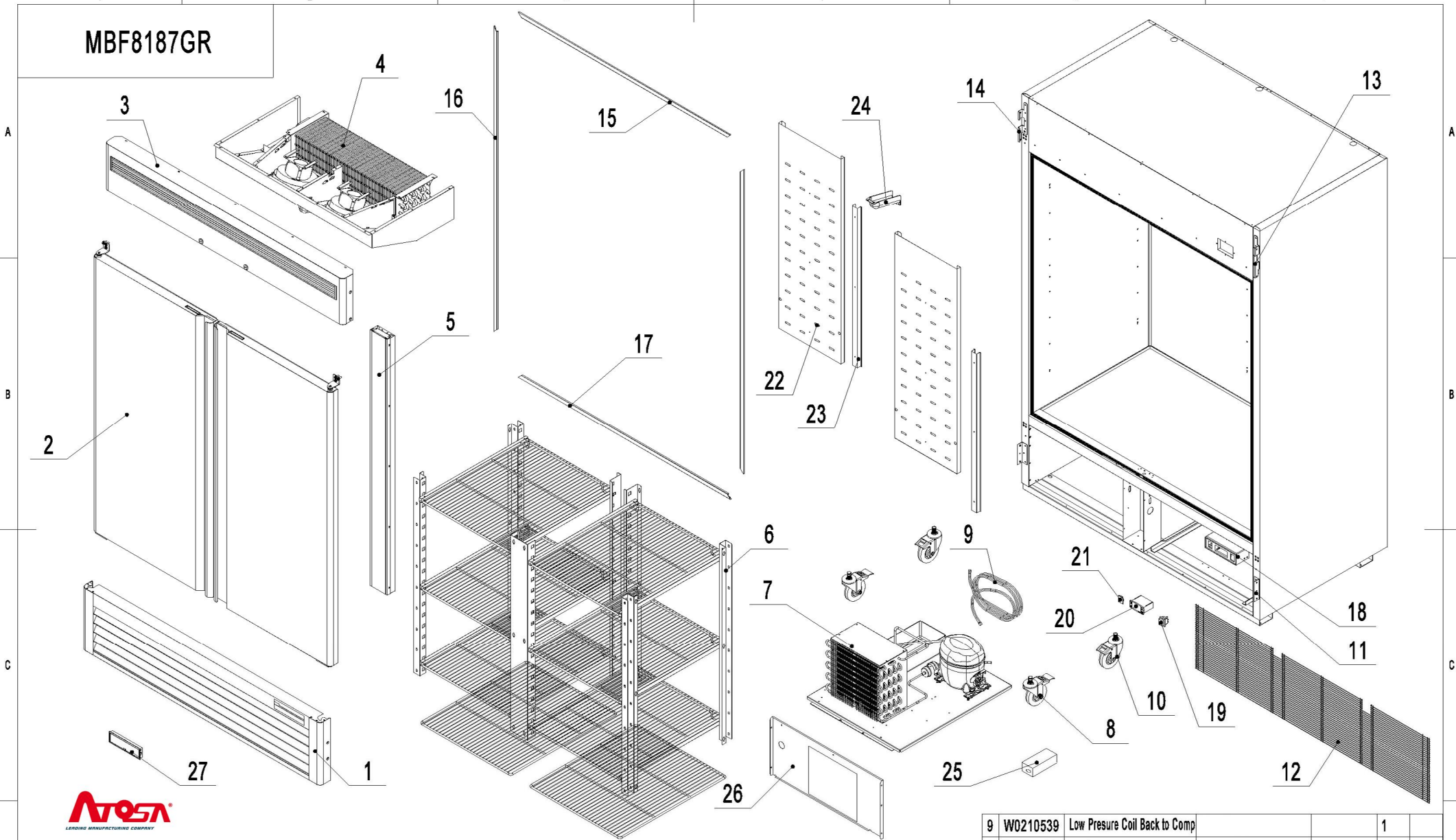


MBF8187GR



27	W0409887	Controller Cover		1	18	W0409883	Controller Braket		1
26	85031901	Wind deflector unit	GI	1	17	W0410447	Bottom Frame Cover		1
25	W0399115	LED Power	15W	1	16	W0410446	Left-Right Frame Cover		2
24	W0409081	A drain protection	ABS	1	15	W0410448	Top Frame Cover		1
23	80011041	Back wind deflector stents	SUS430	2	14	85041610	Left-top Fastener For Top Panel		1
22	80021040	Back wind deflector	SUS430	2	13	85041609	Right-top Fastener For Top Panel		1
21	W0409884	Switch plug	ABS	1	12	W0402634	Back Bottom Barriar		1
20	W0302185	Digital Controller	(BLUE)	1	220V	11	85041801	Fastener For Bottom Panel	2
19	W0308019	Power Switch	(GREEN)	1	220V	10	B0604413	4" Castor Without Brake	2

9	W0210539	Low Pressure Coil Back to Comp							1	
8	B0604421	4" Castor With Brake							2	
7	8187GR-CCA	Comp&Cond Assembly							1	
6	8183GR-SA	Shelf Assembly							1	
5	8187-MA	Mullion Assembly							1	
4	8187GR-EA	Evaporator Assembly							1	
3	8503GR-TPA	Top Panel Assembly							1	
2	8183-DA	Door Assembly							1	
1	85030420	Bottom Panel							1	
	Material code	English Name							MATERIAL	QUANTITY Remark

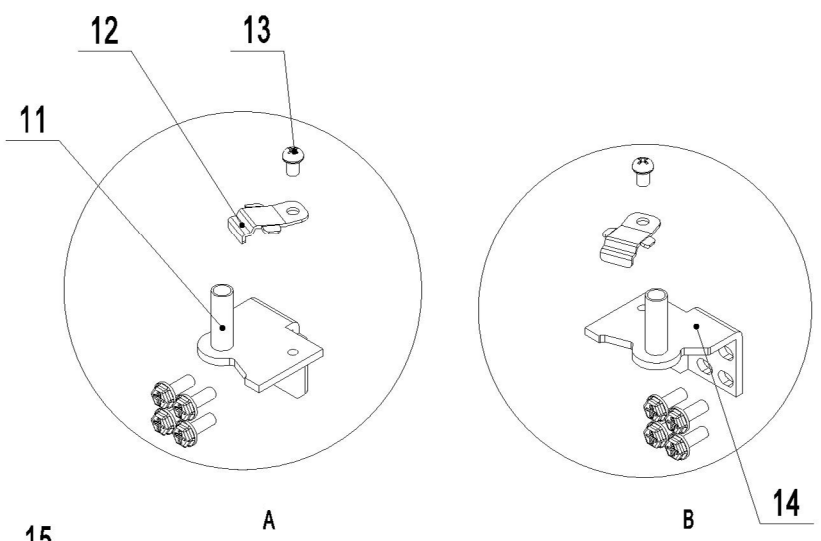
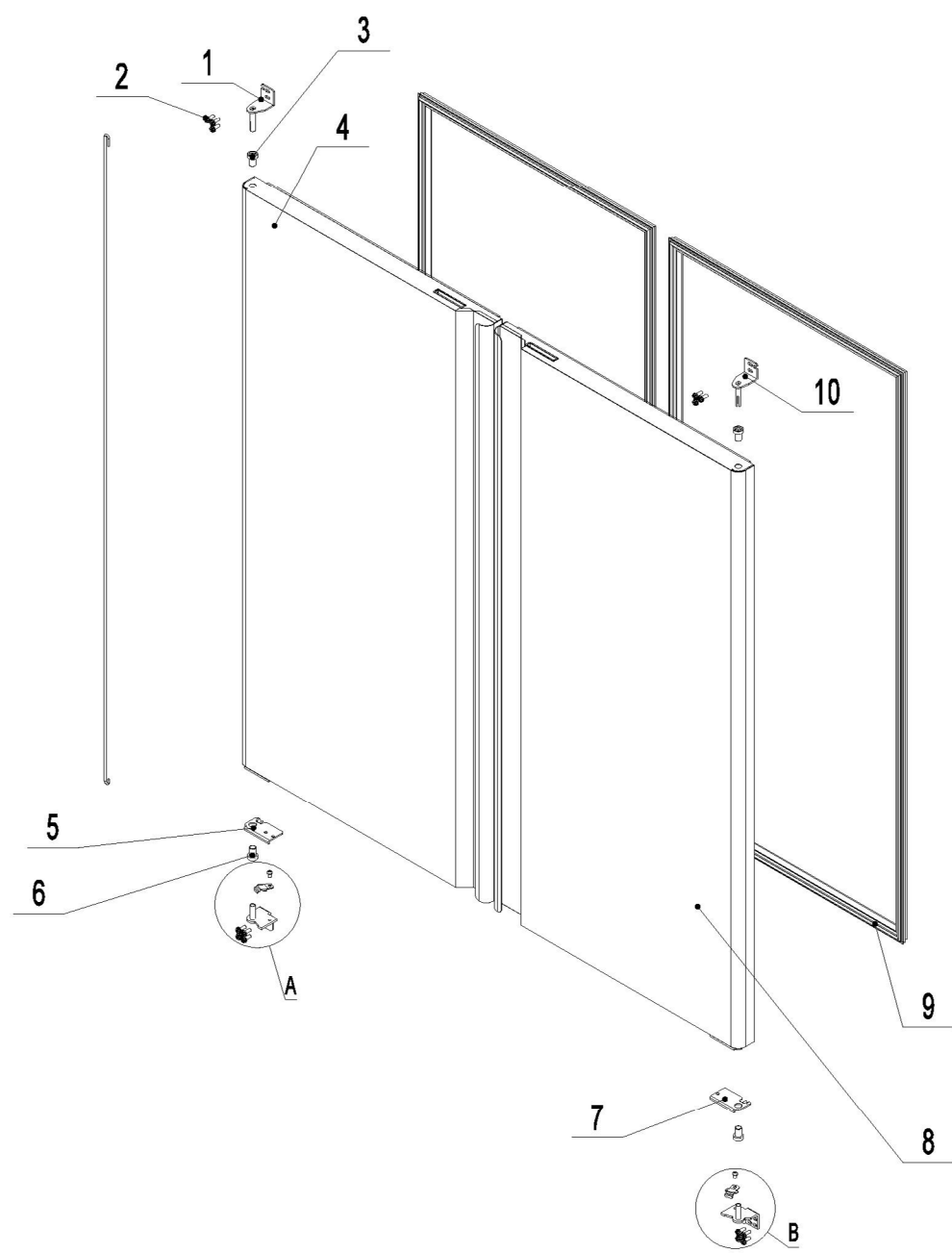
8183-DA

A

B

C

D



15	W0604401	Door Spring Bar			2	
14	W0604024	Right-Bottom Hinge		SUS304	1	
13	B0507015	SS Screw M6x8			2	
12	W0604038	Door Stopper-Bottom		SUS304	2	
11	W0604025	Left-Bottom Hinge		SUS304	1	
10	W0604022	Right-Top Hinge		SUS304	1	
9	W0404601	Door Gasket			2	
8	85040201	Right Door			1	
7	W0604030	Door Brake -Right		SUS304	1	
6	W0409843	Door Shaft Sleeve-Bottom		PA66	2	
5	W0604031	Door Brake -Left		SUS304	1	
4	85040204	Left Door			1	
3	W0409842	Door Shaft Sleeve-Top		PA66	2	
2	B0506077	Screw M6x16			14	
1	W0604023	Left-Top Hinge		SUS304	1	
Material code	English Name			MATERIAL	QUANTITY	Remark

1

2

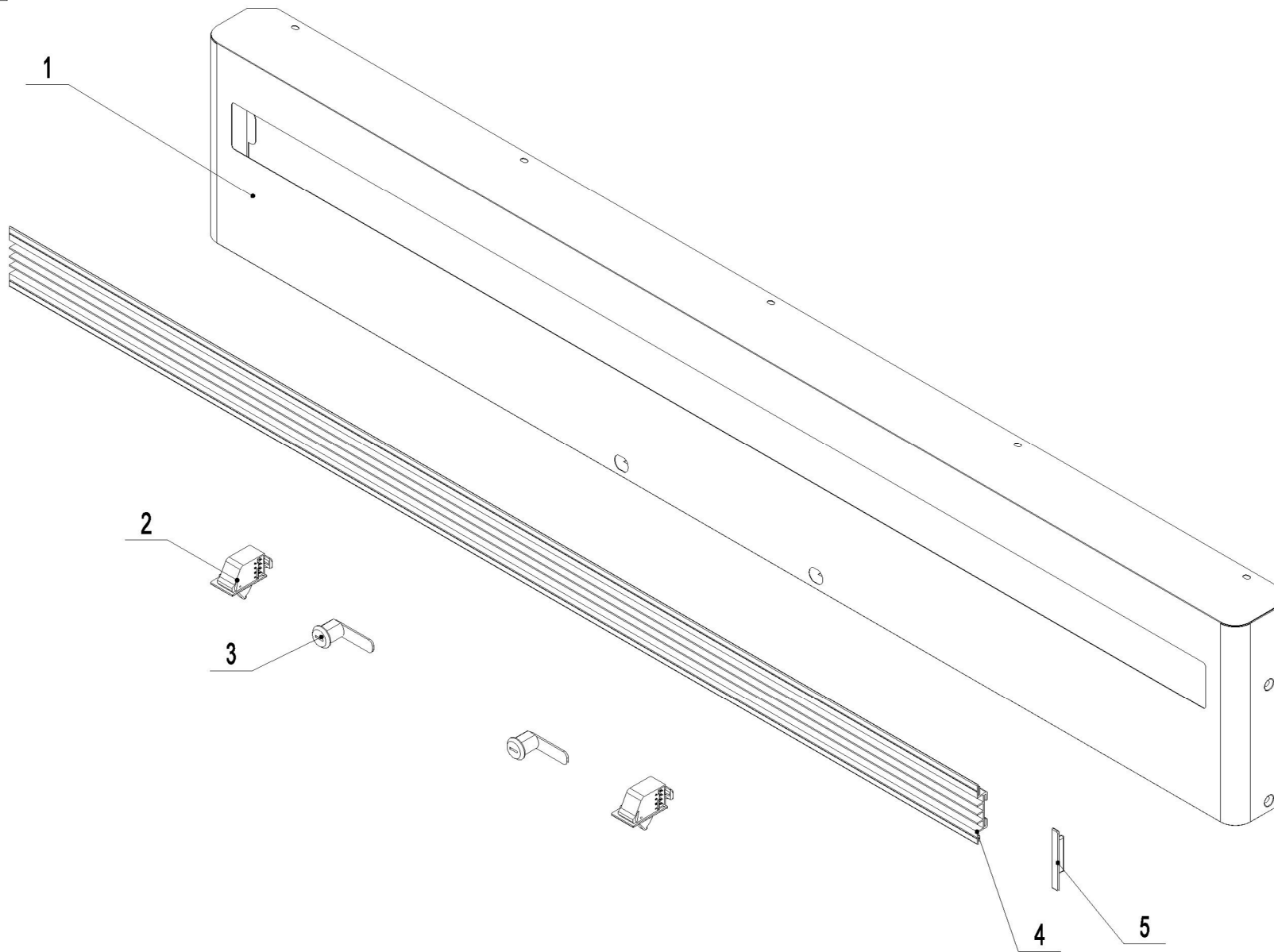
3

4

5

6

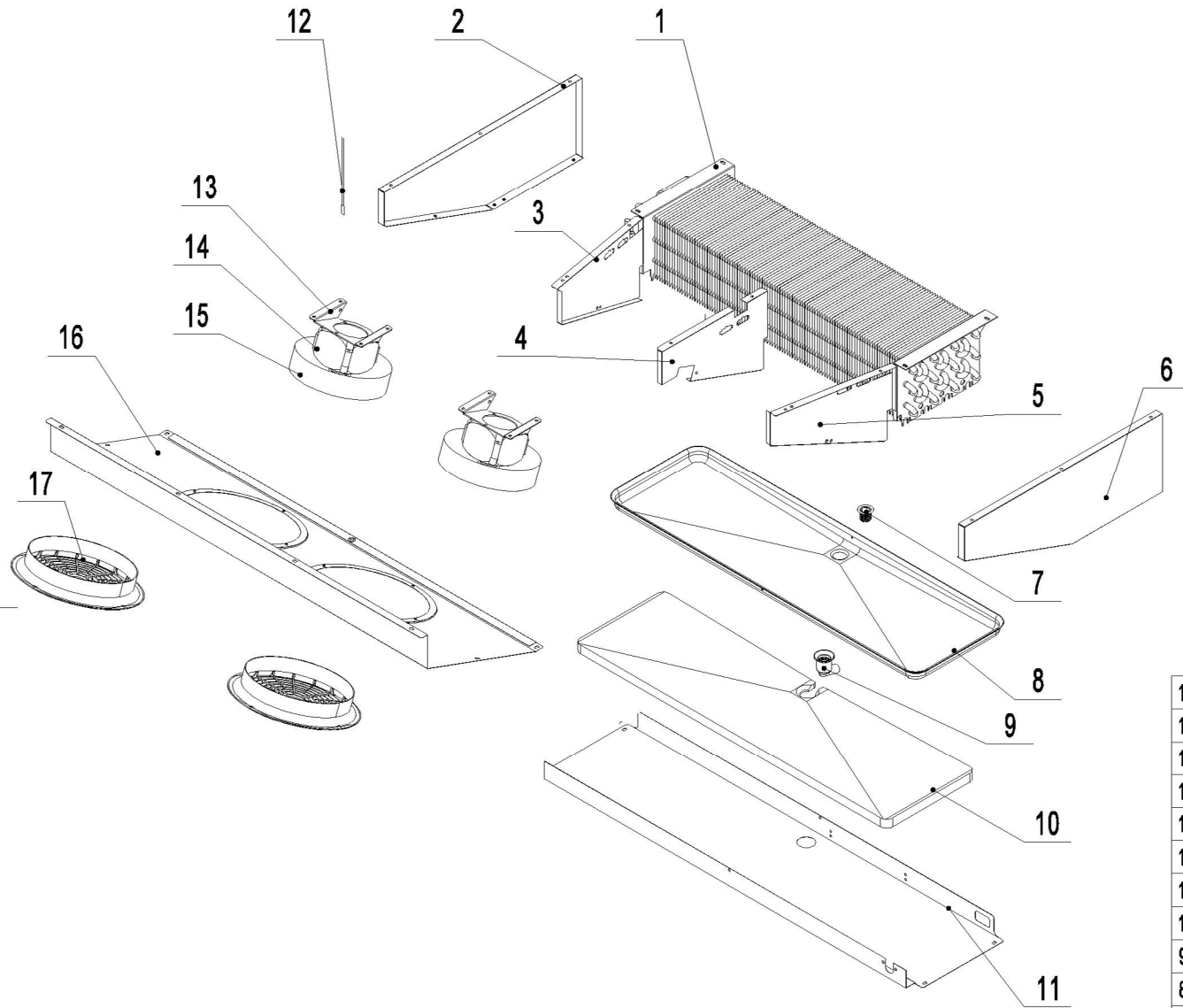
8503GR-TPA



5	W0409272	Black Grille Clip			2	
4	W0410352	Black Grille			1	

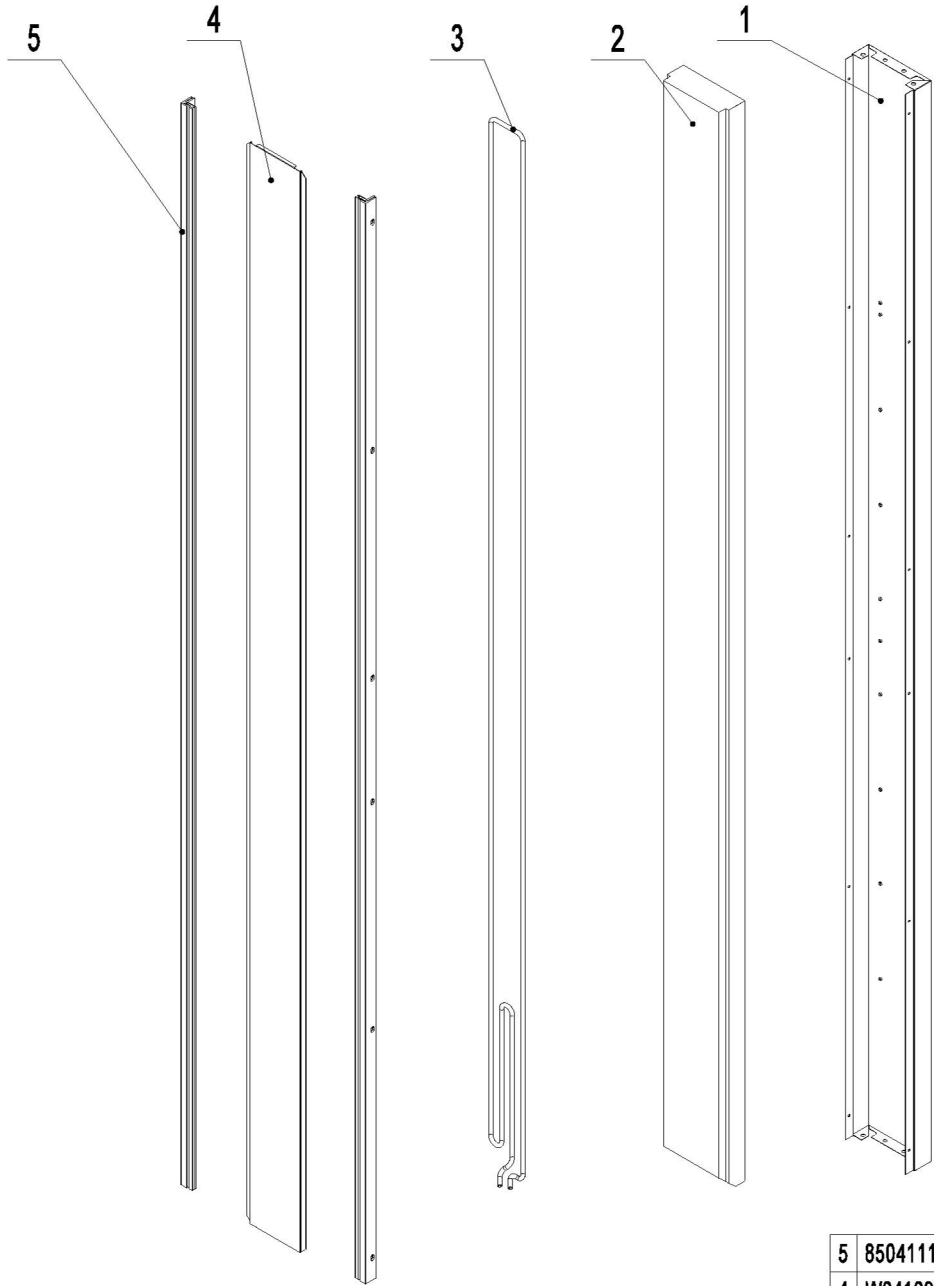
3	W0604007	Lock				2	
2	W0308012	Door Switch				2	
1	85031422	Top Panel				SUS430	1
	Material code	English Name				MATERIAL	QUANTITY Remark

8187GR-EA



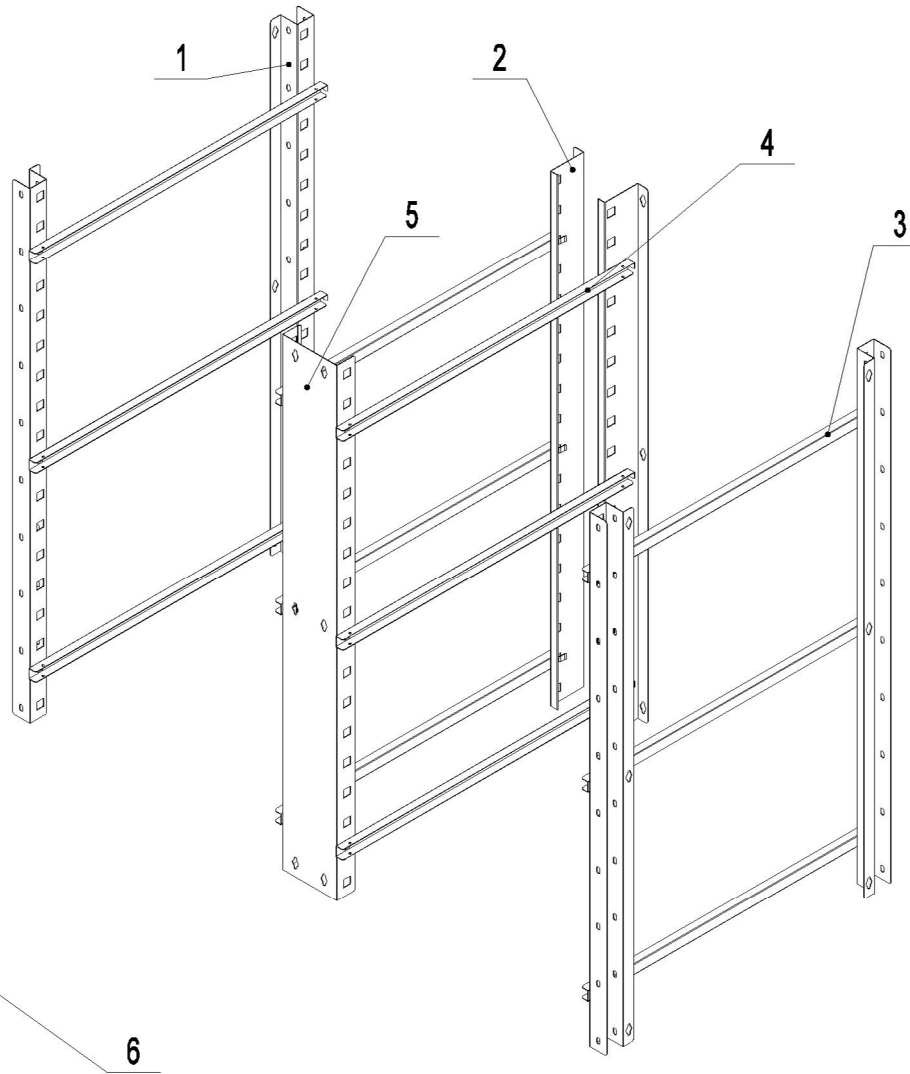
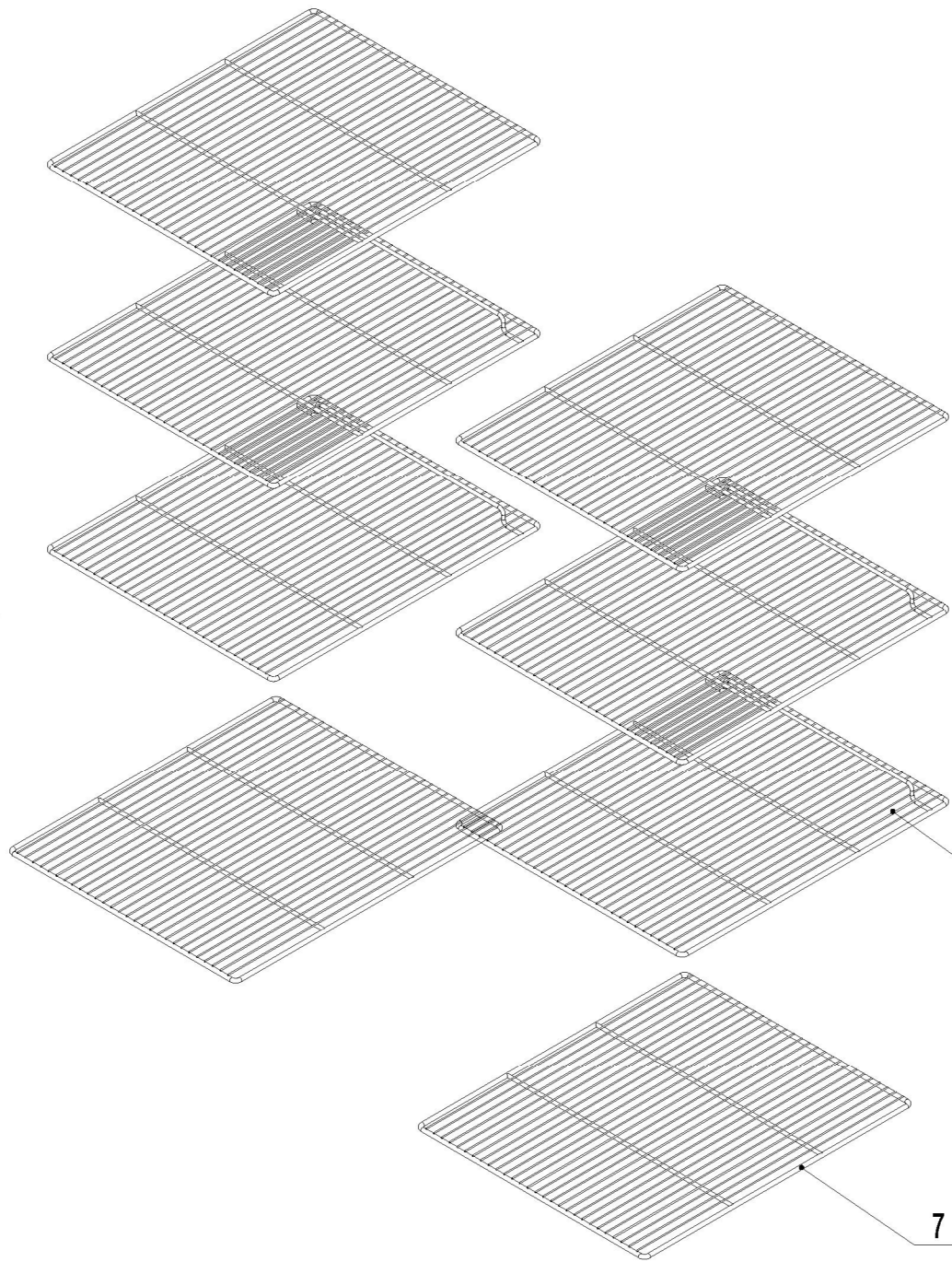
17	W0409080	Evap Fan Motor Cover	ABS	2	
16	8114120201	Evap Front Cover	SUS430	1	
15	W0301078	Evap Fan Blade	Ø172	2	
14	W0301913	Evap Fan Motor		2	220V
13	80021501	Evap Fan Braket	SUS304	2	
12	W0302316	Room Temp Probe		1	
11	8114120101	Drain Pan Cover	SUS430	1	
10	W0803012	Drain Pan Foam	EPS	1	
9	W0409858	Drain Hose Connector A	PA66	1	
8	80022003	Drain Pan	AL	1	
7	W0409859	Drain Hose Connector B	PA66	1	
6	80021207	Evap Right Cover	SUS430	1	
5	80021204	Right Air Lane Cover	SUS430	1	
4	80021205	Middle Air Lane Cover	SUS430	1	
3	80021203	Left Air Lane Cover	SUS430	1	
2	80021206	Evap Left Cover	SUS430	1	
1	W0202118	Evaperator	AL TP2-M	1	
	Material code	English Name	MATERIAL	QUANTITY	Remark

8187-MA



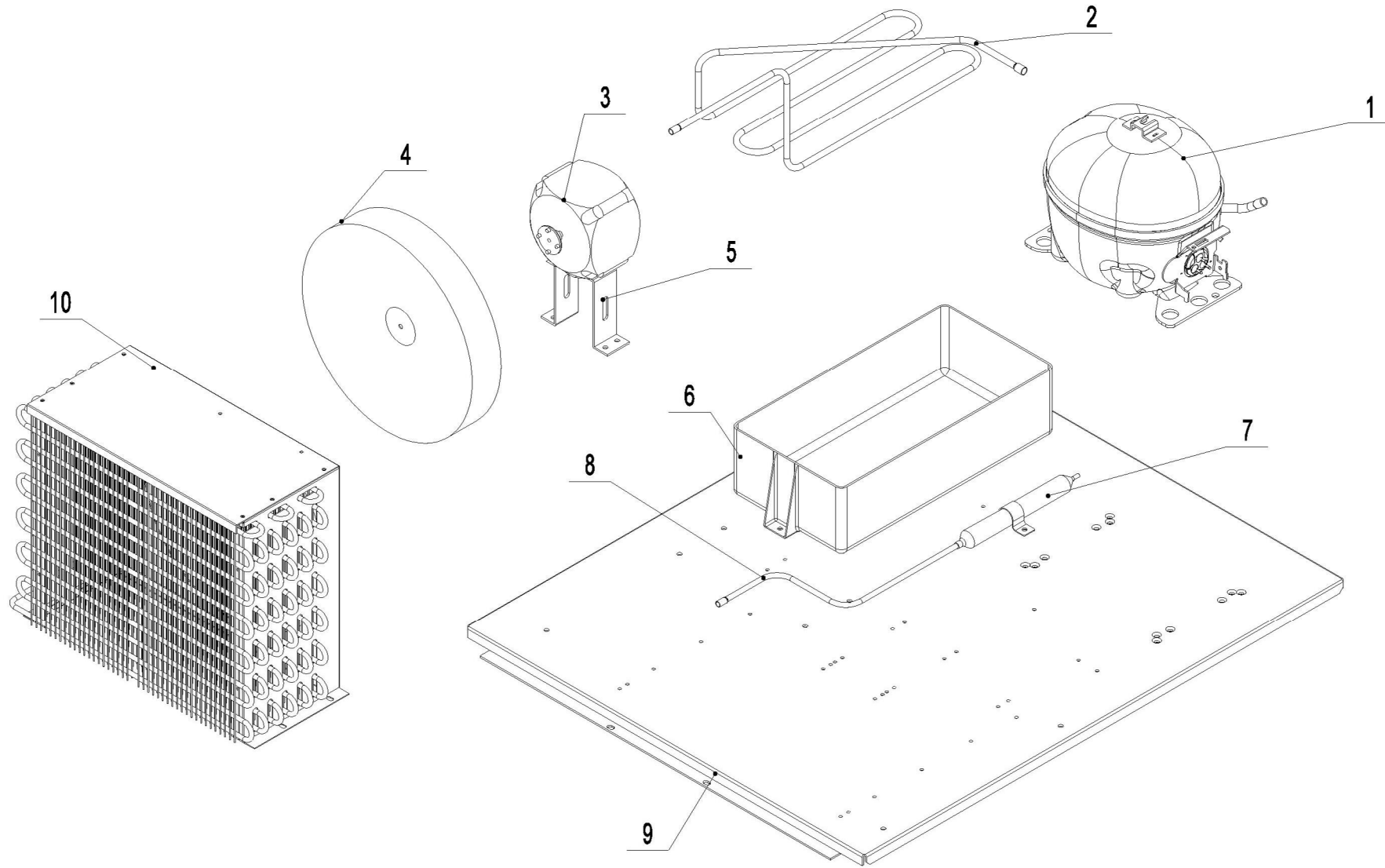
5	85041111	Mullion Front Cover		SUS430	1	
4	W0410976	Mullion Plastic Connector		PVC-H	2	
3	W0310111	Mullion Heater			1	220V
2	W0499086	Mullion Foam		EPS	1	
1	85041110	Mullion Back Cover		SUS430	1	
	Material code	English Name		MATERIAL	QUANTITY	Remark

8183GR-SA



7	W0402370	Bottom Shelf			2	
6	W0402369	Shelf			6	
5	85047404	Pilastor For Shelf(F)(M)			1	
4	80037407	shelf left chute		SUS201	6	
3	80037408	shelf right chute		SUS201	6	
2	81177402	Pilastor For Shelf(B)(M)			2	
1	80037402	Pilastor For Shelf		SUS430	4	
	Material code	English Name		MATERIAL	QUANTITY	Remark

8187GR-CCA



5	80061601	Condenser Fan Braket		GI	1		
4	W0301061	Condenser Fan Blade		AL/Ø230	1		
3	W0301907	Condenser Fan			1	220V	
2	W0210540	High Pressure Coil		TP2-M	1		
1	W0201135	Compressor			1	220V	
	Material code	English Name		MATERIAL	QUANTITY	Remark	
10	W0203074	Condenser		GI	1		
9	85030501	Compressor Board		GI	1		
8	W0210541	Connecting Coil to Condenser		TP2-M	1		
7	W0204101	Dry Filter			1		
6	W0411152	Plastic Drain Pan		ABS	1		