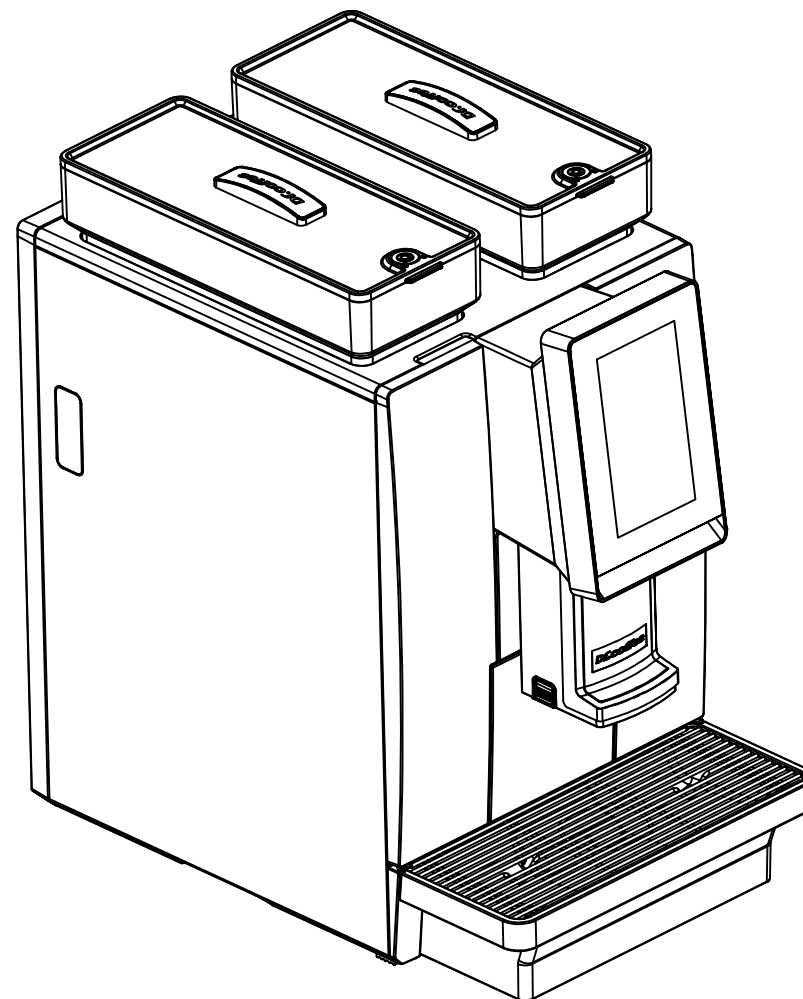


# Minibar Explosive view

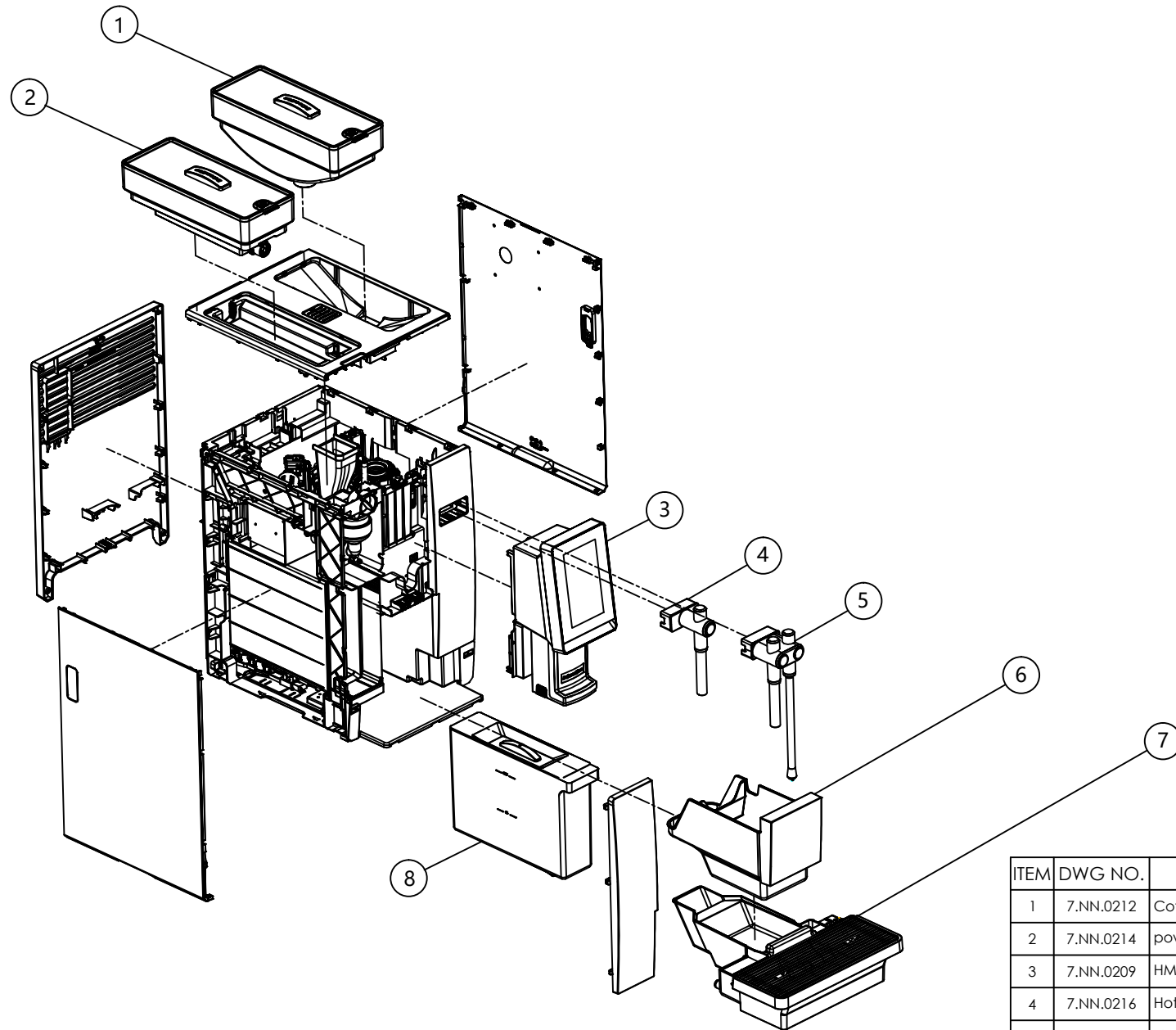
---

ISSUE: 01

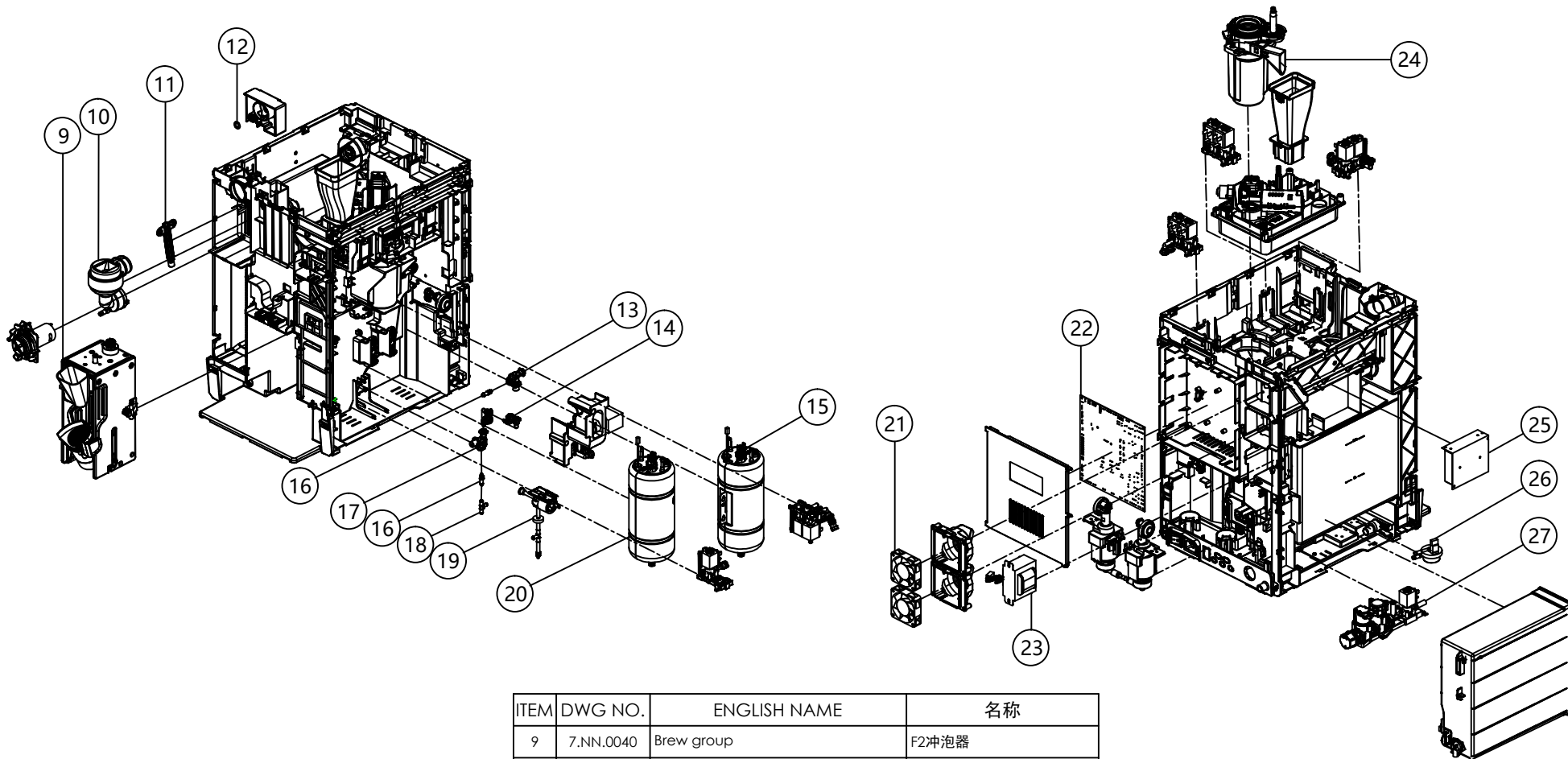


# Content

Appearance group.....	01
Body holder.....	02
Coffee bean&powder box.....	03
Water tank group.....	04
Water tank shell group.....	05
HMI assembly.....	06
Guide rail assembly.....	07
Drip tray.....	08
Brew group.....	09
Boiler group.....	10
Pump group.....	11
Ginder group.....	12
Driving and fixing frame set of foam starter.....	13
Solenoid valve group.....	14
Solenoid valve group.....	15
Solenoid valve group.....	16
Pinch valve group.....	17
Blender motor group.....	18

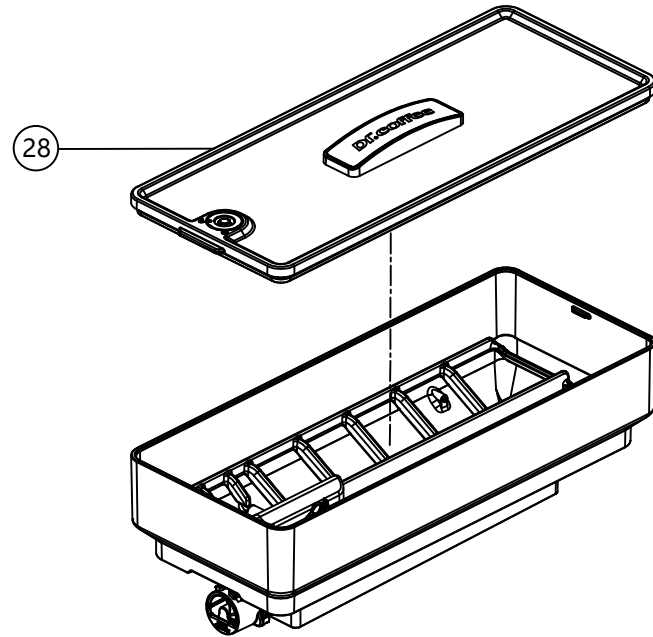
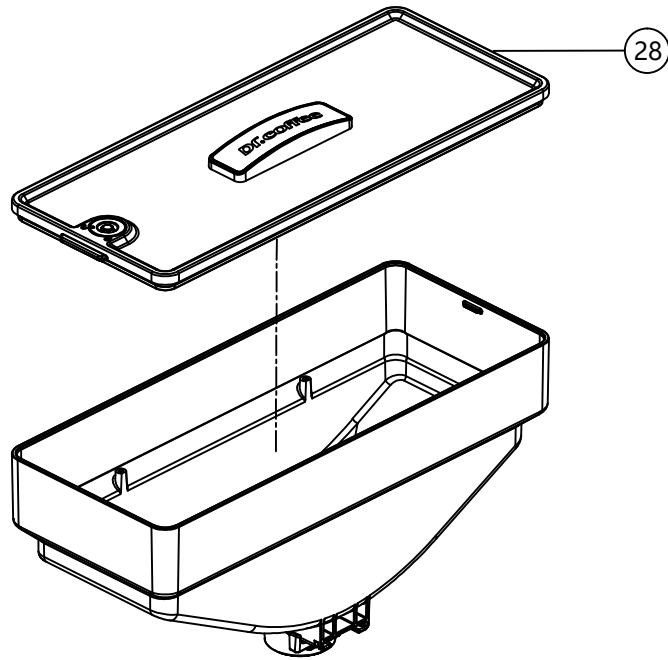


ITEM	DWG NO.	ENGLISH NAME	名称
1	7.NN.0212	Coffee bean box	Minibar豆盒组
2	7.NN.0214	powder box	Minibar粉盒组
3	7.NN.0209	HMI assembly	Minibar HMI显示面板组
4	7.NN.0216	Hot water wand group	Minibar单热水杆组
5	7.NN.0215	Steam&hot water wand group	Minibar蒸汽热水杆组
6	7.NN.0221	Bean container Group	Minibar渣盒组
7	7.NN.0220	Drip tray	Minibar蓄水盘组
8	7.NN.0045	Water tank	F2水箱组

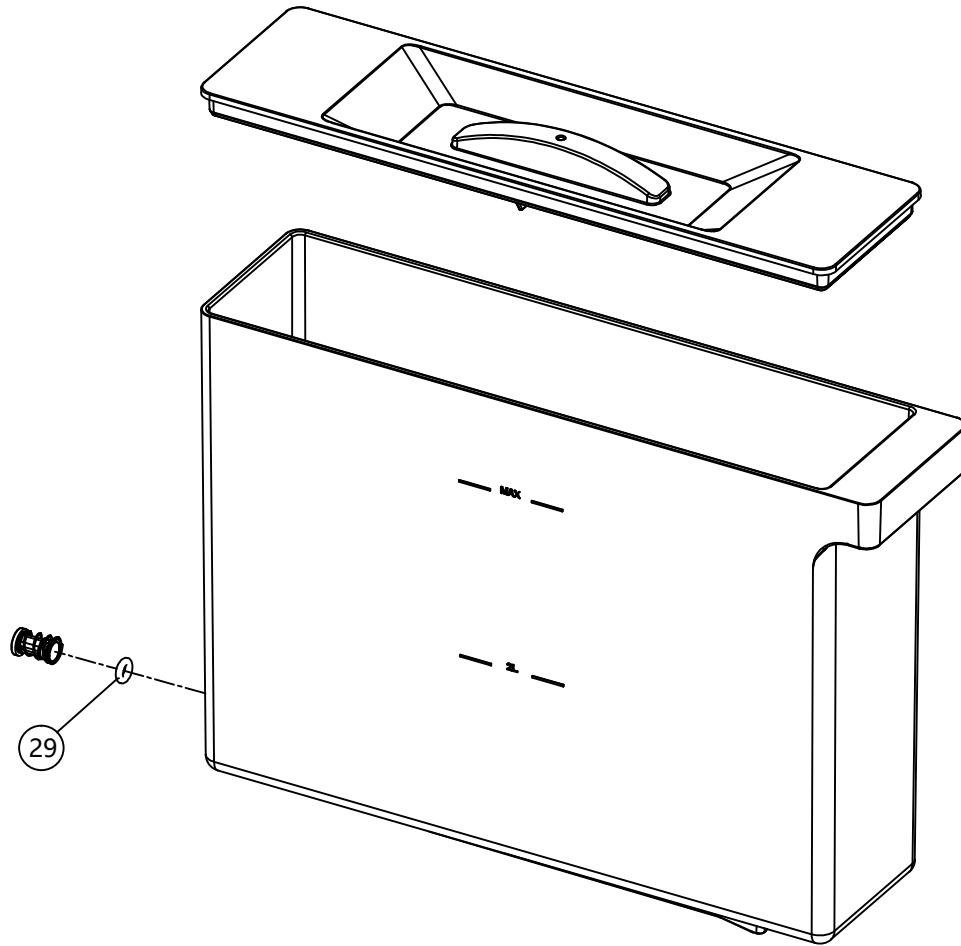


ITEM	DWG NO.	ENGLISH NAME	名称
9	7.NN.0040	Brew group	F2冲泡器
10	7.NN.0070	Blender chamber group	F2 plus 搅拌室组
11	8.D.3.0017	Grinder adjust knob	磨豆调节柄
12	8.G.1.0018	O-ring φ9.5*φ2.65	F2搅拌器进水密封圈
13	7.NN.0206	Dispenser valve 5W	两通蓄压阀组-5bar
14	8.S.1.0059	Fitting	F型接头
15	7.NN.0247	Hot water boiler group	Minibar热水锅炉组
16	8.S.1.0350	Hose connector(5*9)	软管接头 (5*9)
17	7.NN.0207	Dispenser valve 15W	两通蓄压阀组-15bar
18	8.S.1.0319	3 way hose connector	三通软管接头9mm
19	7.NN.0248	Air inlet valve	Minibar气阀组
20	7.NN.0246	Steam boiler group	Minibar蒸汽锅炉组

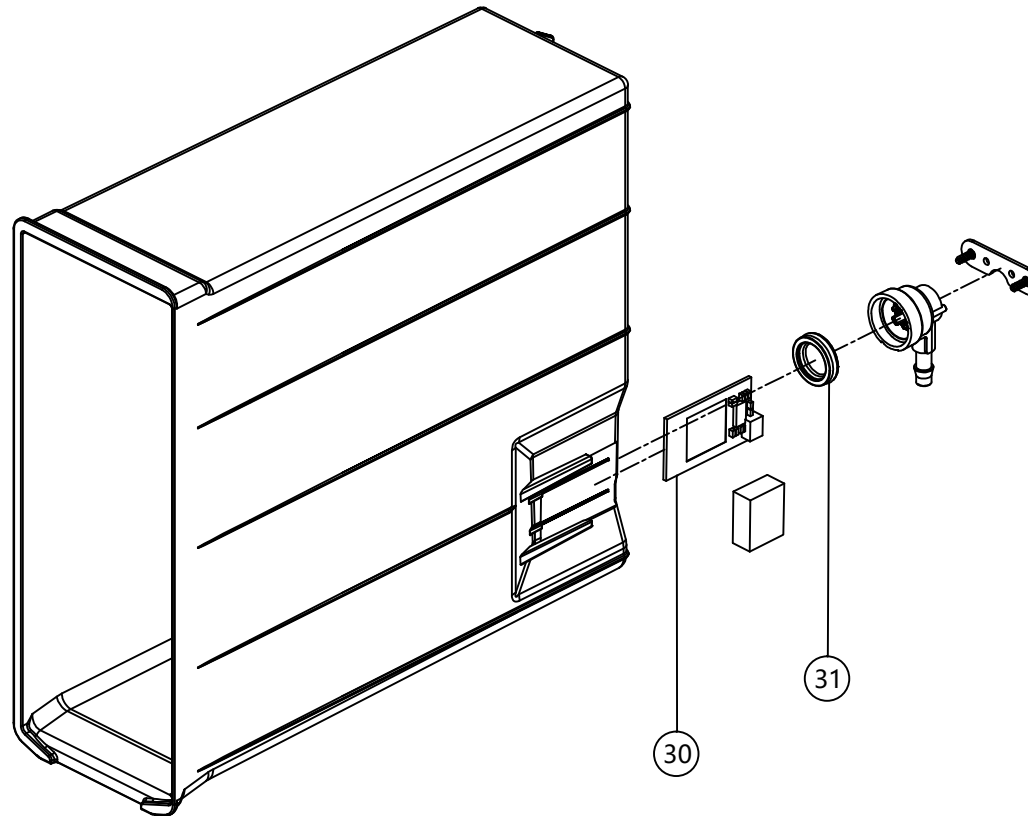
ITEM	DWG NO.	ENGLISH NAME	名称
21	8.D.3.0019	Fan	风扇
22	8.D.1.0026V1	Control PCBA	F2主控板
23	8.D.3.0037	Transformer	F11变压器
24	7.NN.0205	Ginder group	Minibar磨豆组
25	8.D.3.0102	Brew motor group	明纬开关电源50W
26	8.D.3.0082	Flowmeter 0° (2.0mm)	流量计0度 (2.0mm)
27	7.NN.0251	Water inlet assembly	Minibar自动进水阀组



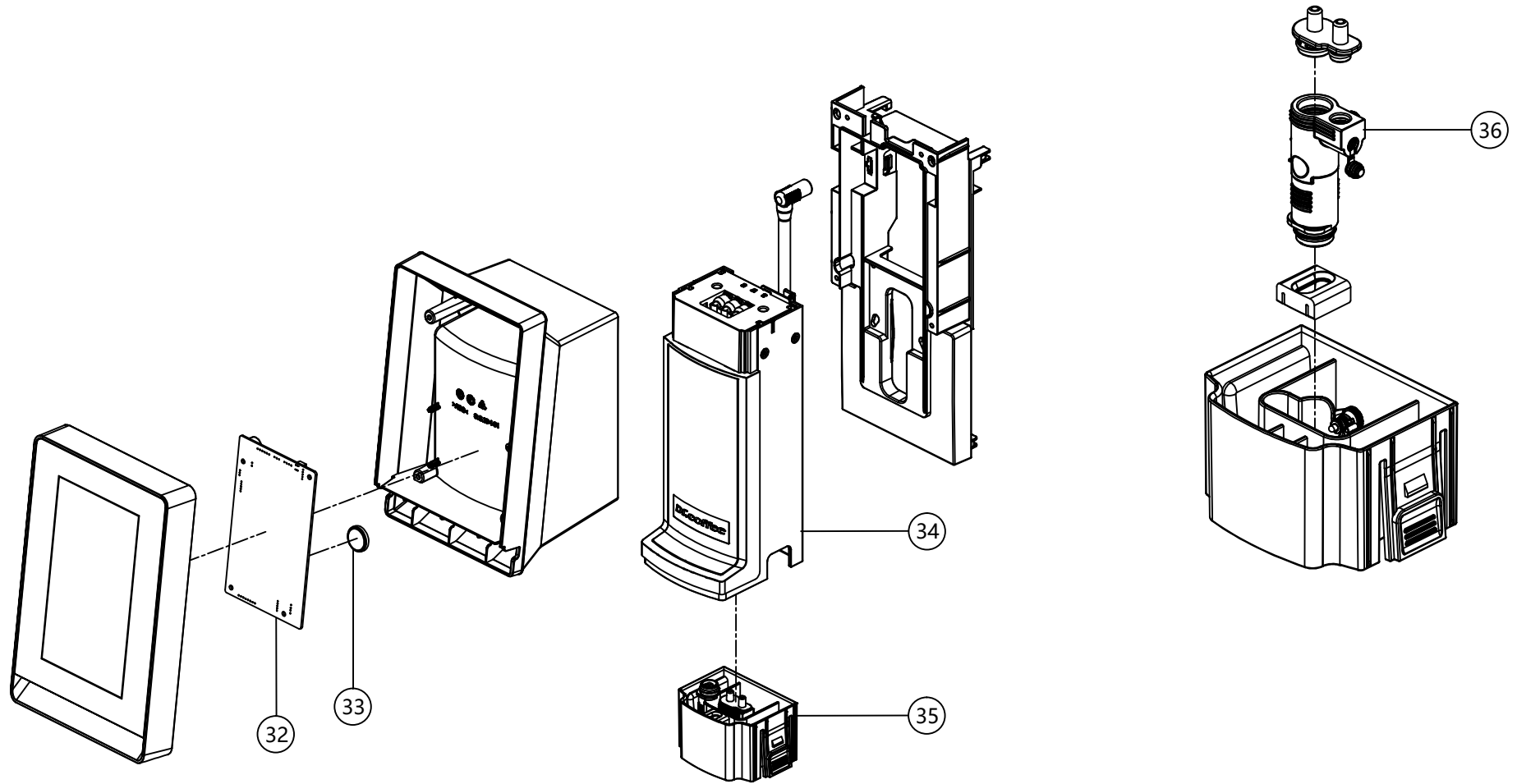
ITEM	DWG NO.	ENGLISH NAME	名称
28	7.NN.0213	Bean&powder container cover	Minibar豆盒&粉盒盖组



ITEM	DWG NO.	ENGLISH NAME	名称
29	8.G.1.0001	O-ring $\phi 5.0 \times \phi 3.0$	水箱止逆阀密封圈

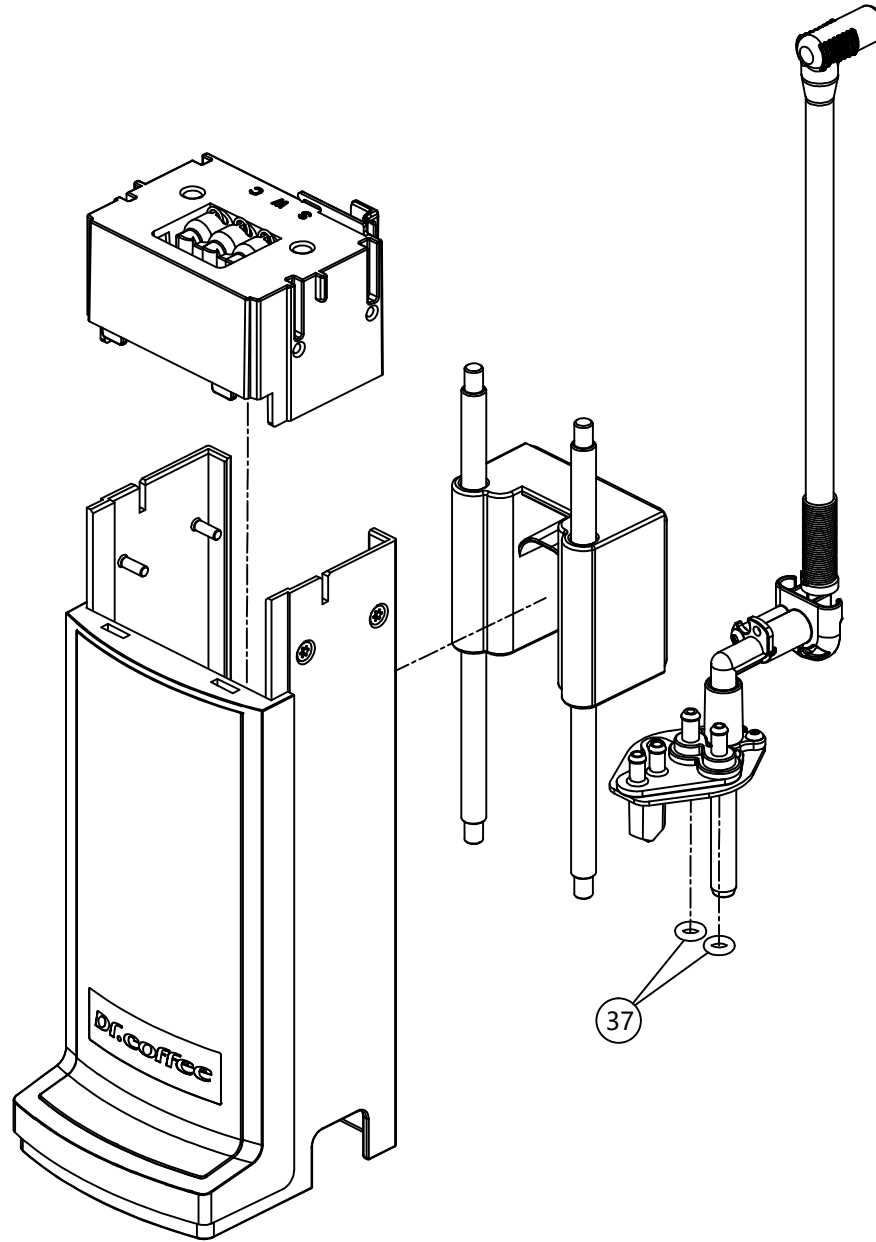


ITEM	DWG NO.	ENGLISH NAME	名称
30	8.D.1.0027	Water level detection PCBA	水位检测PCB
31	8.G.2.0014	Y-ring $\phi 22.67 * \phi 13.90$	导水座Y型密封圈

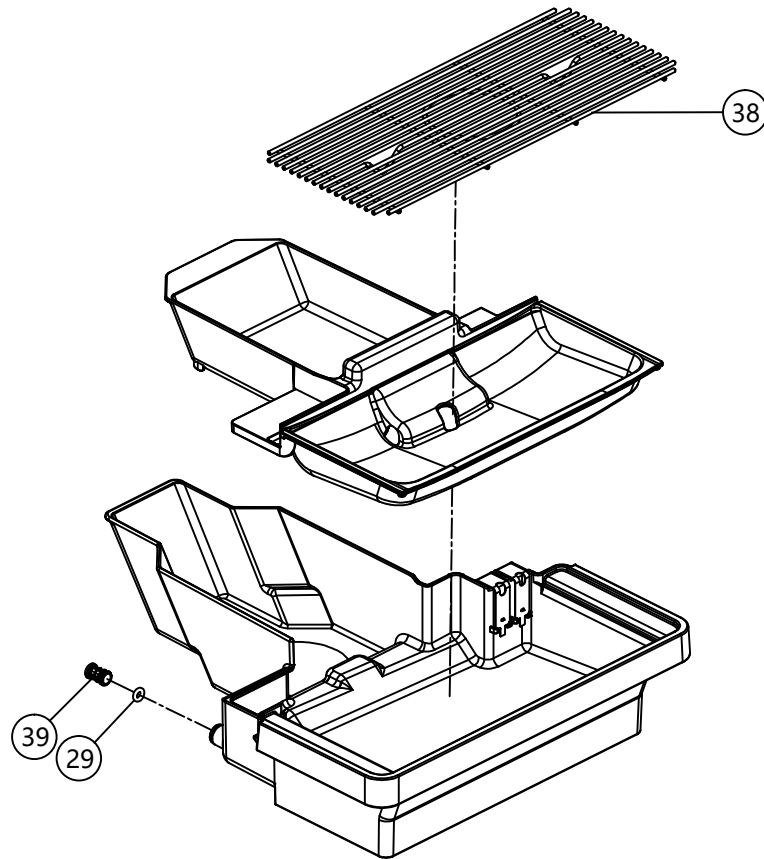


ITEM	DWG NO.	ENGLISH NAME	名称
32	8.D.1.0030	HMI PCBA	HMI板
33	8.D.3.0064	Battery (CR-2032/5BC)	纽扣电池
34	7.NN.0245	Guide railassembly	Minibar导轨组
35	7.NN.0244	Integrated beverage group	单奶沫器饮品出口组
36	8.G.2.0048	Foamer	Minibar奶沫器组

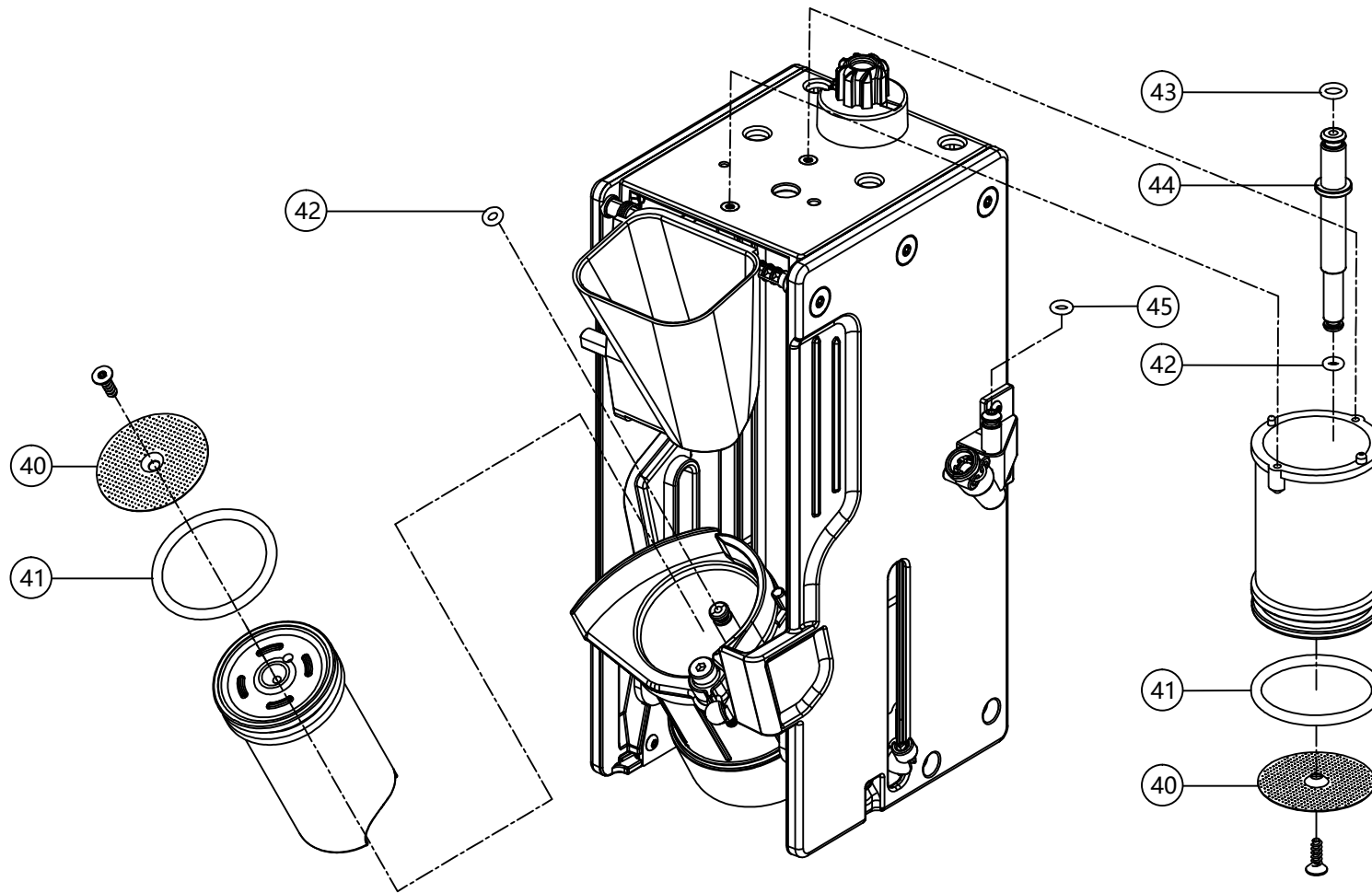




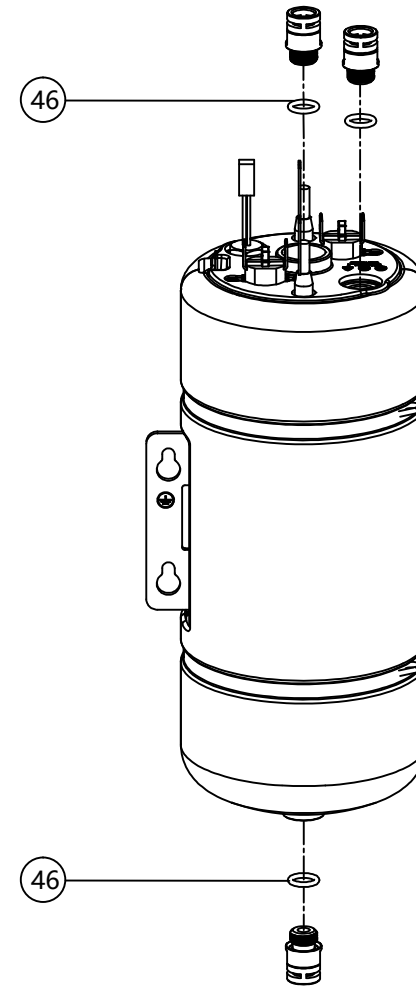
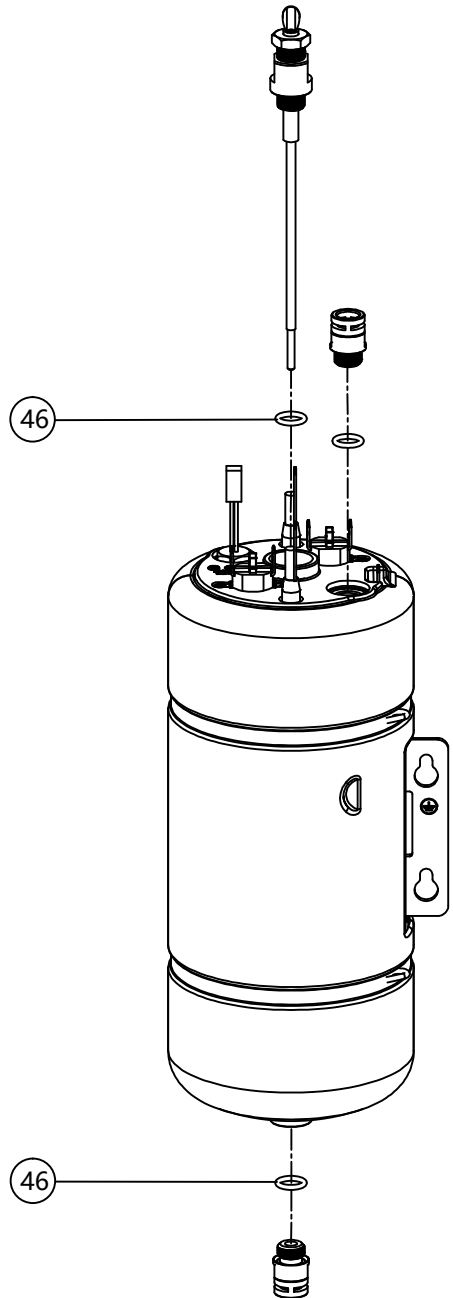
ITEM	DWG NO.	ENGLISH NAME	名称
37	8.G.1.0014	O-ring $\phi 5.0 \times \phi 2.5$	奶沫器密封圈



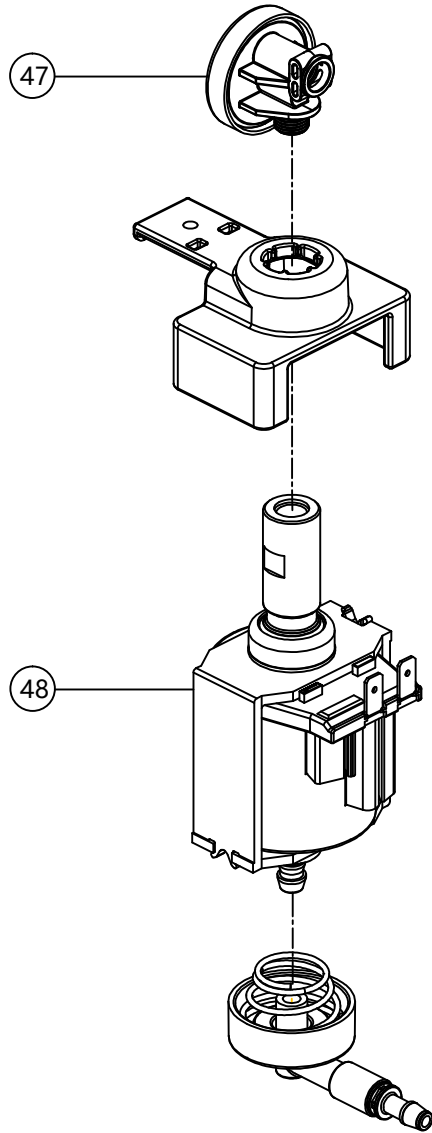
ITEM	DWG NO.	ENGLISH NAME	名称
38	8.W.6.0017	Stainless steel tray	不锈钢托杯盘
39	7.NN.0371	One-way valve	单向阀组
29	8.G.1.0001	O-ring $\phi 5.0 \times \phi 3.0$	水箱止逆阀密封圈



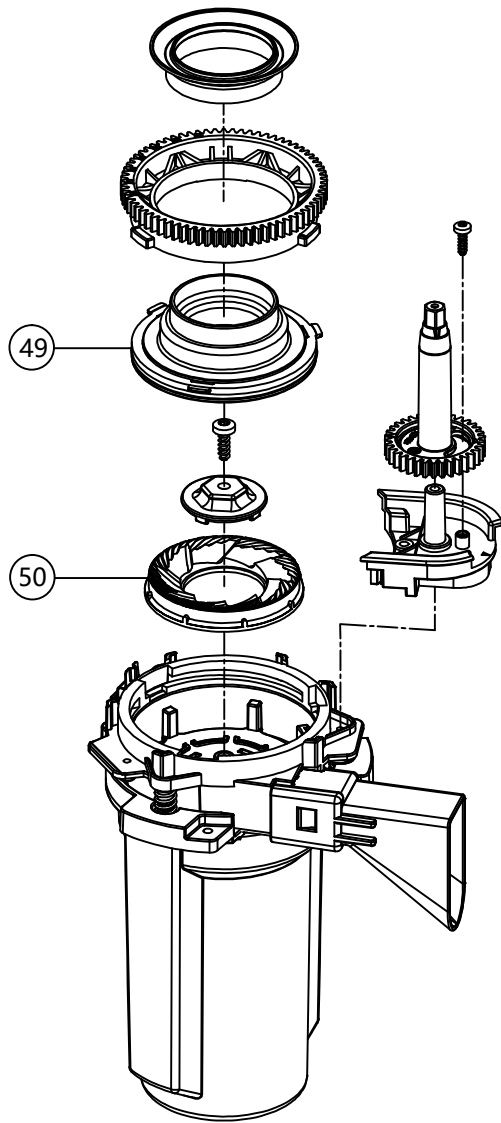
ITEM	DWG NO.	ENGLISH NAME	名称
40	8.W.6.0011	Coffee Filter	冲煮头过滤网
41	8.G.1.0004	O-ring $\phi 37.69 \times \phi 3.53$	冲煮头密封圈
42	8.G.1.0008	O-ring $\phi 3.3 \times \phi 2.0$	铜套密封圈
43	8.G.1.0013	O-ring $\phi 5.6 \times \phi 1.8$	冲泡器咖啡出口密封圈
44	8.S.1.0171	Coffee outlet	冲泡器咖啡出口
45	8.G.1.0008	O-ring $\phi 3.3 \times \phi 2.0$	导向轴密封圈



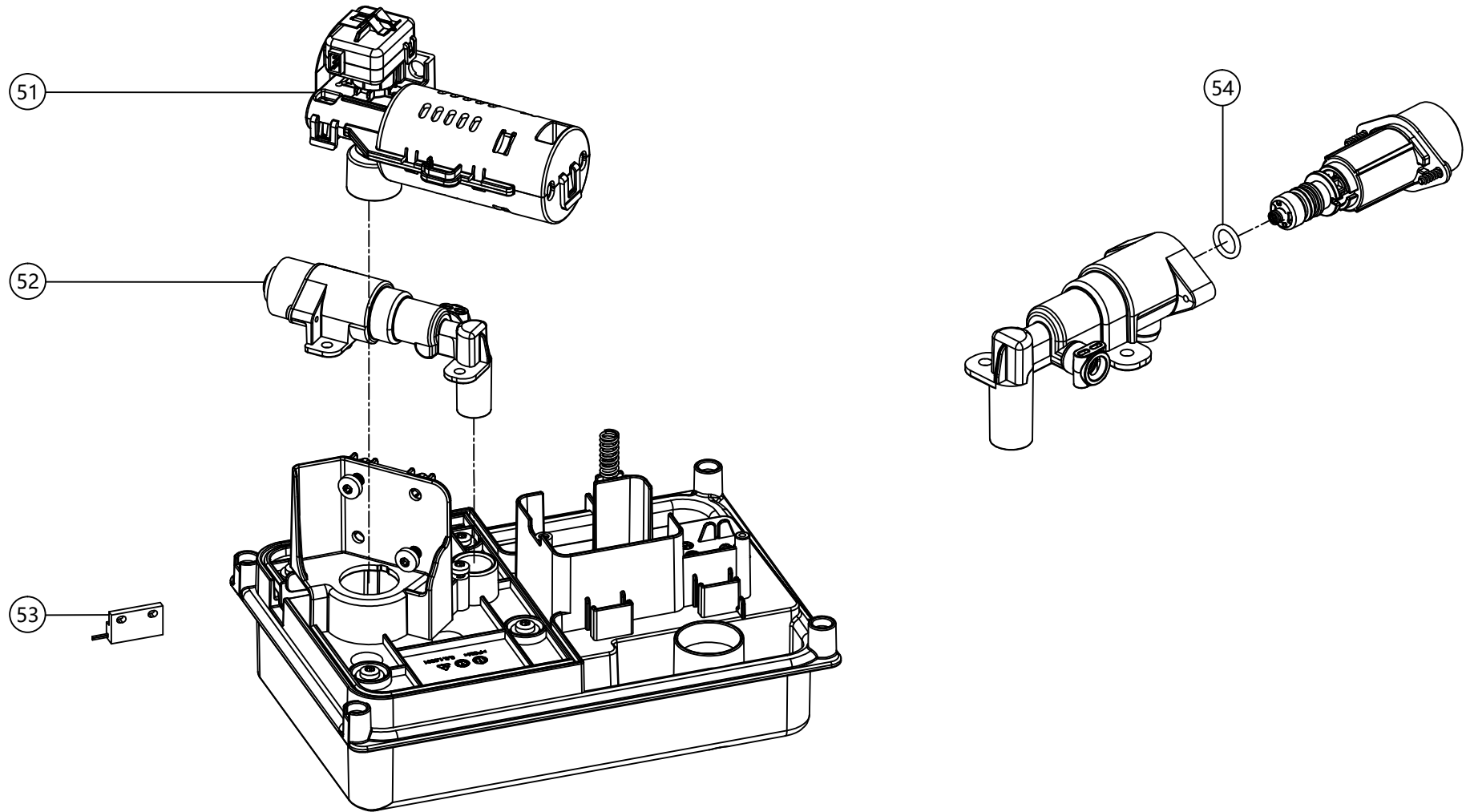
ITEM	DWG NO.	ENGLISH NAME	名称
46	8.G.1.0024	O-ring φ9.5*φ1.5	锅炉接头密封圈



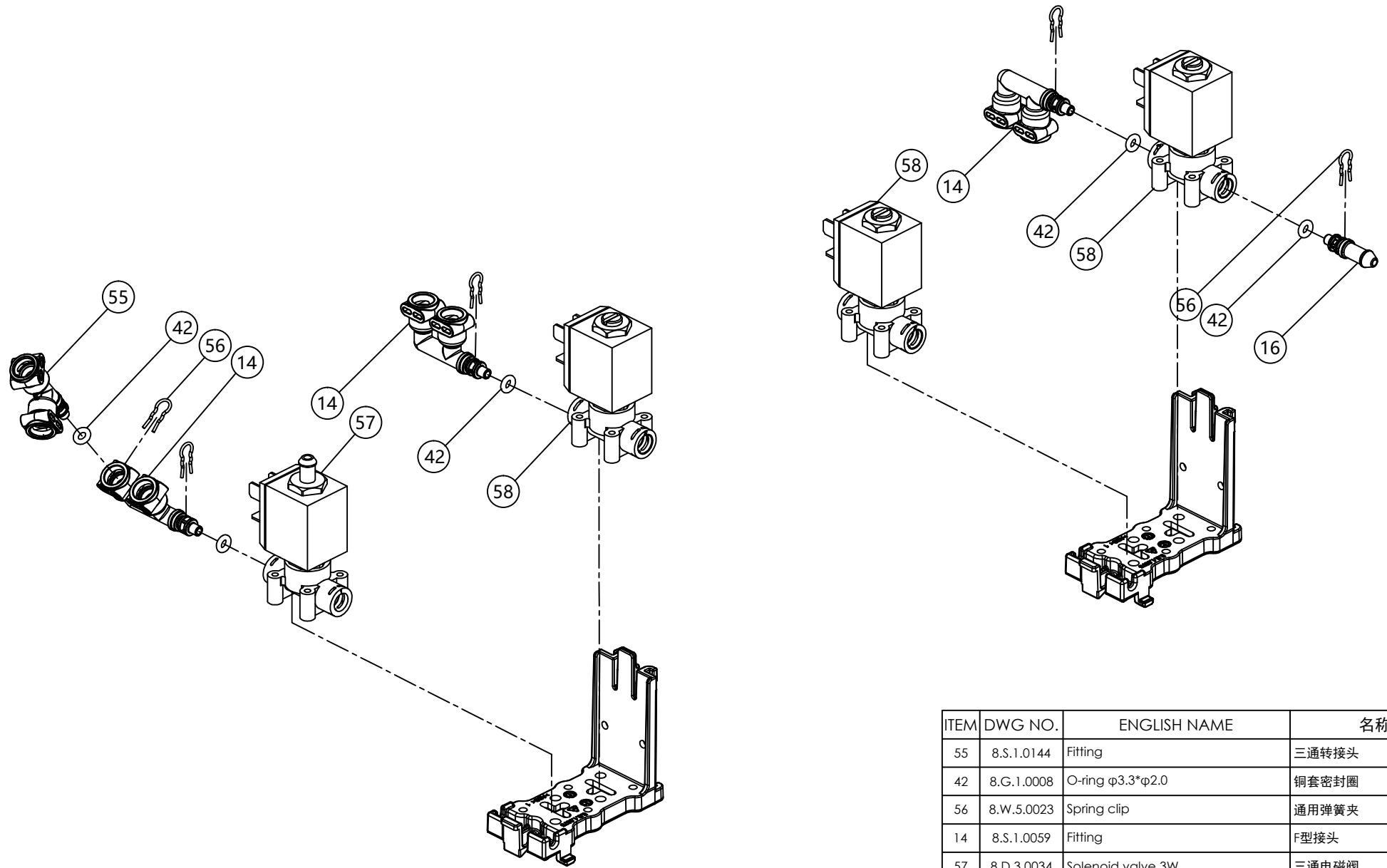
ITEM	DWG NO.	ENGLISH NAME	名称
47	7.NN.0012	Membrane controller group	稳压阀组
48	8.D.3.0051	Pump (220-240V 50Hz)	水泵 (220-240V 50Hz)
	8.D.3.0052	Pump (220-240V 60Hz)	水泵 (220-240V 60Hz)



ITEM	DWG NO.	ENGLISH NAME	名称
49	7.NN.0119	Upper grinder burr assembly	上刀盘组
50	8.T.1.0003	Grinder burr	磨豆刀

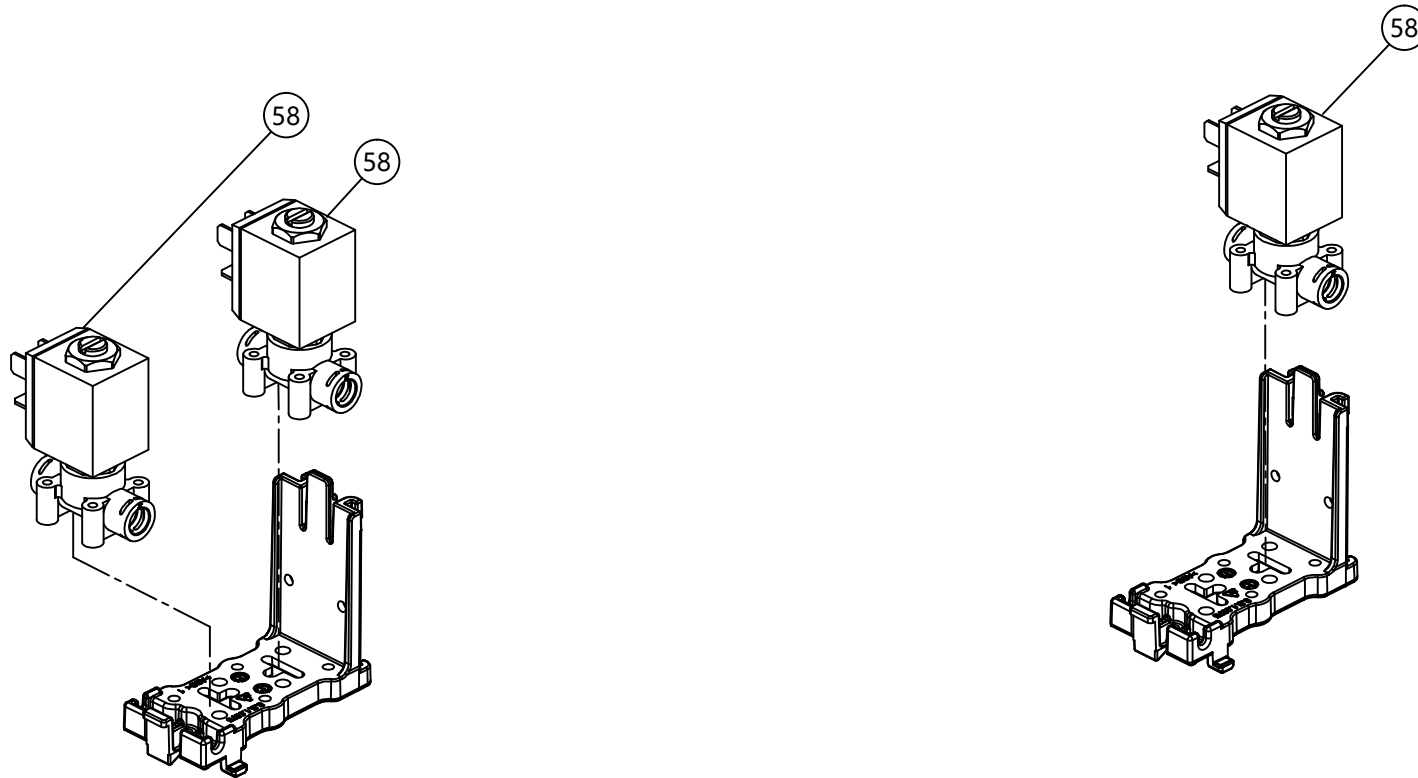


ITEM	DWG NO.	ENGLISH NAME	名称
51	7.NN.0225	Drive motor system	F11传动反馈组
52	7.NN.0243	Pressure regulating valve	Minibar蓄压阀组
53	8.D.3.0013	Reed switch	干簧管
54	8.G.1.0024	O-ring $\phi 9.5 \times \phi 1.5$	锅炉接头密封圈

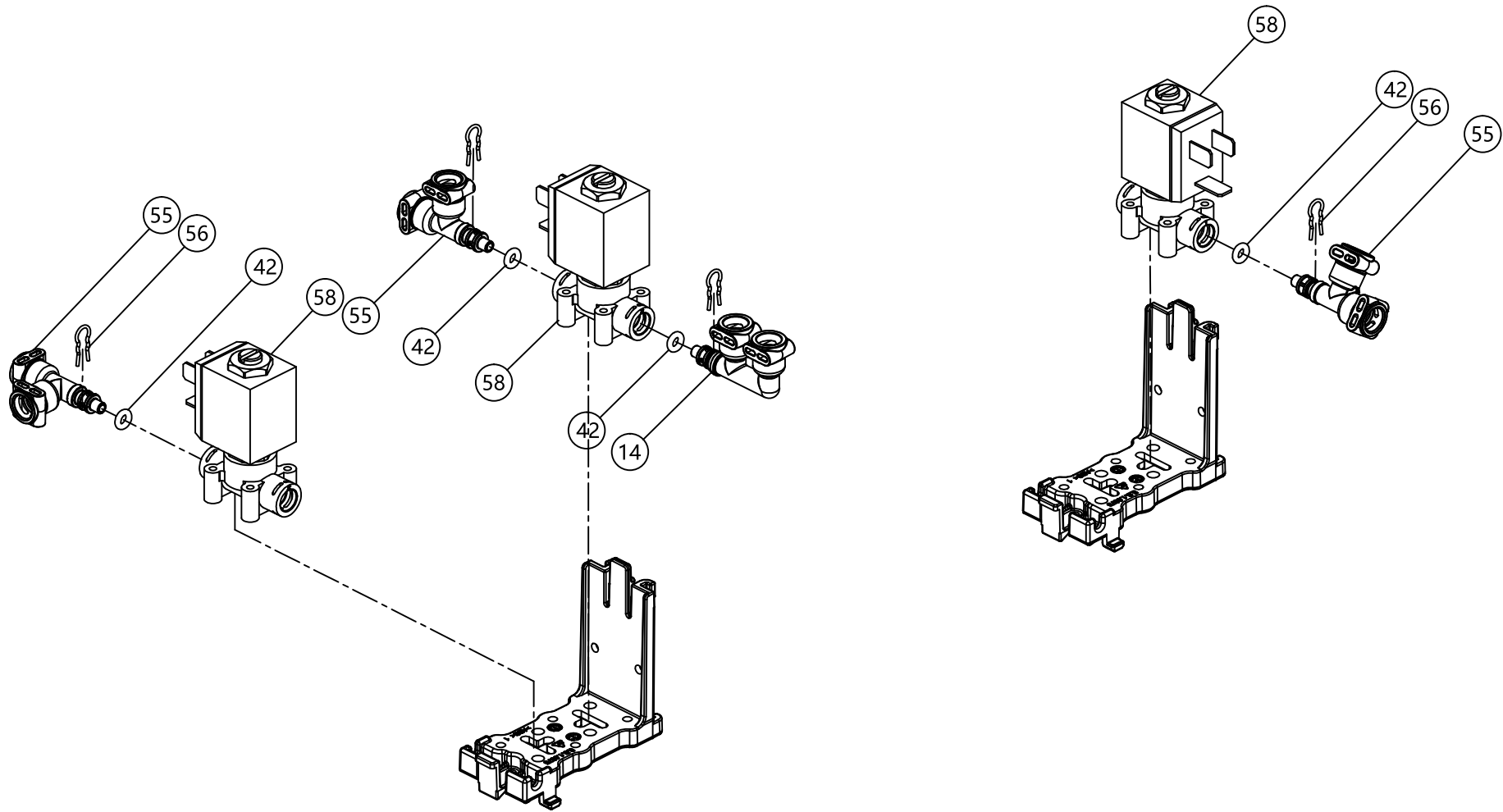


ITEM	DWG NO.	ENGLISH NAME	名称
55	8.S.1.0144	Fitting	三通转接头
42	8.G.1.0008	O-ring φ3.3*φ2.0	铜套密封圈
56	8.W.5.0023	Spring clip	通用弹簧夹
14	8.S.1.0059	Fitting	F型接头
57	8.D.3.0034	Solenoid valve 3W	三通电磁阀
58	8.D.3.0021	Solenoid valve 2W	两通电磁阀
16	8.S.1.0350	Hose connector(5*9)	软管接头 (5*9)

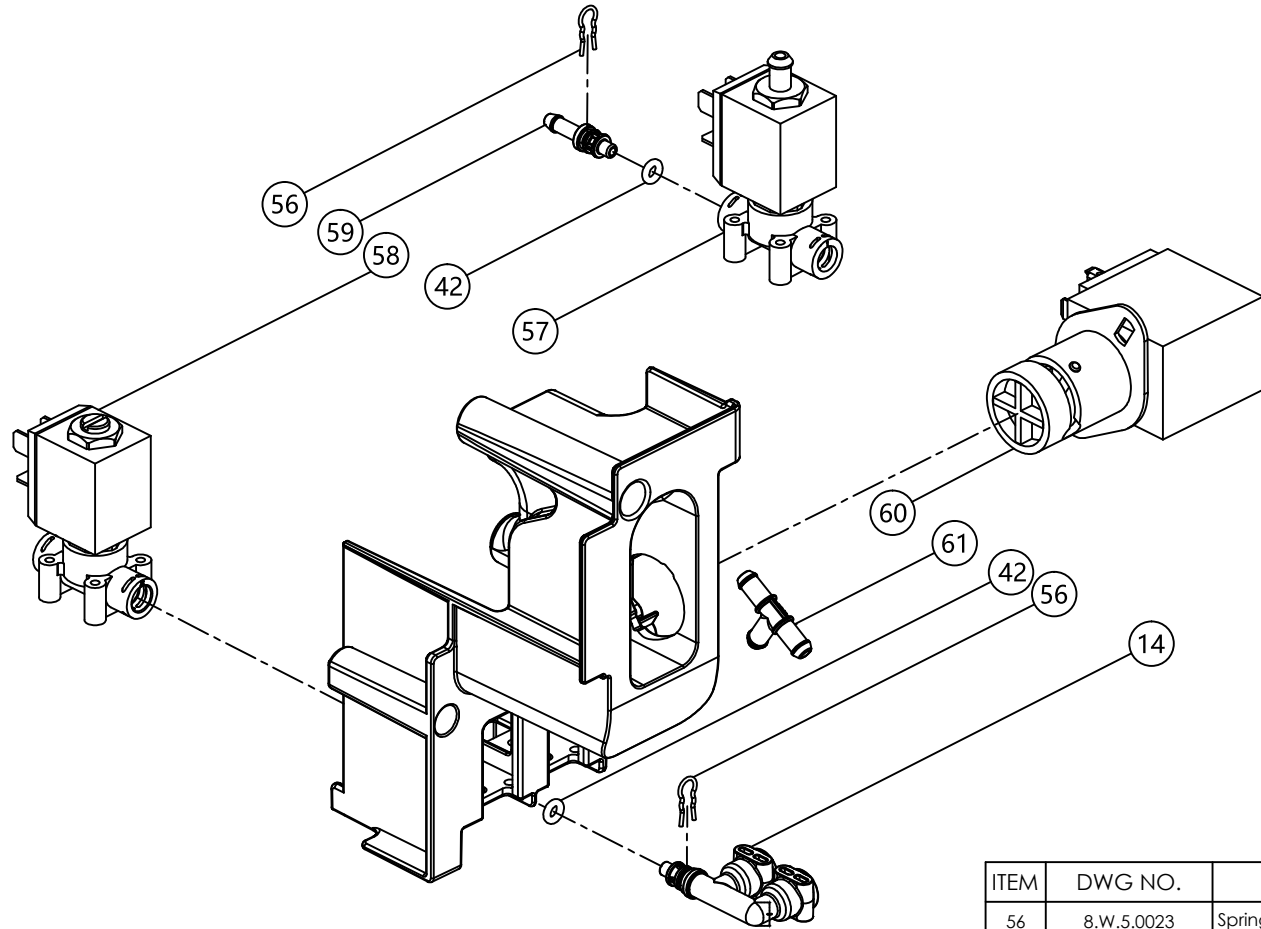




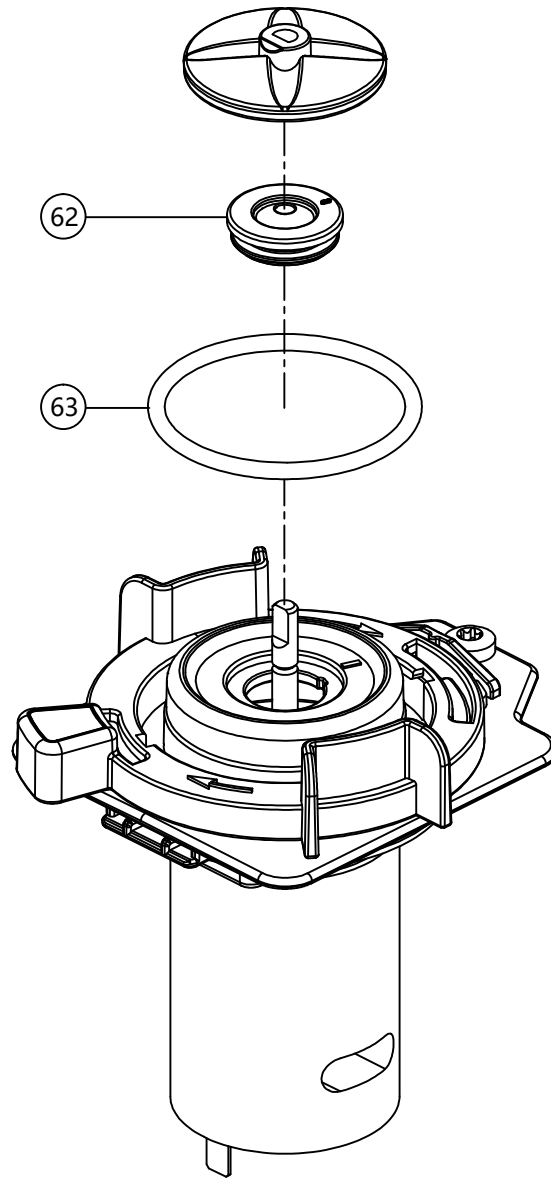
ITEM	DWG NO.	ENGLISH NAME	名称
58	8.D.3.0021	Solenoid valve 2W	两通电磁阀



ITEM	DWG NO.	ENGLISH NAME	名称
55	8.S.1.0144	Fitting	三通转接头
56	8.W.5.0023	Spring clip	通用弹簧夹
42	8.G.1.0008	O-ring φ3.3*φ2.0	铜套密封圈
58	8.D.3.0021	Solenoid valve 2W	两通电磁阀
14	8.S.1.0059	Fitting	F型接头



ITEM	DWG NO.	ENGLISH NAME	名称
56	8.W.5.0023	Spring clip	通用弹簧夹
59	8.S.1.0318	3 Way hose conector	三通软管接头6mm
58	8.D.3.0021	Solenoid valve 2W	两通电磁阀
42	8.G.1.0008	O-ring $\phi 3.3 \times \phi 2.0$	铜套密封圈
57	8.D.3.0034	Solenoid valve 3W	三通电磁阀
60	8.D.3.0085	Pinch valve	夹管阀
61	8.S.1.0318	3 way hose connector	三通软管接头6mm
14	8.S.1.0059	Fitting	F型接头



ITEM	DWG NO.	ENGLISH NAME	名称
62	8.G.2.0030	Seal ring of mixer moto	F2粉料搅拌电机轴密封圈
63	8.G.1.0026	O-ring $\phi 37.77 \times \phi 2.62$	粉料搅拌室密封圈