

NGDP

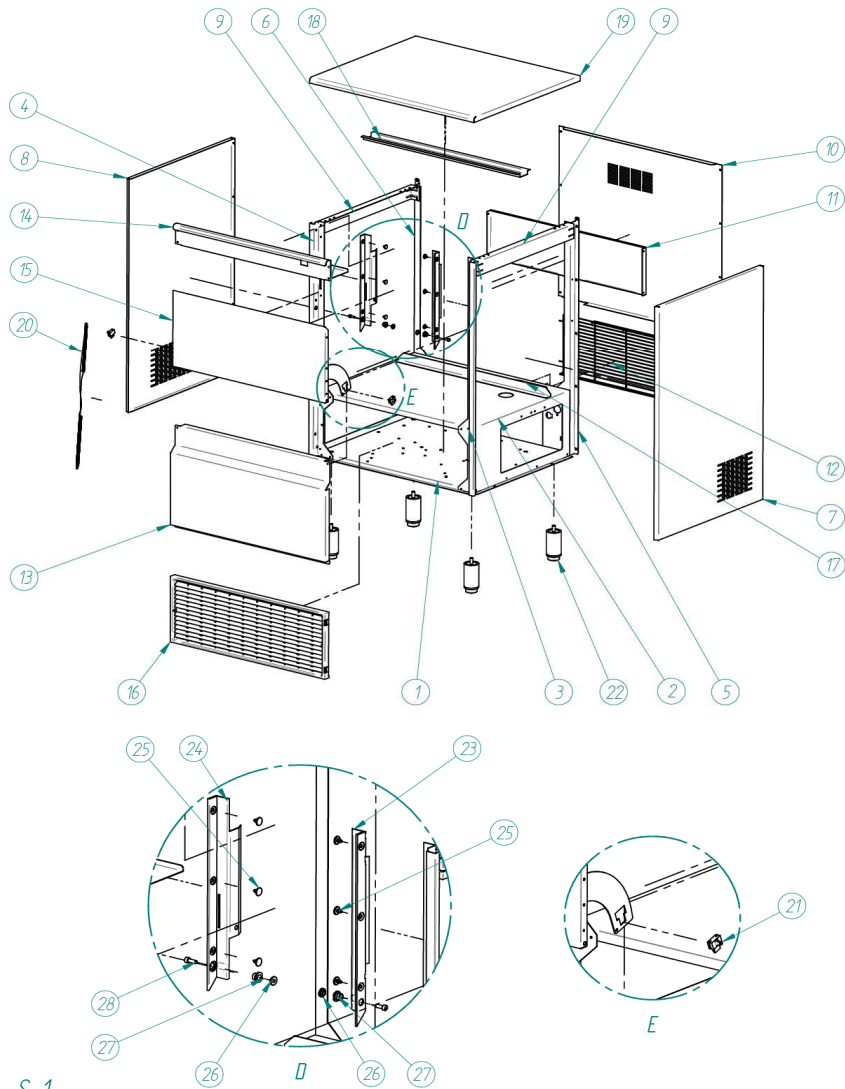
ITV
ICE makers



DESPIECE / REPUESTOS
EXPLODED VIEW / SPARE PARTS
EXPLOSIONSZEICHNUNG / ERSATZTEILE
VUE ÉCLATÉE / PIÈCES DÉTACHÉES
ESPLOSO / RICAMBI

ITV | ICE makers **SERVICE** 

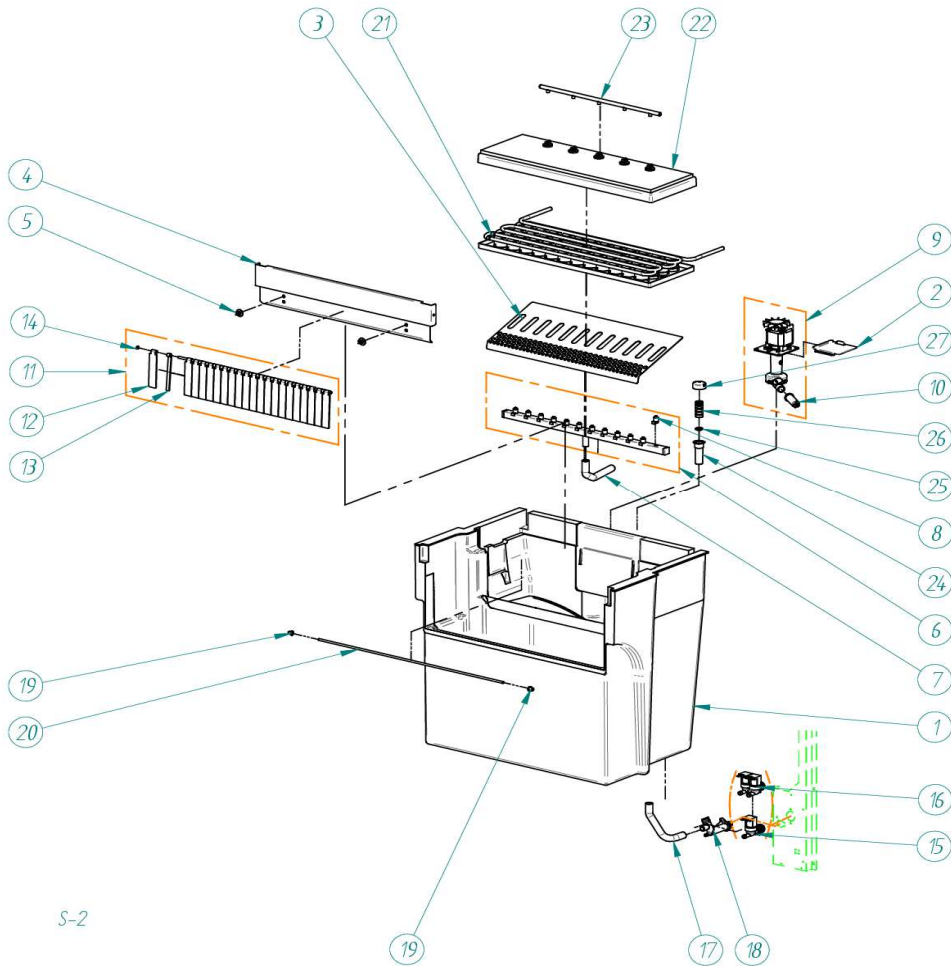
CABINET



	DESCRIPTION						
	NG30	NG 35, 45	MODEL				
			NG60	NG80	NG110	NG150	
1	BASEMENT	2836	808	4160	1734	3258	4313
2	SUPPORT	3078	506	4159	1735	3421	4314
3	FRONT RIGHT COLUMN	3292	159		1736		3434
4	FRONT LEFT COLUMN	3923	160		1737		3435
5	REAR RIGHT COLUMN	3407	207		1775		3746
6	REAR LEFT COLUMN	3406	161A		1770		3436
7	RIGHT PANEL	4219	489A		1900		3969
8	LEFT PANEL	4220	490A		1901		3970
9	BRACE	3520		557			3778
10	REAR COVER	4223	635A	4172A	1807	3785	4320
11	REAR REINFORCEMENT (installed until 1283180)	3528	2112	4171		1800	4325
12	REAR GRILL	2453	1728	4088		2192	4849
13	LOWER FRONT PANEL	3079	418	4186	1790	3770	4315
14	UPPER FRONT PANEL	4946	421	4169		1791	4316
15	DOOR	5072	5030	5791		5237	5857
16	FRONT GRILL	4185	4063	4186		4188	4187
17	BRIDGE ANGLE	---	---	---	2331	4984	4985
18	COVER REINFORCEMENT	---	---	---	4146		4326
19	TOP COVER	3387A	920A	4170A	1792A	3773A	4317A
20	DOOR SPRING			702			
21	DOOR BUMPER			156			
22	LEG			1478			
23	RIGHT DOOR GUARD			82			
24	LEFT DOOR GUARD			83			
25	CLIP			113			
26	DOOR AXE BUSH			155			
27	DOOR AXE BEARING			1001			
28	DOOR SCREW			392			

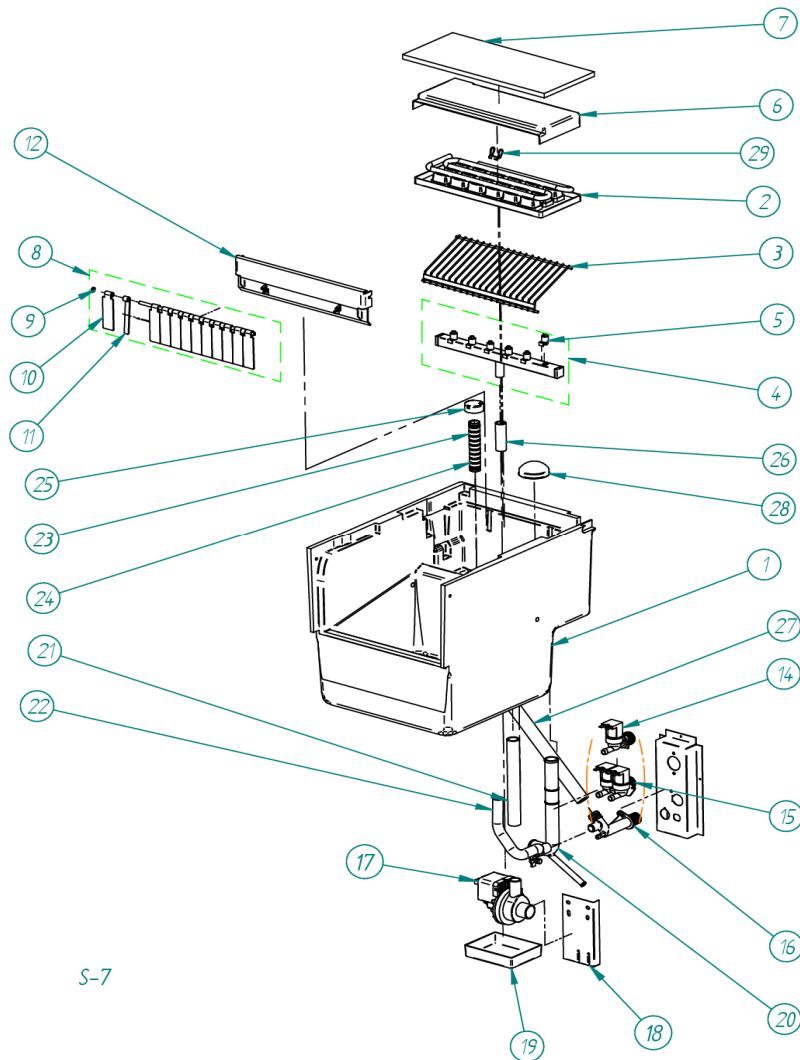
S-1

BIN & HIDRAULIC PARTS



S-2

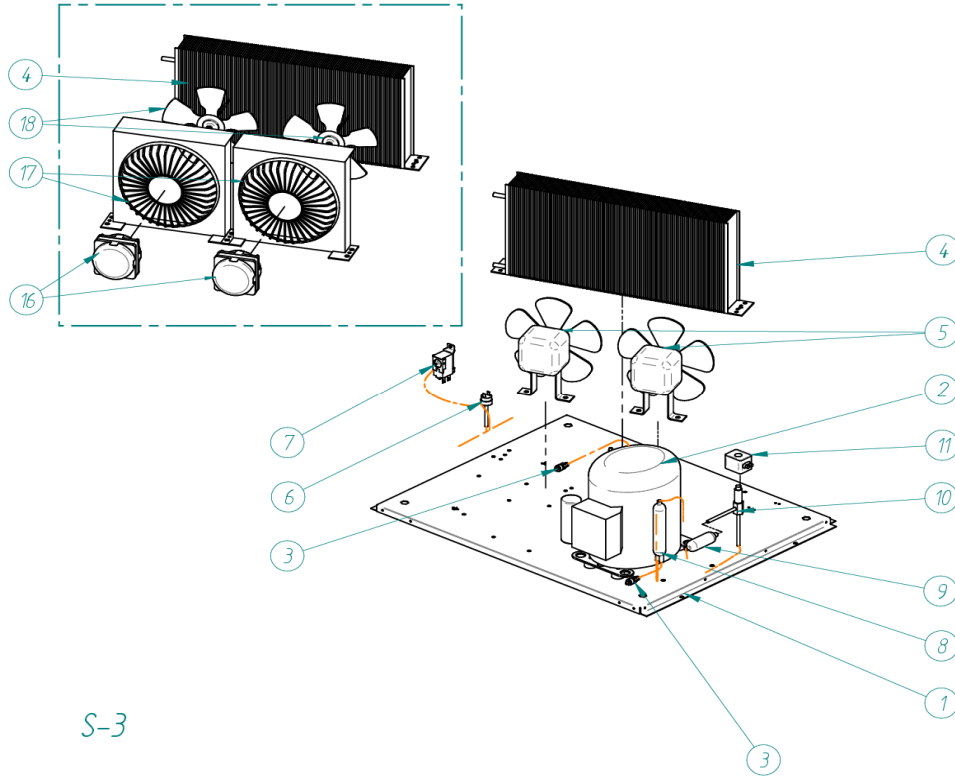
	DESCRIPTION					
	NG 35, 45	NG60	MODEL NG80	NG110	NG150	
1	STOCK BIN	7452	7388	7128	7322	7487
2	WATER BIN COVER			1938		
3	ICE CUBES RAMP					
	DELTA-GALA-ALFA	4673	1147	2186	3805	4323
	SUPER STAR	4673	4351	4258	4284	4322
4	CURTAIN HOLDER	121	4055	2187		4193
5	CURTAIN CLIP			3533		
6	COLLECTOR	7464	7406	7335	7350	7485
	SUPER STAR	7464	7439	7432	7433	7486
7	FORCE PIPE	2148		2191		2148+576+2191
8	SPRAY NOZZLE			526		
9	PUMP	220V/50HZ	5563	5405	5494	5927
		115V/60HZ	5850	5932		---
10	PUMP FILTER			1712		
11	COMPLETE CURTAIN	5900	5837	5395		5929
12	EXTERIOR CURTAIN			606		
13	INSIDE CURTAIN			605		
14	CURTAIN JOINT			107		
	WATER VALVE 1B					
15	Up to serial number 1320000			329		
	From serial number 1320000	7685			329	
	WATER VALVE 2B (water condensed)					
16	Up to serial number 1320000			404		
	From serial number 1320000	7691		404		7691
17	DRAIN PIPE			2222		
18	DRAIN COLLECTOR			363		
19	THERMOSTAT JOINT			666		
20	THERMOSTAT TUBE	---	5437	5422		5933
	EVAPORATOR					
	ALFA 20gr	7030B	7395A	7258	7263	7479
	GALA 30gr	7423B	7400A	7156A	7352	7480
	DELTA 40 gr	7031	7401	7252	7095	7437
	SUPER STAR 60gr	7032A	7436A	7323A	7355	7427A
22	EVAPORATOR COVER	5899	5418	5406	5491	5928
	WATER DISTRIBUTOR					
23	Up to serial number 1320000	2647			911	
	From serial number 1320000	---	---	---		911
24	OVERFLOW DRAIN			4425		
25	JOINT			4496		---
26	OVERFLOW PIPE			4426		1134
27	OVERFLOW PIPE CAP			4427		



S-7

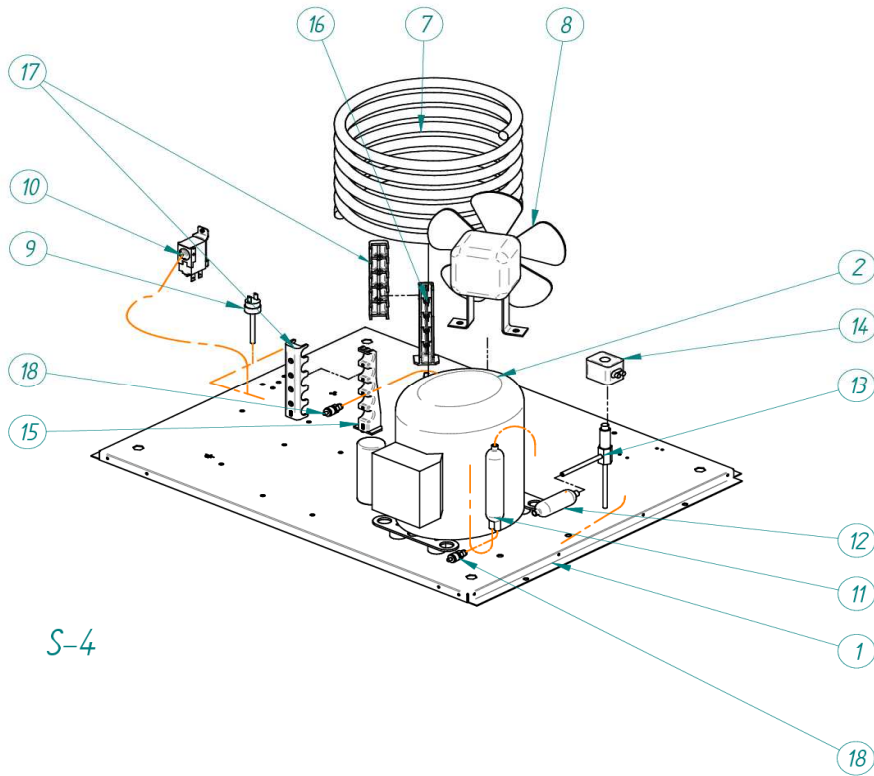
	DESCRIPTION	MODEL
		NG 30
1	STOCK BIN	7502
	EVAPORATOR	
2		ALFA 20gr 7492
		GALA 30gr 7491
		DELTA 40 gr 7490
3	ICE CUBES RAMP	4945
5	NOZZLE	526
6	EVAPORATOR COVER	5948
7	EVAPORATOR INSULATION	---
8	COMPLETE CURTAIN	5968
9	JOINT	107
10	EXTERIOR CURTAIN	1213
11	INSIDE CURTAIN	1212
12	EVAPORATOR SUPPORT	4697
13	CLIP	3533
14	WATER VALVE 1B	1673
15	WATER VALVE 2B (water condensed)	1674
16	DRAIN COLLECTOR	363
	WATER PUMP 220V/50HZ	4769
17	WATER PUMP 220V/60HZ	32047
	WATER PUMP 115V/60HZ	31998
18	PUMP SUPPORT	4956
19	PUMP TRAY	4521
20	SUCTION PIPE	4961
21	FORCE PIPE	4533
22	DRAIN PIPE	2222
23	OVERFLOW PIPE	4426
24	SEAL JOINT	4496
25	OVERFLOW PIPE CAP	4427
26	COLLECTOR PIPE	993
27	PRODUCTION DRAIN	2752
28	FILTER	580

AIR CONDENSER UNIT



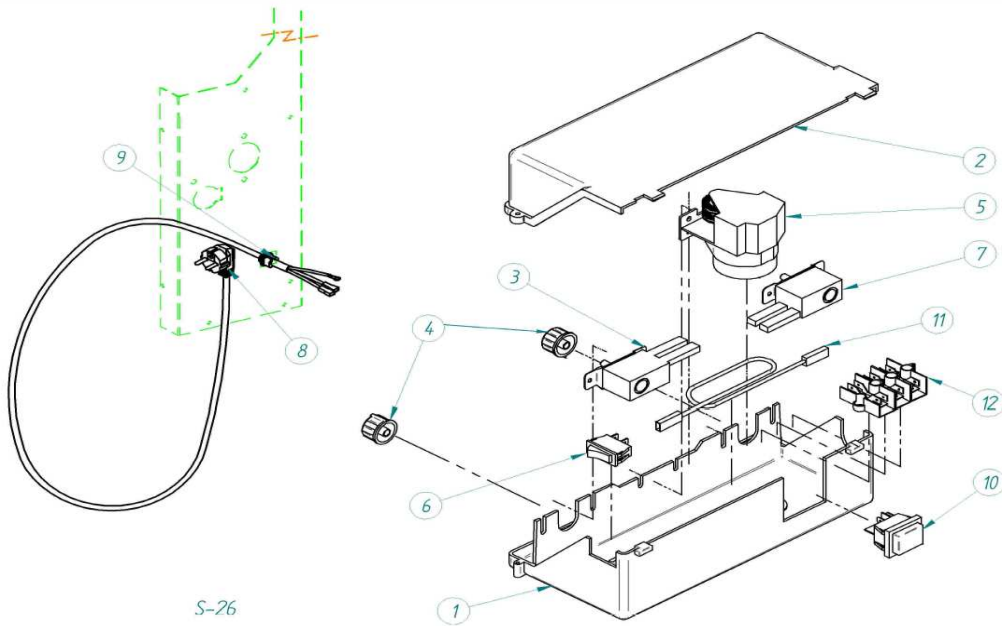
S-3

	DESCRIPTION	MODEL					
		NG 30	NG 35	NG 45	NG60	NG80	NG110
1	BASE	2836	808	4160	1734	3258	4313
2	COMPRESSOR						
	220V/50Hz	6005		6515	8438	30439	30441
	220V/60Hz	1092		81093	81095	81098	31099
	115V/60Hz	82801		82701	4827	82803	32808
3	CHARGING VALVE			335			
	CONDENSER		2541			2593	2618
4	CONDENSER 220V/60Hz	491	8327	486	487	589	2593
	CONDENSER 115V/60Hz	491	8327	486	487	2867	1052
6	HIGH PRESSURE SWITCH			334			
7	CONDENSATION PRESSURE SWITCH		7476E				2507
8	DRIER		1717				2560
9	HOT GAS VALVE FILTER			448A			
10	HOT GAS VALVE		1473				843
11	COL						
	220V/50HZ			5173			
	115V/60HZ			5414			
	FAN MOTOR 220V/50HZ	2170		28	444 X 2	4131 X 2	4230
16	FAN MOTOR 220V/60HZ	960		28	444 X 2	4131 X 2	4230
	FAN MOTOR 115V/60HZ	4889		4890	4890	4890 x 2	-
17	CONDENSATOR BAFFLE			---			2435
	FAN BLADE 220V/50HZ	4040		4887	4040 X 2	4040 X 2	4495
18	FAN BLADE 220V/60HZ	4887		4887	4040 X 2	4040 X 2	4495
	FAN BLADE 115V/60HZ	4887		4887	4887 x 2		-
*	LIQUID RECEIVER			---			6241



		DESCRIPTION						
		NG 30	NG 35	NG 45	MODEL NG60	NG80	NG110	NG150
1	BASE	2836	808		4160	1734	3258	4313
COMPRESSOR								
2		220V/50Hz	6005		6515	8438	30439	30441
		220V/60Hz	1092	81093	81095	81098	31099	32029
		115V/60Hz	82801	82701	4827	82803	32808	---
7	WATER CONDENSER	5736	5242	5243		5244	5246	3267
8	FAN	2170+587	2170+4040			444+4040		2170+587
9	HIGH PRESSURE SWITCH				334			
10	CONDENSATING PRESSURE SWITCH		7476E				2507	
11	DRIER			1717				2560
12	HOT GAS VALVE FILTER				448A			
13	HOT GAS VALVE				1473			843
COIL								
14		220V/50HZ			5173			
		115V/60HZ			5414			
15	CONDENSER SUPPORT				4036			
16	CONDENSER SUPPORT				4037			
17	CONDENSER SUPPORT				4038			
18	CHARGING VALVE				335			

S-4



S-26

	DESCRIPTION					
	NG30	NG 35, 45	NG60	NG80	NG110	NG150
1	BASE			4789		
2	COVER			4790		
3	CYCLE THERMOSTAT			153A		
4	THERMOSTAT CONTROL			272		
TIMER						
220V/50HZ						
	ALFA	380C		4864C		
	GALA	4864C		380C		
	DELTA	4864C		380C		
	SUPER STAR	---	380C	382C		
220V/60HZ						
5	ALFA	4864C				
	GALA	380C				
	DELTA	---	---	380C		
	SUPER STAR	---	---	382C		
115V/60HZ						
	ALFA	4865C	2764C		4864C	
	GALA	4865C	2764C		4864C	
	DELTA	2764C				
	SUPER STAR	---	2764C			
6	CLEANING SWITCH			274		
7	STOCK THERMOSTAT			274		
SUCKO PLUG						
8	220V/50HZ			408		
	208-230V/60HZ			3675		
	115V/60HZ			2771		
9	WIRING FLANGE			664		
10	MAIN SWITCH			2287		
	RESISTANCE PVC 220V			3814		
	RESISTANCE PVC 115V			4867		
12	CONNECTOR			5177 X 3		