



**SPARE PARTS CATALOGUE
ERSATZTEILKATALOG
CATALOGUE PIECES DETACHEES
CATALOGO PARTI RICAMBIO
CATALOGO DE PIEZAS DE RECAMBIO
CATALOGO PECAS, DE REPOSICAO**

Catalogo parti di ricambio valido
dalla matricola 1 ad oggi (08/02/2023)

Catalogue pieces detachees
du numero de Série n. 1 jusqu'à aujourd'hui (08/02/2023)

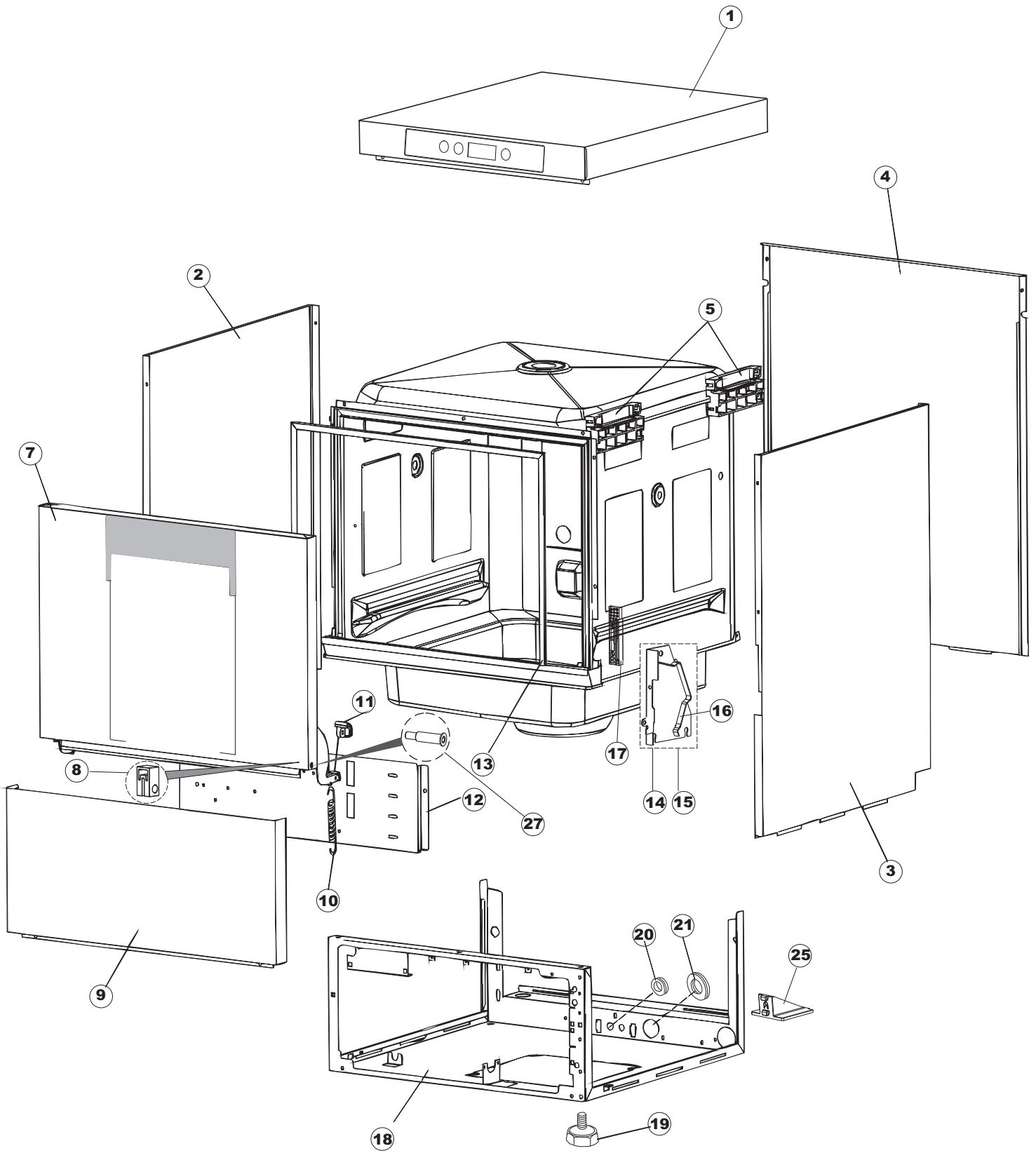
Ersatzteilkatalog
gültig ab Serien-Nr. 1 bis heute (08/02/2023)

Spare parts catalogue
valid from serial no. 1 up today (08/02/2023)

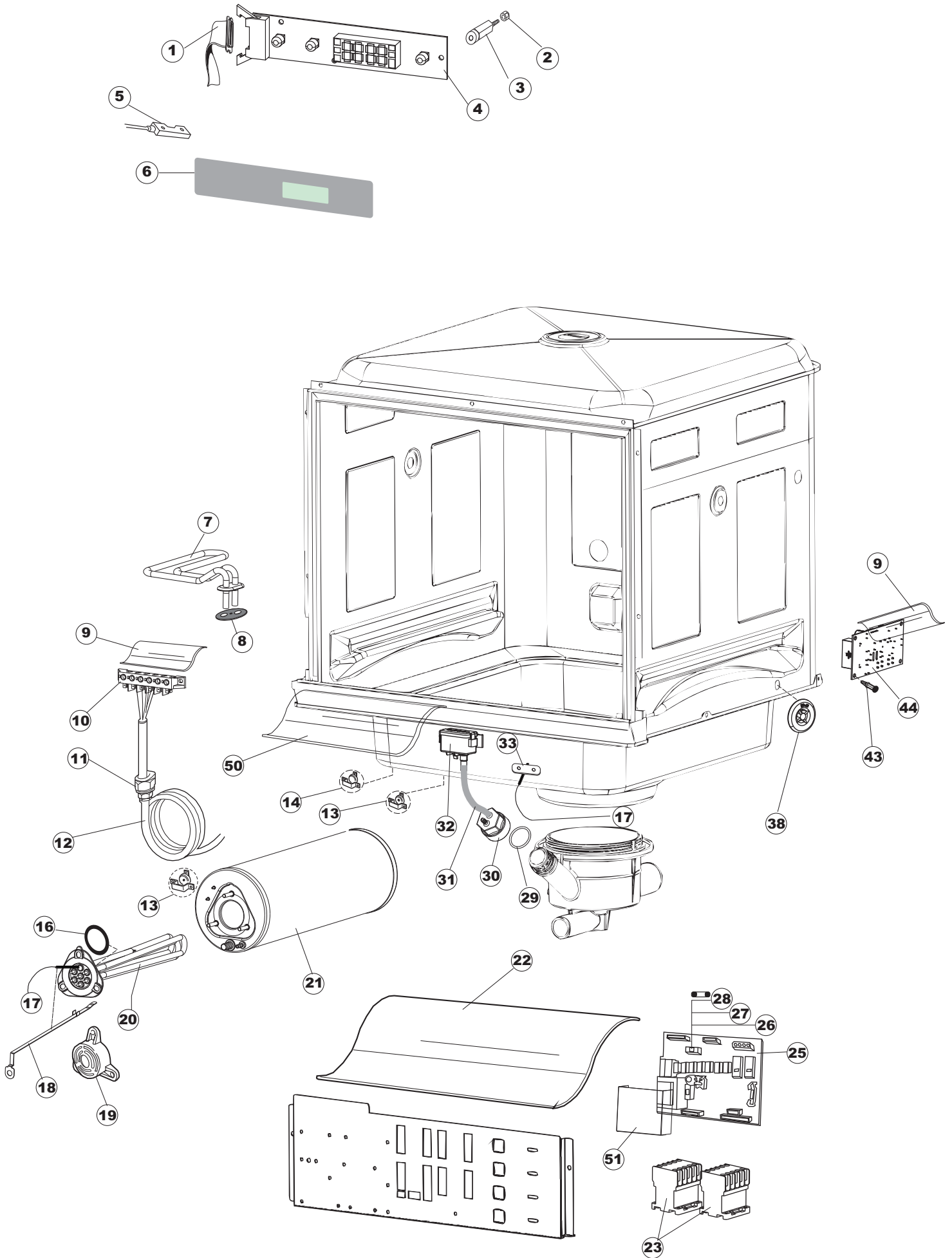
Catálogo de peças de reposição
válido do número de série 1 até hoje (08/02/2023)

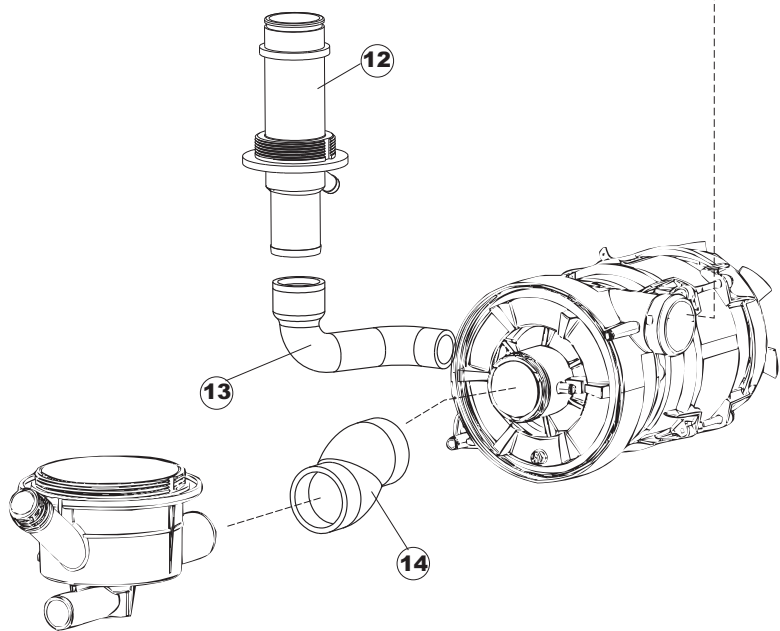
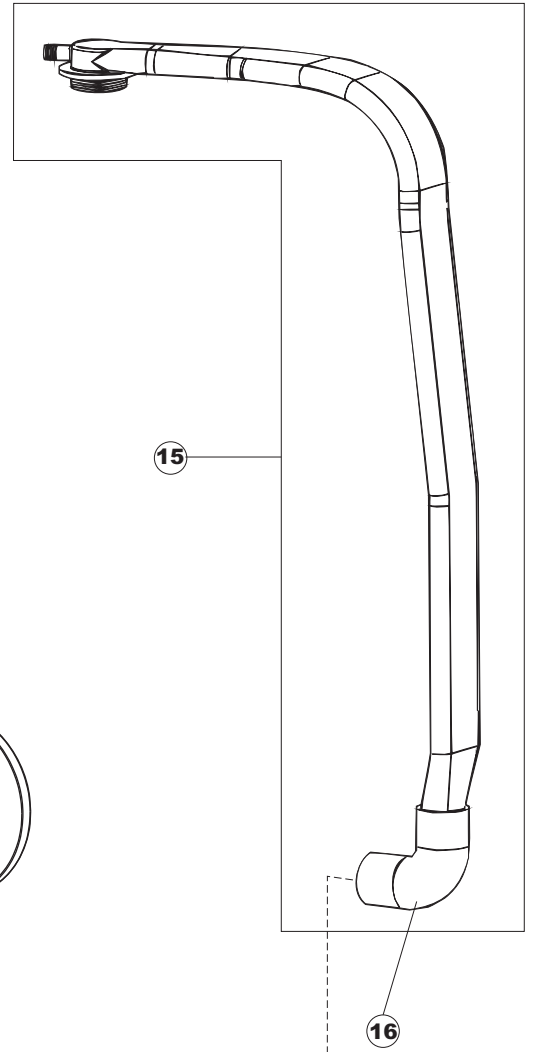
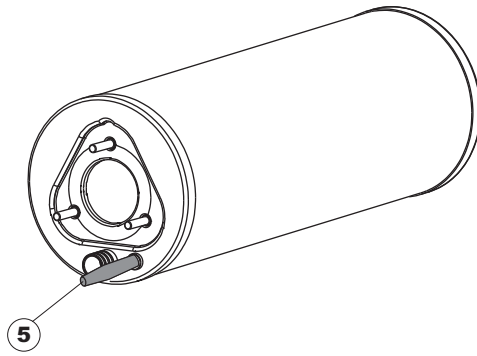
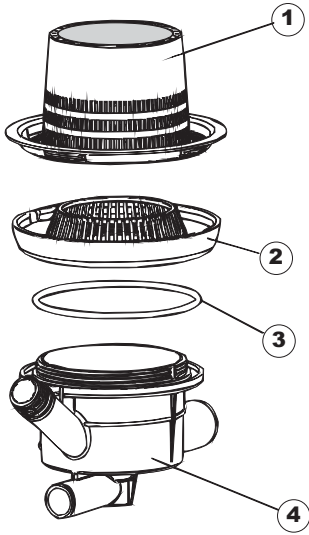
520

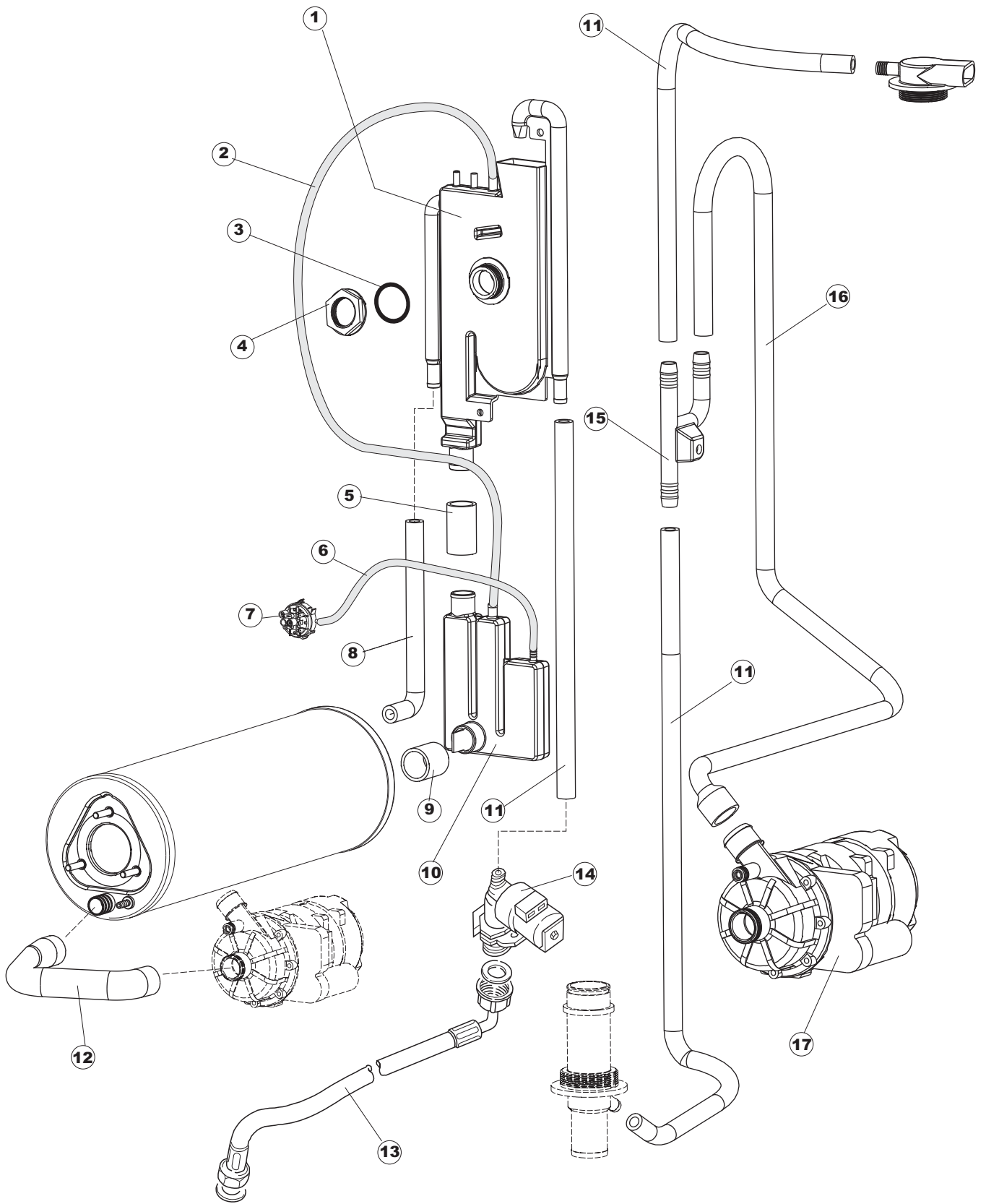
1

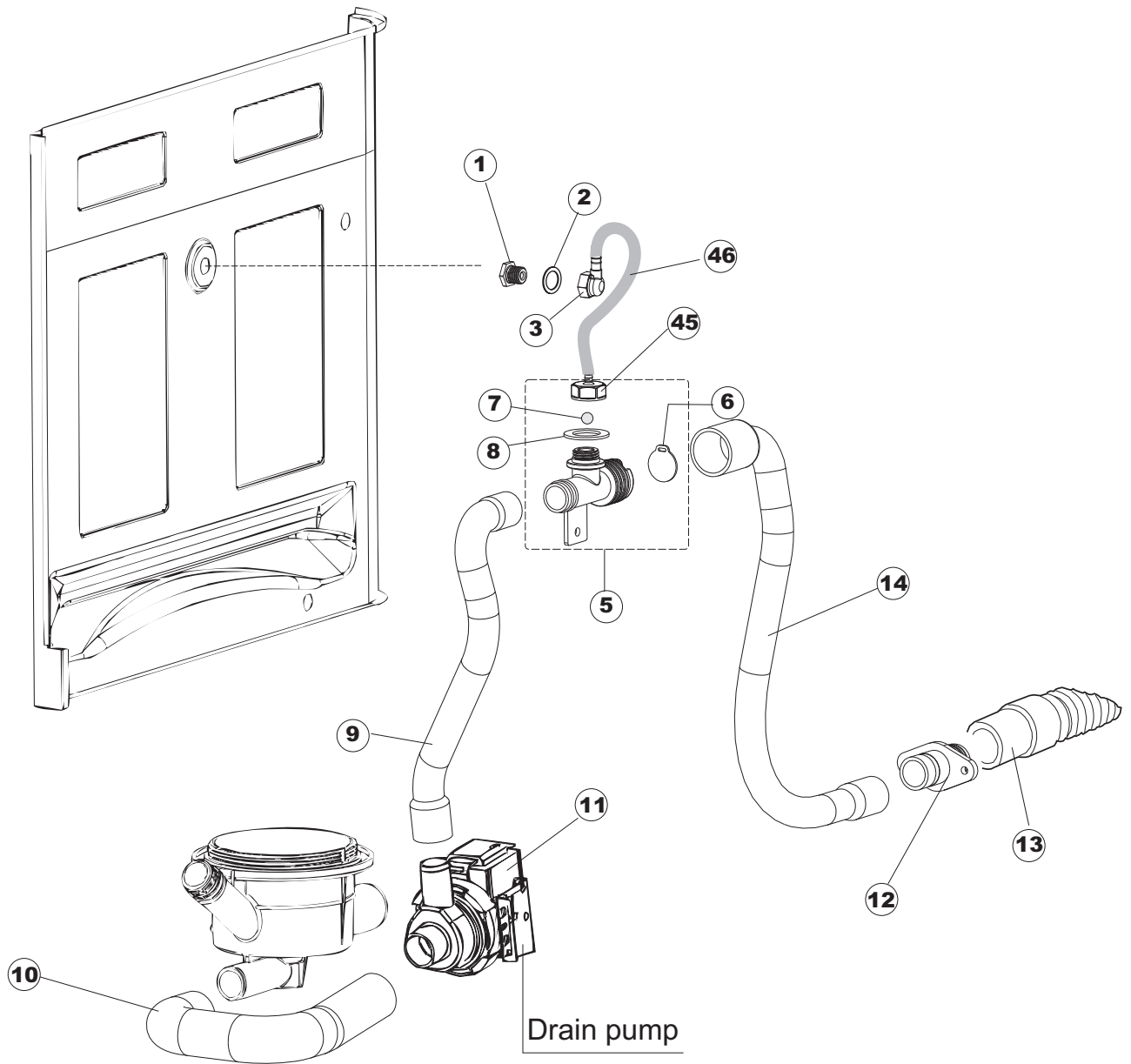


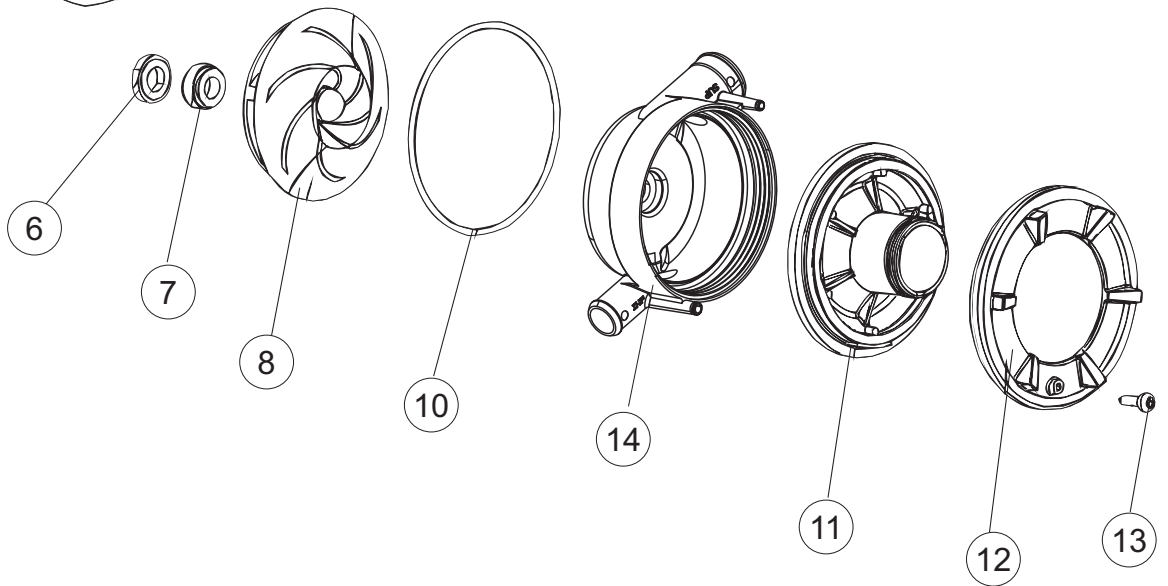
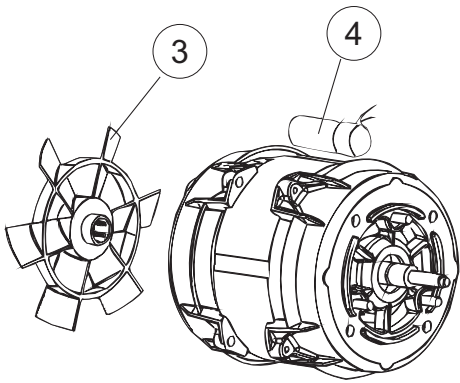
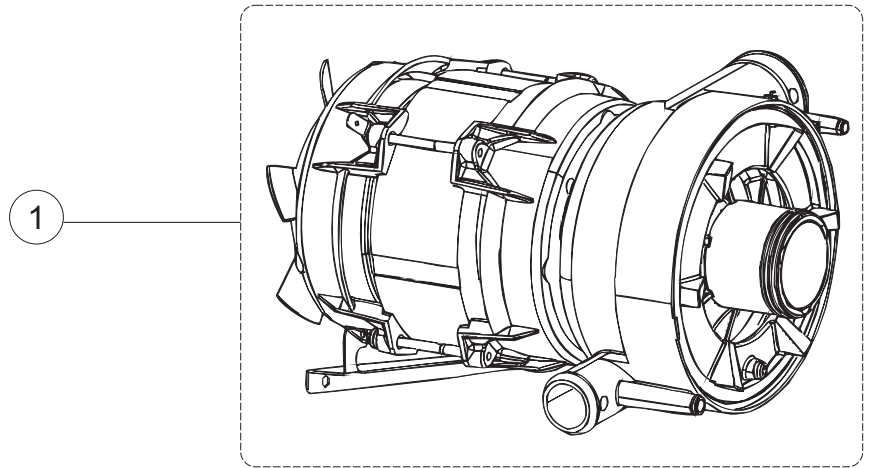
2











(*) Recommended spare part.

Page	Spare part position	Spare part code no.	Old code number	Description	U.m.
1	1	004285		COVER	NR
1	2	021122		LEFT SIDE PANEL	NR
1	3	021121		RIGHT SIDE PANEL	NR
1	4	022148		BACK PANEL	NR
1	5	035083		SUPPORT BRACKET	NR
1	7	029693		COMPLETE DOOR	NR
1	8	310013		BLOCCHETTO CENTRAGGIO CERN-PERNO LA50	NR
1	9	012318		FRONT PANEL	NR
1	10	449049		SPRING	NR
1	11	307014		SPRING STOP BAR	NR
1	12	035081		SUPPORT BRACKET	NR
1	13	437103		DOOR GASKET	NR
1	14	999259		KIT SPRING BRACKET	NR
1	15	999260		KIT SPRING BRACKET	NR
1	16	449058		SPRING	NR
1	17	307015		ROD OF TOP DOOR-STOP BAR	NR
1	18	040119		BASE FRAME LA50	NR
1	19	461019		HEXAGONAL FOOT ADJUSTABLE FOR DISHWASHER	NR
1	20	459006		CHOCK D INT 9 EST 16	NR
1	21	459004		DRAIN PUMP CHOCK	NR
1	25	480151		PLUG	NR
1	27	304028		PIVOT	NR
2	1	211013		FLAT WIRE	NR
2	2	417119		NUT	NR
2	3	419036		INTERFACE BOARD DISTANCE KEEPERS	NR
2	4	80944		CONTROL KEYBOARD	NR
2	5	80871		MAGNETIC DOOR SWITCH	NR
2	6	026802		CONTROL ADHESIVE INTERFACE 520-620 SHARK	NR
2	7	230118		TANK HEATING ELEMENT	NR
2	8	437086		PACKING OF THE TANK RESISTANCE	NR
2	9	214088		PVC CURTAIN FOR ELECTRIC PROTECTION	NR
2	10	220011		TERMINAL BLOCK	NR

(*) Recommended spare part.

Page	Spare part position	Spare part code no.	Old code number	Description	U.m.
2	11	459005		CABLE-RETAINER	NR
2	12	H.374339-2		CABLE H07RN-F 5X2.5X2.5MT	NR
2	13	236047		SAFETY TANK THERMOSTAT 95C	NR
2	14	236052		THERMOSTAT 90+/-3C	NR
2	16	456002		O-RING	NR
2	17	231016		TEMPERATURE PROBE	NR
2	18	69871		PROBE HOLDER	NR
2	19	69870		BOILER HEATING ELEMENT PROTECTION	NR
2	20	230117		BOILER HEATING ELEMENT	NR
2	21	104061		BOILER	NR
2	22	214108		PVC CURTAIN FOR ELECTRIC PROTECTION	NR
2	23	229042		CONTACTOR 230V GMC-9M/4 50/60HZ	NR
2	25	215032-4		MAIN BOARD	NR
2	26	228012		FUSE	NR
2	27	228011		FUSE	NR
2	28	228004		FUSE (PART NR. REPLACED BY 228010)	
2	28	228010		FUSE	NR
2	29	456073		O-RING	NR
2	30	107013		AIR TRAP FOR PRESSURE SWITCH	NR
2	31	143235		PIPE	MT
2	32	224030		PRESSURE SWITCH	NR
2	33	028105		FIXING PLATE	NR
2	38	480153		PLUG	NR
2	43	461028		FOOT BOARD SUPPORT	NR
2	44	215039		MAIN BOARD SOFT-START	NR
2	50	214109		TRANSPARENT PROTECTION FOR ELECTRIC INSTALLATION FOR DISHWASHER	NR
2	51	214110		PART NUMBER NO LONGER AVAILABLE	
3	1	121135		SUCTION FILTER UNIT	NR
3	2	429072		RING NUT	NR
3	3	456076		O-RING	NR
3	4	136028		ASPIRATION AND DRAIN BODY	NR
3	5	80993		PLUG	NR

(*) Recommended spare part.

Page	Spare part position	Spare part code no.	Old code number	Description	U.m.
3	12	115143		MAINFOLD	NR
3	13	127085		DELIVERY WASH HOSE	NR
3	14	127082		DELIVERY WASH HOSE	NR
3	15	115142		MAINFOLD	NR
3	16	127084		DELIVERY WASH HOSE	NR
4	1	144021		BREAK TANK	NR
4	2	H.165168		PIPE	MT
4	3	437104		GASKET	NR
4	4	417125		NUT	NR
4	5	127096		SUCTION PIPE	NR
4	6	143235		PIPE	MT
4	7	224024		PRESSURE SWITCH	NR
4	8	127098		BOILER PIPE	NR
4	9	127095		BOILER PIPE	NR
4	10	144032		LOADING SYSTEM BOILER CRP WITH BELL PRESSURE SWITCH	NR
4	11	143004		PIPE	MT
4	12	69068		PIPE	NR
4	13	143270		INLET WRAS PIPE	NR
4	14	240018		SOLENOID VALVE	NR
4	15	143268		JUNCTION "Y"	NR
4	16	127097		DELIVERY WASH HOSE	NR
4	17	80627		RINSE PUMP 50 HZ	NR
5	1	429075		RING NUT	NR
5	2	437078		GASKET	NR
5	3	468165		UPPER RINSE PIPE CONNECTOR	NR
5	4	143235		PIPE	MT
5	5	144991		DRAIN PUMP VENT VALVE	NR
5	6	499092		DIAPHRAGM VALVE VENT	NR
5	7	476008		SPHERE	NR
5	8	437083		GASKET	NR
5	9	127092		DRAIN PUMP-VENT VALVE HOSE	NR
5	10	127087		DRAIN HOSE	NR

(*) Recommended spare part.

Page	Spare part position	Spare part code no.	Old code number	Description	U.m.
5	11	130177		PART NUMBER NO LONGER AVAILABLE (PART NR. REPLACED BY 999363)	
5	11	999363		DRAIN PUMP90- V 220/240- F50	NR
5	12	468152		DRAIN CONNECTION FOR DISHWASHERS SERIE	NR
5	13	143137		DRAIN HOSE	NR
5	14	127093		VENT VALVE HOSE	NR
5	45	468205		PIPE CONNECTION	NR
5	46	H.775611-001		PIPE	MT
6	1	437113		GASKET	NR
6	2	429069		RING NUT	NR
6	3	303040		RING	NR
6	4	325109		PART NUMBER NO LONGER AVAILABLE	
6	5	990128		RINSE AND WASH ARM	NR
6	6	454006		RING NUT	NR
6	7	437117		WASHER	NR
6	28	429073		RING NUT	NR
6	29	437102		GASKET	NR
6	31	121123		STAINER	NR
7	1	130977		WASH-BODY UNIT AND PUMP (130174)LA500 50HZ	NR
7	3	335015		WASHPUMP FUN	NR
7	4	206002		CAPACITOR	NR
7	6	141008		WASHPUMP SHAFT SEAL	NR
7	7	141009		WASHPUMP SHAFT SEAL	NR
7	8	124057		ELECTROPUMP IMPELLER	NR
7	10	456078		O-RING	NR
7	11	480159		PLUG	NR
7	12	429074		RING NUT	NR
7	13	486242		SCREW	NR
7	14	116032		ELECTROPUMP HOUSING	NR