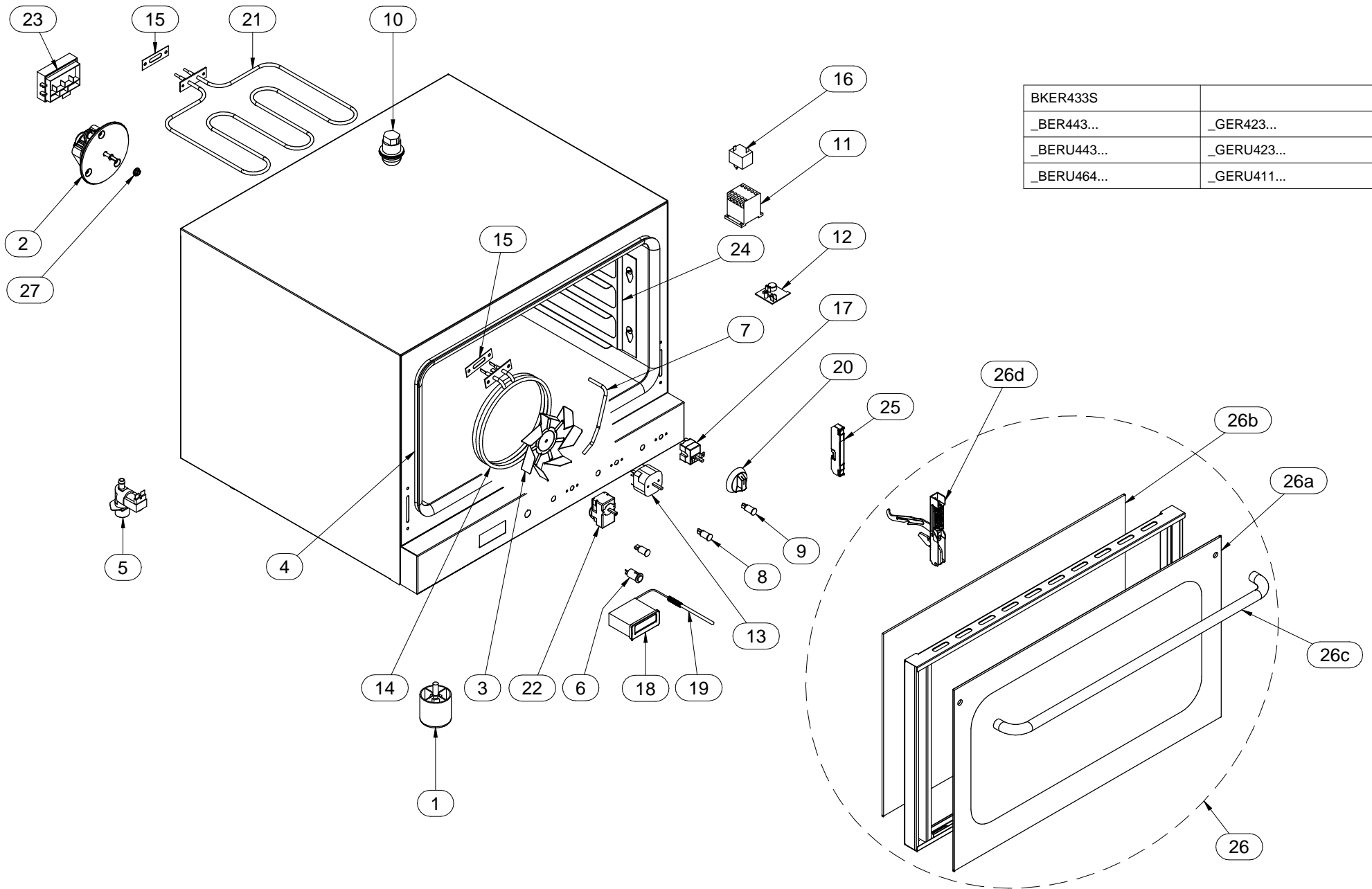


Mod./Type: **FORNO ELETTRICO 4T PORTA RIBALTA**
ELECTRIC OVEN 4T DROP DOWN DOOR

cod./num. 2531395.00

data/date: 27/05/2013



BKER433S	
_BER443...	_GER423...
_BERU443...	_GERU423...
_BERU464...	_GERU411...

Mod.:	FORNI ELETTRICI VENTILATI			cod. / num. 2531396.00		RICAMBI CONSIGLIATI - RECOMMENDED SPARE PARTS - PIÈCES DÉTACHÉES RECOMMANDÉES - EMPFOHLENE ERSAZTEILE	BER443ECO	BERU443ECO	BER443S ECO	BERU443S ECO	BER443	BERU443	BER443S BKER433S	BERU443S	BERU464 BKERU644	BERU464S	BERU464TD	BERU464S TD	BERU464PW	BERU464S PW	BERU464PW TD	BERU464S PW TD	NOTE																
	ELECTRIC FAN OVENS			data / date 03/06/2013																				Q. ty															
	POS.	DESCRIZIONE	DESCRIPTION	DENOMINATION	BENENNUNG																			COD.															
1	PIEDINO	FOOT	PIED	STELFUSS	551.011.00																																		
					551.012.00																																		
2	MOTORE	MOTOR	MOTEUR	MOTOR	M569010100	*	2	2	2	2																													
					564.038.00	*							2	2	2	2	2	2	2	2	2	2	2	2	2														
3	VENTOLA	FAN	VENTILATEUR	LÜFTERRAD	544.017.00	*	-	-	-	-	2	2	2	2	2	2	2	2	2	2	2	2																	
4	GUARNIZIONE	WASHER	GUARNITURE	DICHTUNGSRING	553.011.00		1	1	1	1	1	1	1	1																									
					553.012.00													1	1	1	1	1	1	1	1														
5	ELETTROVALVOLA	SOLENOID VALVE	ELECTROVANNE	ELEKTROVENTIL	256.055.00		-	1	-	1	-	1	-	1	1	1	1	1	1	1	1	1																	
6	PULSANTE INIEZIONE ACQUA	WATER INJECTION PUSH BUTTON	POUSSOIR INJECTION EAU	WASSERSPRITZKNOPF	561.039.00		-	1	-	1	-	1	-	1	1	1	1	1	1	1	1	1																	
7	EROGATORE	NOZZLE	INJECTEUR	SPRÜHDÖSE	531.036.00		-	1	-	1	-	1	-	1	1	1	1	1	1	1	1	1																	
8	SPIA VERDE	GREEN INDICATOR LIGHT	LAMPE TEMOIN VERTE	GRUENE KONTROLLAMPE	963.012.00		1	1	2	2	1	1	2	2	1	2	1	2	1	2	1	2																	
9	SPIA ARANCIO	ORANGE INDICATOR LIGHT	LAMPE TEMOIN ORANGE	ORANGE KONTROLLAMPE	963.013.00		1	1	1	1	1	1	1	1	1	1	1	1	1	1	1	1																	
10	LAMPADA	LAMP	LAMPE	LAMPE	563.004.00		1	1	1	1	1	1	1	1	1	1	1	1	1	1	1	1																	
11	CONTATTORE	CONTACTOR	CONTACTEUR	FERNSCHALTER	461.021.00	*	2	2	2	2	2	2	2	2	2	2	2	2	2	2	2	2																	
12	BUZZER	BUZZER	SONNERIE	KLINGELTON	256.052.00		1	1	1	1	1	1	1	1	1	1	1	1	1	1	1	1																	
13	TIMER	TIMER	TIMER	ZEITSCHALTUHR	561.041.00		1	1	1	1	1	1	1	1	1	1	1	1	1	1	1	1																	
14	RESISTENZA	HEATING ELEMENT	RESISTANCE	HEINZELEMENT	M563000800	*																																	
					M563000900	*	2	2	2	2																													
					565.005.00	*					2	2						2																					
15	GUARNIZIONE RESISTENZA	HEATING ELEMENT GASKET	JOINT DE LA RÉSISTENCE	WIDERSTAND-DICHTUNG	553.008.00		2	2	2	2	2	2	3	3	2	3	2	3	2	3	2	3																	
16	TERMOSTATO SICUREZZA	SAFETY THERMOSTAT	THERMOSTAT DE SECURITE	TEMPERATURBEGRENZER	561.036.00	*	1	1	1	1	1	1	1	1	1	1	1	1	1	1	1	1																	
17	TERMOSTATO	THERMOSTAT	THERMOSTAT	THERMOSTAT	561.038.00	*	1	1	1	1	1	1	1	1	1	1	1	1	1	1	1	1																	
18	TERMOMETRO DIGITALE	DIGITAL THERMOMETER	TERMOMÈTRE DIGITAL	DIGITALES THERMOMETER	561.043.00		-	-	-	-	-	-	-	-	-	-	-	-	-	-	-	-																	
19	SONDA TCJ	TCJ PROBE	SONDE TCJ	FÜHLER TCJ	561.044.00		-	-	-	-	-	-	-	-	-	-	-	-	-	-	-	-																	
20	MANOPOLA	KNOB	BOUTON	DREHKNOPF	551.014.00		2	2	3	3	2	2	3	3	2	3	2	3	2	3	2	3																	
21	RESISTENZA GRILL	GRILL HEATING ELEMENT	RESISTANCE DU GRILL	HEIZKOERPER GRILL	565.006.00		-	-	1	1	-	-	1	1	-	1	-	1	-	1	-	1																	
22	TIMER GRILL	GRILL TIMER	MINUTERIE GRIL	GRILL ZEITUHR	561.042.00		-	-	1	1	-	-	1	1	-	1	-	1	-	1	-	1																	
23	MORSETTIERA	TERMINAL BOARD	BORNES	KLEMMENBRETT	663.040.00		1	1	1	1	1	1	1	1	1	1	1	1	1	1	1	1																	
24	COPPIA REGGIGRIGLIA	TRAY RACK KIT	COUPLE DE PORTE-PLAQUES	PAAR EINHÄNGEGESTELL	503.508.40		1	1	1	1	1	1	1	1																									
					503.509.40												1	1	1	1	1	1	1	1															
25	PORTARULLINO	ROLL HOLDER	PORTE-AIGUILLE DE ROULEMENT	ROLLE-TRÄGER	584.005.00	*	2	2	2	2	2	2	2	2	2	2	2	2	2	2	2	2																	
26	PORTA	DOOR	PORTE	TÜR	256.238.00		1	1	1	1	1	1	1	1																									
					256.239.00												1	1	1	1	1	1	1	1															
26a	VETRO ESTERNO	OUTER GLASS	VERRE EXTÉRIEUR	ÄUßERES GLAS	555.014.00		1	1	1	1	1	1	1	1																									
					555.018.00												1	1	1	1	1	1	1	1															
26b	VETRO INTERNO	INNER GLASS	VERRE INTÉRIEUR	INNERES GLAS	555.013.00		1	1	1	1	1	1	1	1																									
					555.017.00												1	1	1	1	1	1	1	1															
26c	MANIGLIA	HANDLE	POIGNÉE	HANDGRIFF	511.108.00		1	1	1	1	1	1	1	1																									
					511.109.00												1	1	1	1	1	1	1	1															
26d	CERNIERA	JOINT	CHARNIERE	SCHARNIER	584.001.00	*	2	2	2	2	2	2	2	2	2	2	2	2	2	2	2																		
27	DADO VENTOLA	FAN NUT	ÉCROU VENTILATEUR	MUTTER DES LÜFTERRAD	564.045.00		-	-	-	-	2	2	2	2	2	2	2	2	2	2	2	2																	
28																																							
29																																							
30																																							
31																																							
32																																							
33																																							
34																																							

Mod.:	FORNI ELETTRICI VENTILATI			cod. / num. 2531396.00		RICAMBI CONSIGLIATI - RECOMMENDED SPARE PARTS - PIÈCES DÉTACHÉES RECOMMANDÉES - EMPFOHLENE ERSAZTEILE	GER423ECO	GERU423ECO	GER423S ECO	GERU423S ECO	GER423	GERU423	GER423S	GERU423S	GERU411	GERU411S	GERU411TD	GERU411S TD	GERU411PW	GERU411S PW	GERU411PW TD	GERU411S PW TD	NOTE																
	ELECTRIC FAN OVENS			data / date 03/06/2013																				Q. ty															
	POS.	DESCRIZIONE	DESCRIPTION	DENOMINATION	BENENNUNG																			COD.															
1	PIEDINO	FOOT	PIED	STELFUSS	551.011.00																																		
					551.012.00																																		
2	MOTORE	MOTOR	MOTEUR	MOTOR	M569010100	*	2	2	2	2																													
					564.038.00	*																																	
3	VENTOLA	FAN	VENTILATEUR	LÜFTERRAD	544.017.00	*	-	-	-	-	2	2	2	2	2	2	2	2	2	2	2	2																	
4	GUARNIZIONE	WASHER	GUARNITURE	DICHTUNGSRING	553.011.00		1	1	1	1	1	1	1	1	1																								
					553.012.00																																		
5	ELETTROVALVOLA	SOLENOID VALVE	ELECTROVANNE	ELEKTROVENTIL	256.055.00		-	1	-	1	-	1	-	1	1	1	1	1	1	1	1	1																	
6	PULSANTE INIEZIONE ACQUA	WATER INJECTION PUSH BUTTON	POUSSOIR INJECTION EAU	WASSERSPRITZKNOPF	561.039.00		-	1	-	1	-	1	-	1	1	1	1	1	1	1	1	1																	
7	EROGATORE	NOZZLE	INJECTEUR	SPRÜHDÖSE	531.036.00		-	1	-	1	-	1	-	1	1	1	1	1	1	1	1	1																	
8	SPIA VERDE	GREEN INDICATOR LIGHT	LAMPE TEMOIN VERTE	GRÜNE KONTROLLAMPE	963.012.00		1	1	2	2	1	1	2	1	2	1	2	1	2	1	2	1																	
9	SPIA ARANCIO	ORANGE INDICATOR LIGHT	LAMPE TEMOIN ORANGE	ORANGE KONTROLLAMPE	963.013.00		1	1	1	1	1	1	1	1	1	1	1	1	1	1	1	1																	
10	LAMPADA	LAMP	LAMPE	LAMPE	563.004.00		1	1	1	1	1	1	1	1	1	1	1	1	1	1	1	1																	
11	CONTATTORE	CONTACTOR	CONTACTEUR	FERNSCHALTER	461.021.00	*	2	2	2	2	2	2	2	2	2	2	2	2	2	2	2	2																	
12	BUZZER	BUZZER	SONNERIE	KLINGELTON	256.052.00		1	1	1	1	1	1	1	1	1	1	1	1	1	1	1	1																	
13	TIMER	TIMER	TIMER	ZEITSCHALTUHR	561.041.00		1	1	1	1	1	1	1	1	1	1	1	1	1	1	1	1																	
14	RESISTENZA	HEATING ELEMENT	RESISTANCE	HEINZELEMENT	M563000800	*																																	
					M563000900	*	2	2	2	2																													
					565.005.00	*																																	
15	GUARNIZIONE RESISTENZA	HEATING ELEMENT GASKET	JOINT DE LA RÉSISTENCE	WIDERSTAND-DICHTUNG	553.008.00		2	2	3	3	2	2	3	3	2	3	2	3	2	3	2	3																	
16	TERMOSTATO SICUREZZA	SAFETY THERMOSTAT	THERMOSTAT DE SECURITE	TEMPERATURBEGRENZER	561.036.00	*	1	1	1	1	1	1	1	1	1	1	1	1	1	1	1	1																	
17	TERMOSTATO	THERMOSTAT	THERMOSTAT	THERMOSTAT	561.038.00	*	1	1	1	1	1	1	1	1	1	1	1	1	1	1	1	1																	
18	TERMOMETRO DIGITALE	DIGITAL THERMOMETER	TERMOMÈTRE DIGITAL	DIGITALES THERMOMETER	561.043.00		-	-	-	-	-	-	-	-	-	-	-	-	-	-	-	-																	
19	SONDA TCJ	TCJ PROBE	SONDE TCJ	FÜHLER TCJ	561.044.00		-	-	-	-	-	-	-	-	-	-	-	-	-	-	-	-																	
20	MANOPOLA	KNOB	BOUTON	DREHKNOPF	551.014.00		2	2	3	3	2	2	3	3	2	3	2	3	2	3	2	3																	
21	RESISTENZA GRILL	GRILL HEATING ELEMENT	RESISTANCE DU GRILL	HEIZKOERPER GRILL	565.006.00		-	-	1	1	-	-	1	1	-	1	-	1	-	1	-	1																	
22	TIMER GRILL	GRILL TIMER	MINUTERIE GRIL	GRILL ZEITUHR	561.042.00		-	-	1	1	-	-	1	1	-	1	-	1	-	1	-	1																	
23	MORSETTIERA	TERMINAL BOARD	BORNES	KLEMMENBRETT	663.040.00		1	1	1	1	1	1	1	1	1	1	1	1	1	1	1	1																	
24	COPPIA REGGIGRIGLIA	TRAY RACK KIT	COUPLE DE PORTE-PLAQUES	PAAR EINHÄNGEGESTELL	503.511.40		1	1	1	1	1	1	1	1																									
					503.533.40																																		
25	PORTARULLINO	ROLL HOLDER	PORTE-AIGUILLE DE ROULEMENT	ROLLE-TRÄGER	584.005.00	*	2	2	2	2	2	2	2	2	2	2	2	2	2	2	2	2																	
26	PORTA	DOOR	PORTE	TÜR	256.238.00		1	1	1	1	1	1	1	1																									
					256.239.00																																		
26a	VETRO ESTERNO	OUTER GLASS	VERRE EXTÉRIEUR	ÄUßERES GLAS	555.014.00		1	1	1	1	1	1	1																										
					555.018.00																																		
26b	VETRO INTERNO	INNER GLASS	VERRE INTÉRIEUR	INNERES GLAS	555.013.00		1	1	1	1	1	1	1																										
					555.017.00																																		
26c	MANIGLIA	HANDLE	POIGNÉE	HANDGRIFF	511.108.00																																		
					511.109.00																																		
26d	CERNIERA	JOINT	CHARNIERE	SCHARNIER	584.001.00	*	2	2	2	2	2	2	2	2	2	2	2	2	2	2	2																		
27	DADO VENTOLA	FAN NUT	ÉCROU VENTILATEUR	MUTTER DES LÜFTERRAD	564.045.00		-	-	-	-	2	2	2	2	2	2	2	2	2	2	2	2																	
28																																							
29																																							
30																																							
31																																							
32																																							
33																																							
34																																							