
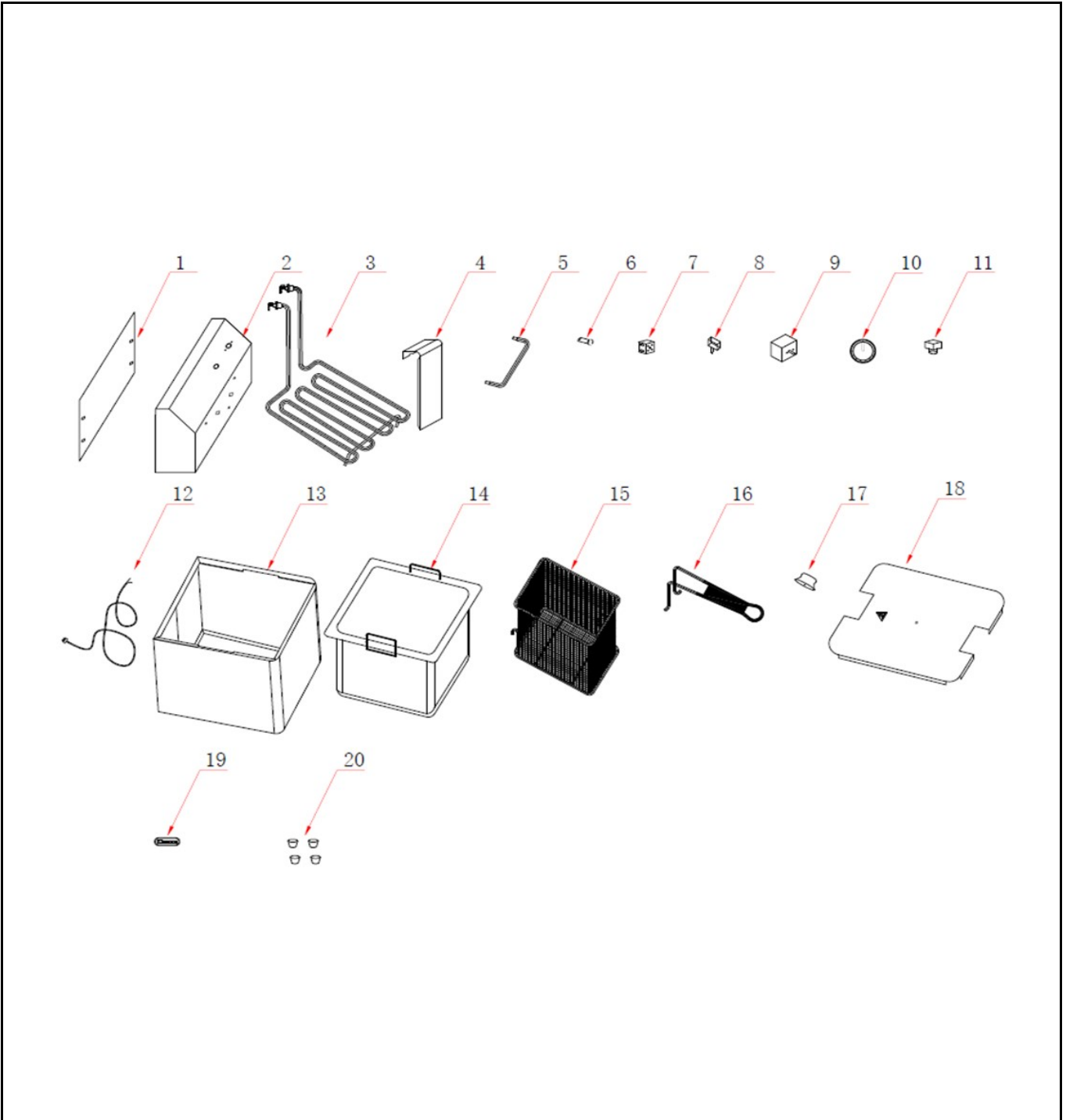



Drawing

| | | |
|---|-------------------------|-----------------|
|  | Batch # | Appliance part# |
| | HK020321 and up | 205822 |
| | Description | |
| | Deep fryer 8L Blue Line | |

| | | | |
|----------|------------------------|------------|-----|
| Date | 11-05-2021 | Revision # | 1.1 |
| Revision | Updated control panel. | | |



Bill of materials (BOM)

| | | |
|---|-------------------------|------------------------|
|  | Batch # | Appliance part# |
| | HK020321 and up | 205822 |
| | Description | |
| | Deep fryer 8L Blue Line | |


| | | | |
|-----------------|------------------------|-------------------|-----|
| Date | 11-05-2021 | Revision # | 1.1 |
| Revision | Updated control panel. | | |

| Item | Description | Part# | Quantity | Remark | Picture |
|------|--------------------------|--------|----------|---------------------|---------|
| 1 | Back cover | n/a | 1 | | |
| 2 | Front cover | n/a | 1 | | |
| 3 | Heating element | 930649 | 1 | | |
| 4 | Heating element cover | n/a | 1 | | |
| 5 | Bracket | n/a | 1 | | |
| 6 | Indicator light (orange) | 930533 | 1 | | |
| 7 | Terminal | 930540 | 1 | | |
| 8 | Microswitch | 930571 | 1 | | |
| 9 | Thermostat | 930557 | 1 | | |
| 10 | Knob thermostat | 934852 | 1 | | |
| 11 | Hi-limiter | 930595 | 1 | | |
| 12 | Power cord | 912027 | 1 | | |
| 13 | Fryer basin | n/a | 1 | | |
| 14 | Fryer basin | n/a | 1 | | |
| 15 | Fryer basket | 930656 | 1 | Incl. item 16 | |
| 16 | Fryer basket handle | nss | 1 | Available as 930632 | |
| 17 | Knob for lid | 940402 | 1 | | |
| 18 | Lid | n/a | 1 | | |
| 19 | Logo badge Hendi | 955963 | 1 | | |
| 20 | Feet | 930588 | 1 | Set of 4 | |
| * | Probe holder | 930663 | 2 | | |
| | | | | | |
| | | | | | |

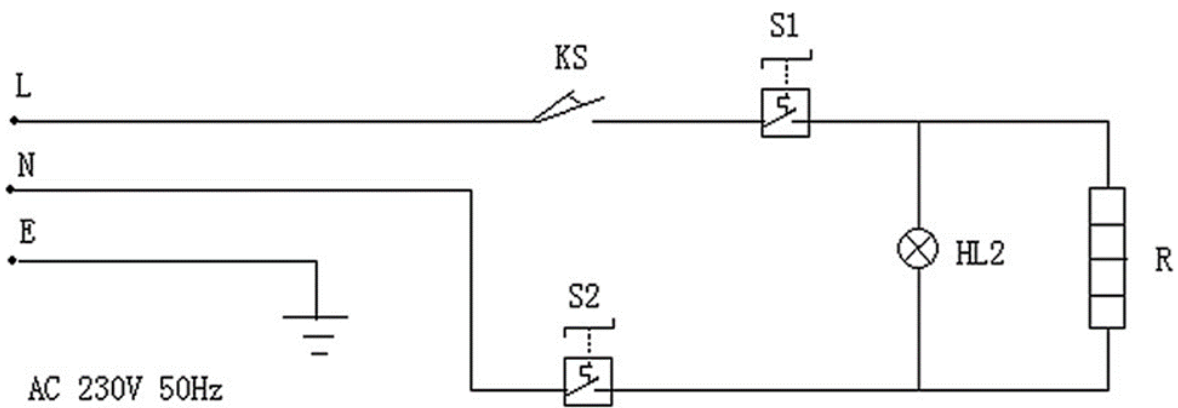
n/a -> not available

nss -> not sold separately

Circuit diagram

| | | |
|---|-------------------------|------------------------|
|  | Batch # | Appliance part# |
| | HK020321 and up | 205822 |
| | Description | |
| | Deep fryer 8L Blue Line | |

| | | | |
|-----------------|------------------------|-------------------|-----|
| Date | 11-05-2021 | Revision # | 1.1 |
| Revision | Updated control panel. | | |



S1 - Thermostat
 S2 - Hi Limiter
 KS - Switch

R - Element
 HL - Lamp Indicator