

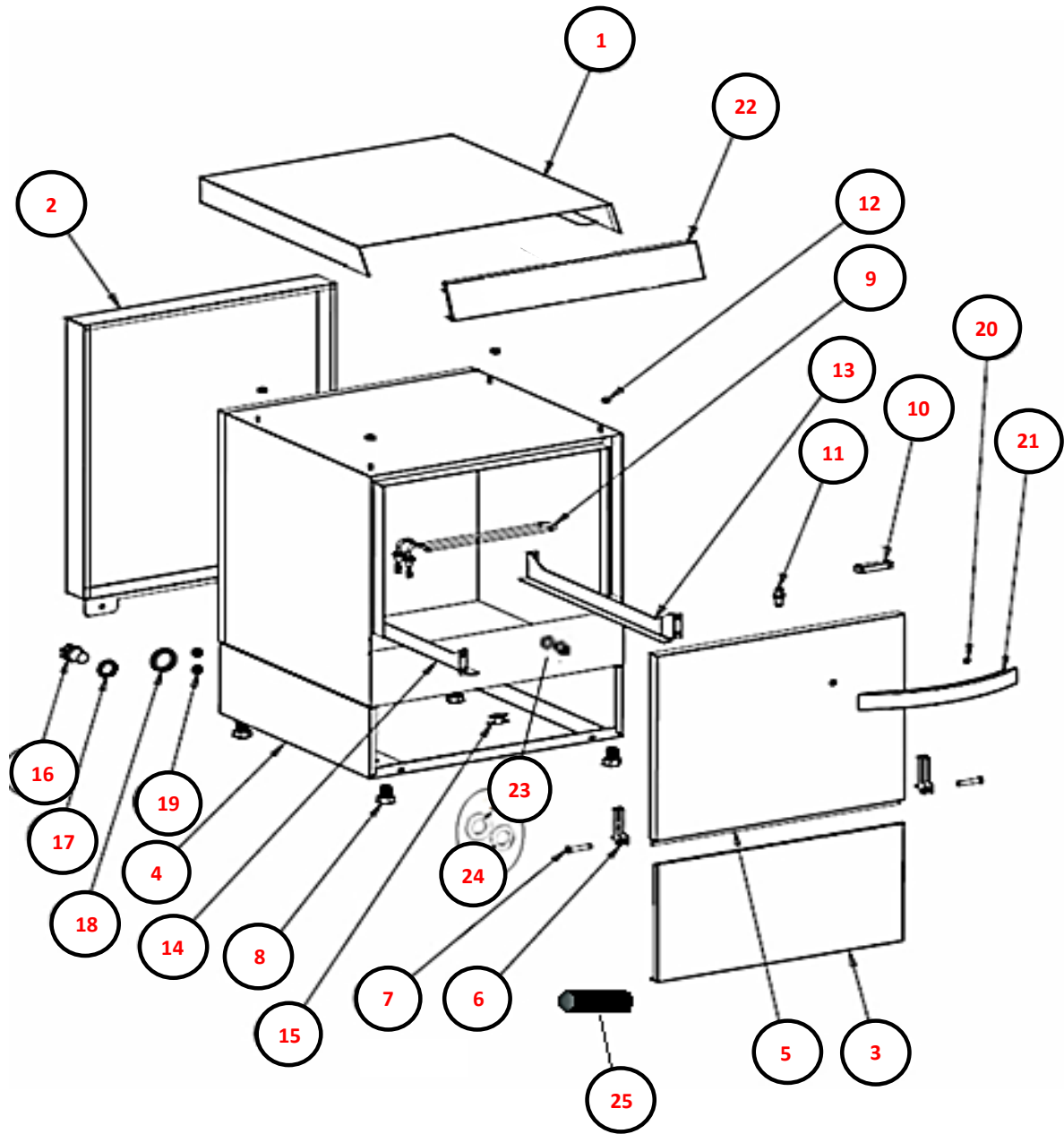
GGW1035E

POS	CODE	DESCRIPTION	DESCRIPTION	QTA
1	P1	PANNELLERIA	FRAME	1
2	P2	RISCIACQUO	RINSE	1
3	P3	LAVAGGIO	WASH	1
4	P4	GIRANTI	ARMS	1
5	P5	CABLAGGIO	WIRING	1
6	P6	DOSATORE	CHEMICAL PUMP	1



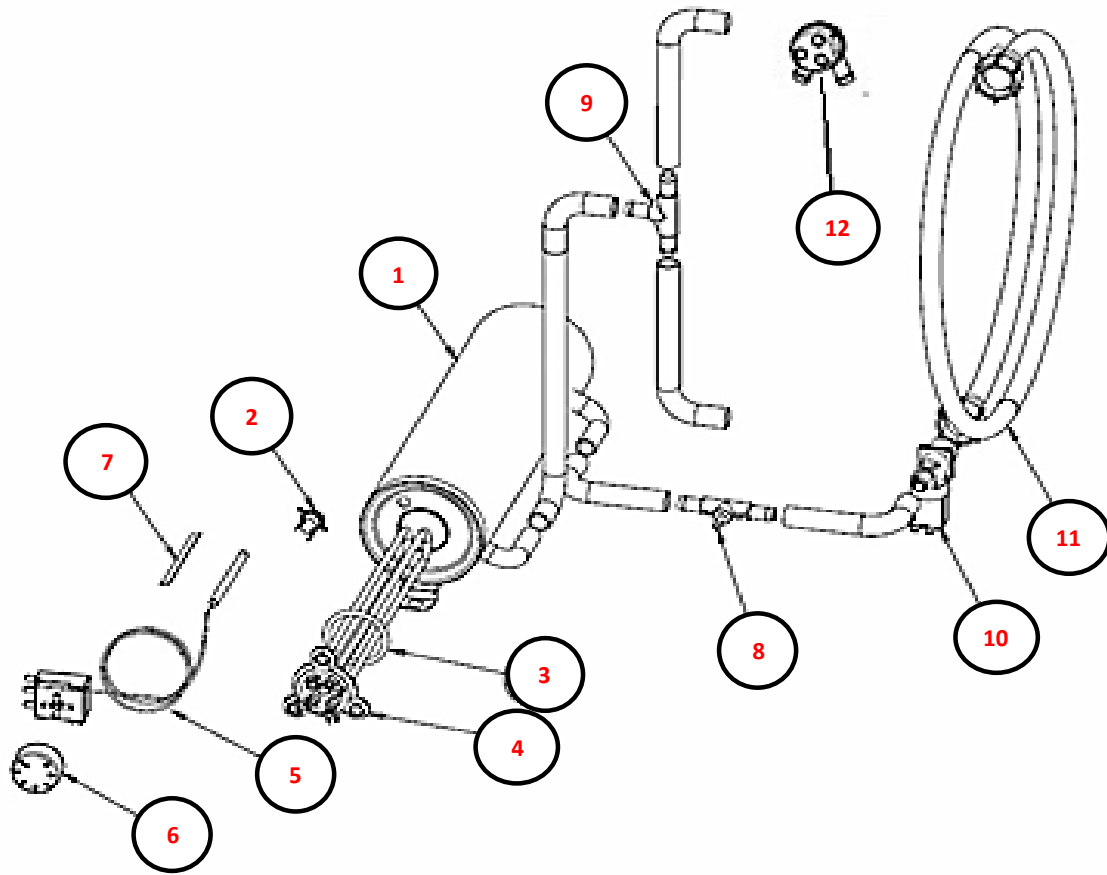
POS	CODE	DESCRIZIONE	DESCRIPTION	NR
1	900535	PANN. SUP. E35 ECO	UPPER PANEL E35 ECO	1
2	901948	PANN. POST. E35 E35R 2012	BACK PANEL E35 E35R 2012	1
3	906972	PANN. INF. E35 E35R 2012	LOWER PANEL E35 E35R 2012	1
4	900258	VASCA+BASAMENTO E35	TANK+BASEMENT E35	1
5	900604	PORTA E35 ECO CON M.A.	DOOR WITH ALUMINIUM HANDLE E35	1
6	901245	CERNIERA PORTA SERIE S-N-E	DOOR HINGE MODEL S-N-E	1
7	904795	PERNO PORTA	DOOR PIVOT	1
8	905000	PIEDINO LAVAGGIO PVC NEW	FEET, WASH PVC NEW	1
9	905771	RESIST. VASCA 1.6KW 230V	TANK HEATING ELEMENT 1.6KW 230V	1
10	903651	MAGNETE + CUSTODIA FRONTALI	MAGNET + CONTAINER DISHWASHER	1
11	906121	SCROCCHETTO CON ROTELLA + DADO	LATCH WITH WHEEL + NUT	1
12	902132	GHIERA FISSAGGIO PANNELLO SUPERIORE	FASTENING FERRULE, UPPER PANEL	1
13	909950	GUIDA CESTELLO DX E35	BASKET GUIDE RH E35	1
14	909951	GUIDA CESTELLO SX E35	BASKET GUIDE LH E35	1
15	907244	TERMOSTATO VASCA 55° PASTIGLIA	TANK THERMOSTAT 55° PADDLE	1
16	902683	PRESSACAVO PG16	CABLE GLAD PG16	1
17	902677	GHIERA PRESSACAVO PG16	FERRULE CAGLE GLAND PG16	1
18	904721	PASSACAVO TUBO SCARICO LAVAGGIO	CABLE BUSHING DRAIN HOSE	1
19	904723	PASSACAVO TUBO BRILL./DET.	CABLE BUSHING RINSE PRODUCT/DETERGENT HOSE	1
20	906011	RONDELLA Ø5 P. PPL	WASHER Ø5 P. PPL	1
21	906217	MANIGLIA ALLUMINIO SATINATA PORTA 2016	GLAZED ALUMINUM HANDLE DOOR 2016	1
22	907898	RETROT. E35 ECO 2016 COMPLETO	COMPLETE BACK PLATE E35 ECO 2016	1
23	906010	RONDELLA Ø5 P.	WASHER Ø5 P.	1
24	903253	GUARN. RACC. DOS/SFIATO PS	GASKET DOSING UNIT/AIR VENT JUNCTION	1
25	904958	PROT. RESISTENZA VASCA IN SILICONE	TANK-HEATING ELEMENT PROTECTION SILICONE	1





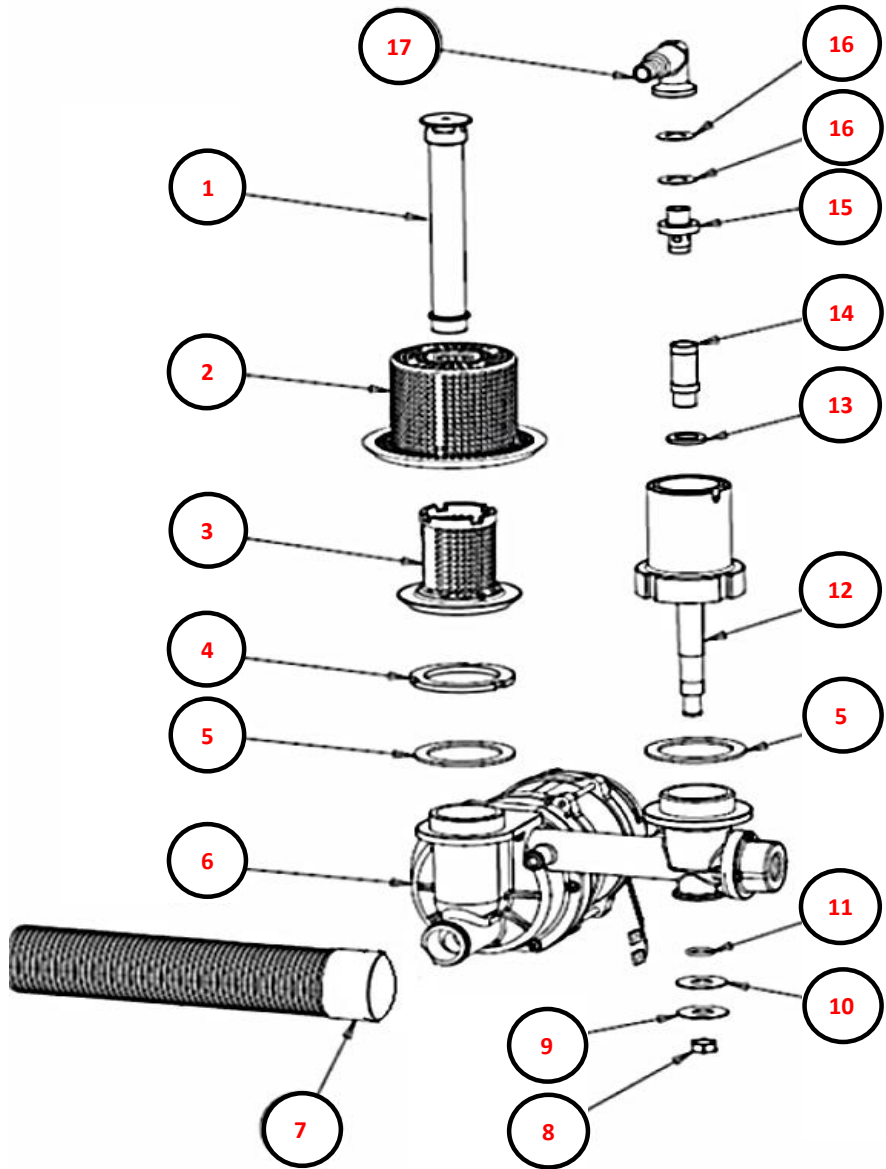
POS	CODE	DESCRIZIONE	DESCRIPTION	NR
1	900368	BOILER E35-E40-E40H-E40HL	BOILER E35-E40-E40H-E40HL	1
2	907297	TERMOSTATO SICUR. 110° PASTIGLIA	SAFETY THERMOSTAT 110° PADDLE	1
3	907981	OR RES. 2.6/4.5/6/8 KW	OR HEATING ELEMENT 2.6/4.5/6/8 KW	1
4	905496	RESIST. BOILER 2.6KW 230V +OR	BOILER HEATING ELEMENT 2.6KW 230V +OR	1
5	TR0440	TERMOSTATO BOILER 0/90 LAVASTOVIGLIE	THERMOSTAT BOILER 0/90 DISHWASHER	1
6	903982	MANOPOLA TERMOSTATO 0/90°	THERMOSTAT KNOB 0/90°	1
7	904075	LAMELLA OTTONE	BRASS PLATE	1
8	905434	RACC. 3 VIE DOSATORE SU POMPA	THREE-WAY CONNECTION DOSING PUMP	1
9	905382	RACC. 3 VIE RISCIAQUO	THREE-WAY CONNECTION RINSE	1
10	902390	ELETTROV. 1 VIA Ø10	1-WAY SOLENOID VALVE Ø10	1
11	907348	TUBO CARICO 90° 1500MM S 800 HW	WATER LOAD HOSE 90° 1500MM S 800 HW	1
12	908762	VALVOLA ANTIRIFLUSSO 3/4 ESTERNA	EXTERNAL NON-RETURN VALVE 3/4	1





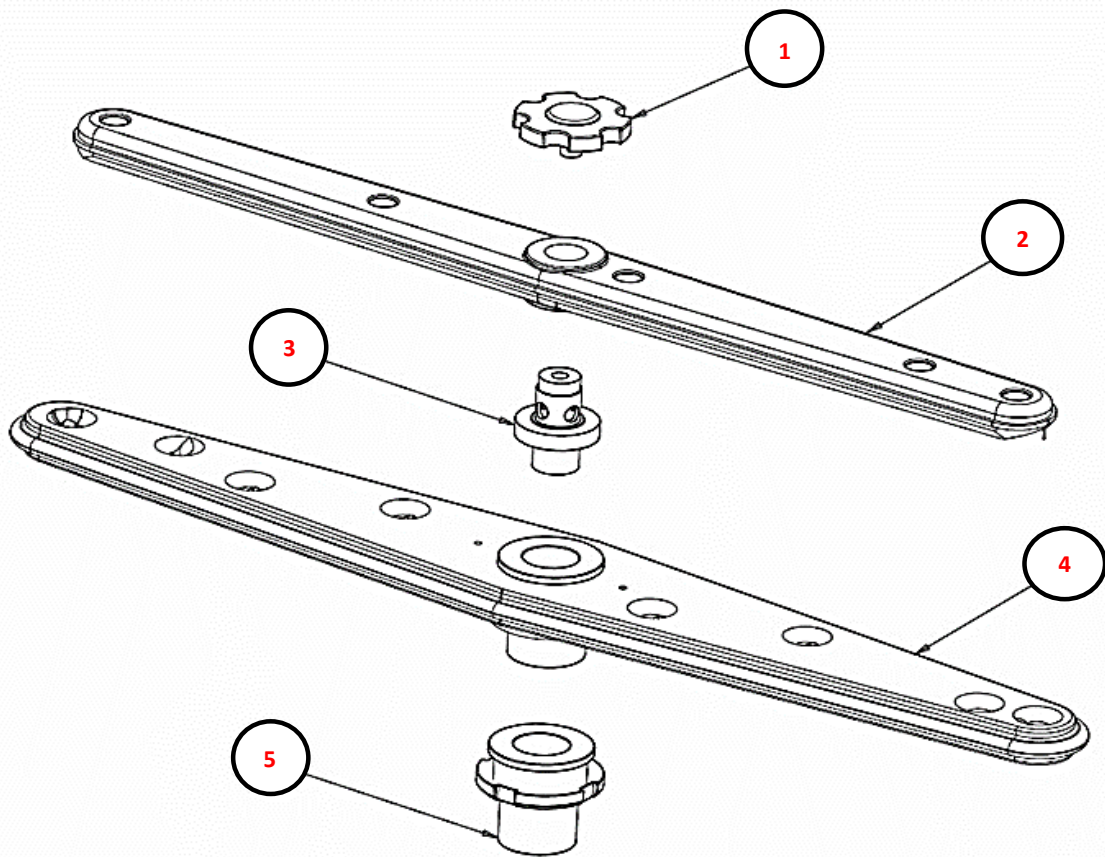
POS	CODE	DESCRIZIONE	DESCRIPTION	NR
1	902276	TROPPO PIENO H159 SERIE S/E	OVERFLOW CAP H159 MODEL S/E	1
2	902273	FILTRO ASPIRAZIONE SERIE S/E	ASPIRATION FILTER MODEL S/E	1
3	902271	FILTRO FILETTATO CORPO POMPA SERIE S/E	THREADED FILTER PUMP MODEL S/E	1
4	902133	GHIERA INOX 1" 1/2 POMPA SERIE S/E	STAINLESS-STEEL FERRULE 1" 1/2, PUMP MODEL S/E	1
5	903301	GUARN. MOZZO GIRANTI SP.3	ARM-HUB GASKET SP.3	2
6	902258	POMPA 0.17KW 230/1/50 SERIE S GIS	PUMP 0.17KW 230/1/50 MODEL S GIS	1
7	907446	TUBO SCARICO Ø21-29 1500MM DRITTO	DRAIN HOSE Ø21-29 1500MM STRAIGHT	1
8	904534	DADO ES.17 1/4 INOX	STAINLESS-STEEL NUT ES.17 1/4	1
9	906004	RONDELLA Ø30X13.5X0.8 ROMPIGETTO	WASHER Ø30X13.5X0.8 FAUCET AERATOR	1
10	903303	GUARN. RISCIAQUO POMPA SERIE S/E	RINSE-PUMP GASKET MODEL S/E	1
11	906222	OR VALVOLA ANTIRIFLUSSO_RISCIAQUO	OR NON RELIEF VALVE RINSE	1
12	902268	MOZZO INF. LAV. RISC. SERIE S/E	LOWER WASH/RINSE HUB MODEL S/E	1
13	906006	RONDELLA Ø23X13.5X2.5 ROMPIGETTO SERIE S/E	WASHER Ø23X13.5X2.5 FAUCET AERATOR MODEL S/E	1
14	904765	PERNO GIRANTE LAV. SUP. INF. 32MM	UPPER/LOWER PIVOT WASH ARM 32MM	1
15	908771	PERNO GIRANTE RISC. PIATTA PPL E INOX	PIVOT FLAT RINSE ARM (POLYPROPYLENE AND STAINLESS STEEL)	1
16	903351	GUARN. FIBRA RACC. RISC. SUP.	FIBRE GASKET UPPER RINSE JUNCTION	2
17	908100	RACC. GOMITO 1/4" + RACC. D.10	ELBOW CONNECTION 1/4" + CONNECTION D.10	1





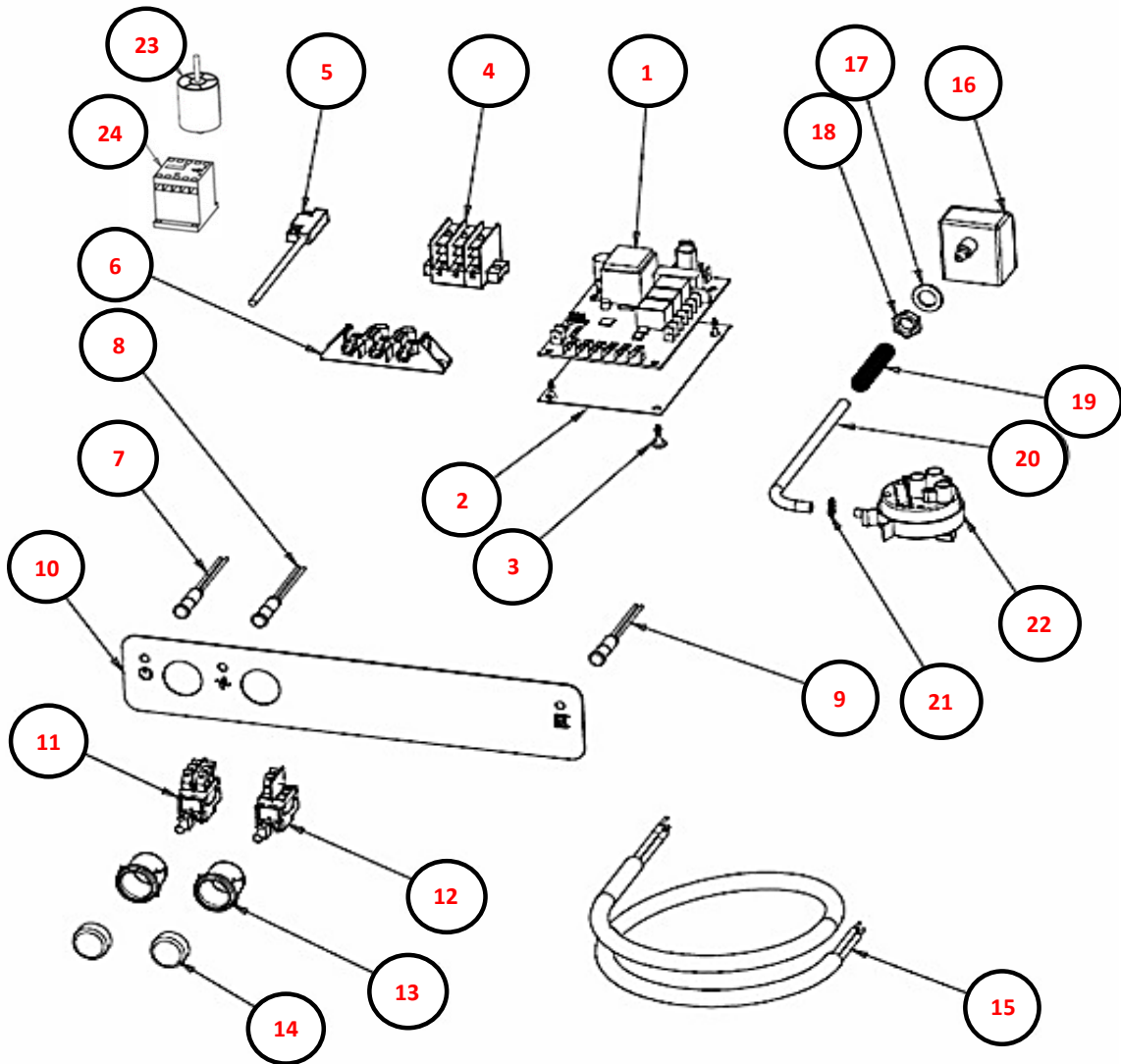
POS	CODE	DESCRIZIONE	DESCRIPTION	NR
1	902880	GHIERA FERMO GIRANTI	STOP FERRULE, ARMS	2
2	907955	GIRANTE RISC. 1 PPL	RINSE ARM 1 PP	2
3	908771	PERNO GIRANTE RISC. PIATTA PPL E INOX	PIVOT FLAT RINSE ARM (POLYPROPYLENE AND STAINLESS STEEL)	2
4	902905	GIRANTE LAV. 1	WASH ARM 1	1
5	904277	MOZZO CON GHIERA GIRANTE LAV.	HUB WITH FERRULE, WASH ARM	1





POS	CODE	DESCRIZIONE	DESCRIPTION	NR
1	907169	SCHEDA TRONIC CLONE ELCA	TRONIC BOARD CLONE ELCA	1
2	903623	ISOLATORE SCHEDE 907169	BOARD INSULATOR 907169	1
3	902193	DISTANZIALE TIMER ELETTRONICO	ELECTRONIC TIMER SPACER	4
4	904164	MORSETTO TRIPOLARE CON SPALLA	3-POLE CLAMP WITH BRACKET	1
5	909290	REED MAGNETICO LAVASTOVIGLIE	MAGNETIC REED WAREWASHER	1
6	904140	MORSETTIERA 3 POLI	TERMINAL BOX 3 POLES	1
7	903688	LAMP. SPIA Ø 6 VERDE+CAVI	GREEN WARNING LIGHT Ø 6 + CABLES	1
8	903686	LAMP. SPIA Ø 6 ARANCIO+CAVI CICLO_DEP.	ORANGE WARNING LIGHT Ø 6 +CABLES	1
9	903644	LAMP. SPIA Ø 6 ARANCIO+CAVI BOILER_RF	ORANGE WARNING LIGHT Ø 6 +BOILER CABLES_RF	1
10	902676	TARGA SERIE ECO PROFESSIONAL SILANOS VERDE	PLATE PROFESSIONAL SILANOS	1
11	905314	INTERRUTTORE/DEVIATORE 6 FASTON INCLIN.	SWITCH/DIVERTER 6 INCLINED FASTONS	1
12	905312	PULS. 2 FASTON INCLINATO	2-INCLINED-FASTON BUTTON	1
13	905341	SUPP. PULS. TONDO Ø25 ARG.	ROUND-BUTTON SUPPORT Ø25 SILVER	2
14	905330	TASTO TONDO Ø25 BLU LUCIDO	ROUND BUTTON Ø25 GLOSSY BLUE	2
15	908130	CAVO ALIMENTAZ. 3X2.5X3000 SPINA SCUKO	POWER-SOURCE CABLE 3X2.5X3000 SHUKO PLUG	1
16	905266	TRAPPOLA ARIA 45MM GRIGIO NEW	AIR TRAP 45MM GREY NEW	1
17	903263	GUARN. M12 TR.ARIA	GASKET M12 AIR TRAP	1
18	902038	DADO M12 PPL	NUT M12 PPL	1
19	904131	MOLLA PROTEZIONE TUBETTO	SPRING PROTECTING TUBE	1
20	907279	TUBO SILICONE 4X7	SILICONE HOSE 4X7	0,5
21	902425	FASCETTA BIFILARE A MOLLA 7.8X8.3	TWO-WIRE SPRING CLAMP 7.8X8.3	1
22	905270	PRESSOSTATO 20/40	PRESSURE SWITCH 20/40	1





POS	CODE	DESCRIZIONE	DESCRIPTION	NR
1	902201	DOSATORE BRILL. IDRAULICO SEKO	HYDRAULIC RINSE PRODUCT DOSING UNIT SEKO	1
2	903249	SUPP. TERMOSTATO TG - DOSATORE BRILL. SEKO	THERMOSTAT TG - RINSE-PRODUCT PUMP SUPPORT	1
3	907279	TUBO SILICONE 4X7	SILICONE HOSE 4X7	1
4	902046	TUBO CRYSTAL TRASP. 4X7	TRASPARENT HOSE 4X7	2,5
5	906620	PESO TUBETTO DET./BRILL.	WEIGHT RINSE PRODUCT/ETERGENT HOSE	1
6	902569	FILTRO DOSATORE	DOSING UNIT FILTER	1

