

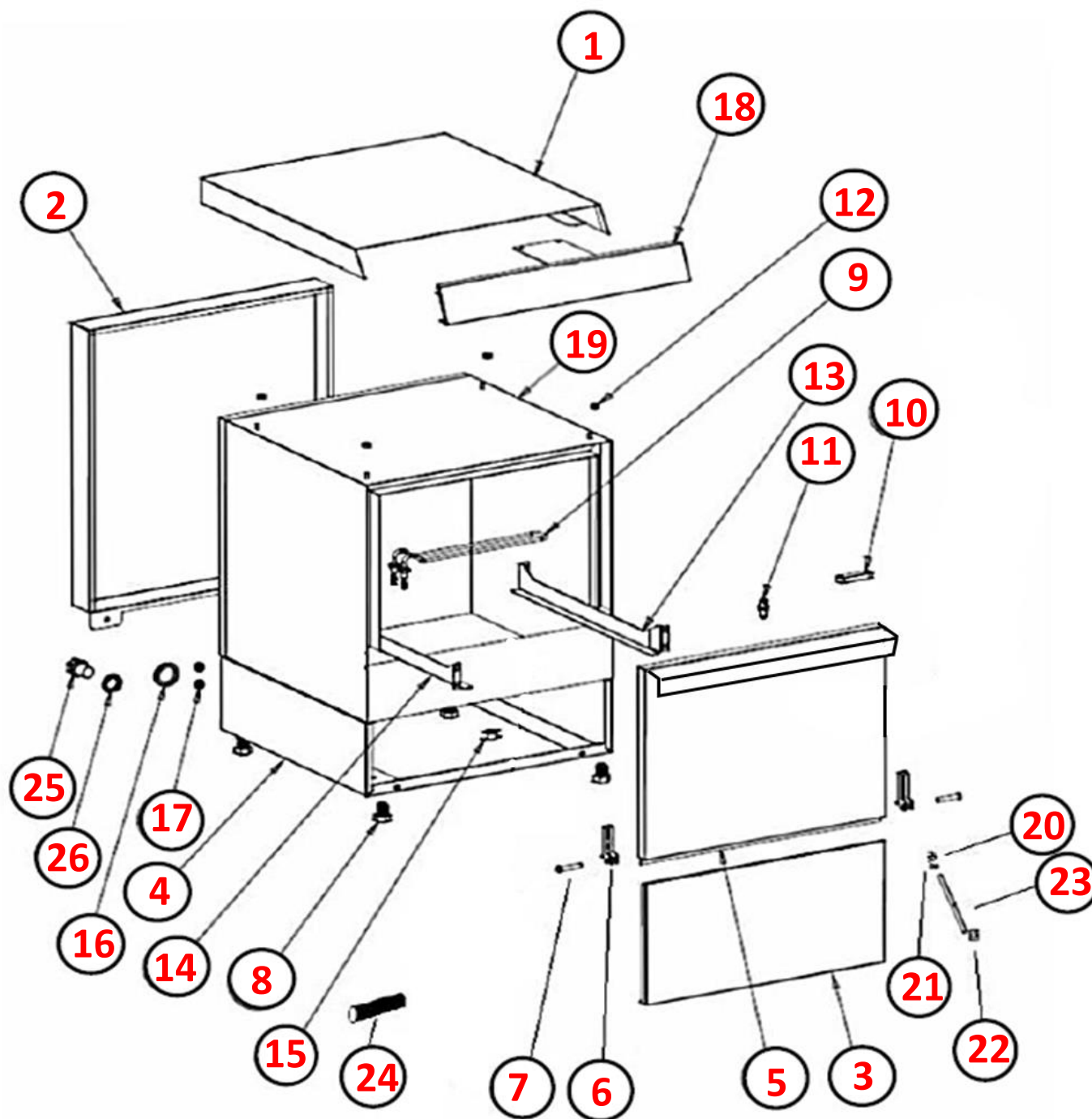
GDW1050E3P

POS	CODE	DESCRIPTION	DESCRIPTION	QTA
1	P1	PANNELLERIA	FRAME	1
2	P2	RISCIACQUO	RINSE	1
3	P3 (3)	LAVAGGIO	WASH	1
4	P4 (2)	GIRANTI	ARMS	1
5	P5	CABLAGGIO	WIRING	1
6	P6	DOSATORE	CHEMICAL PUMP	1



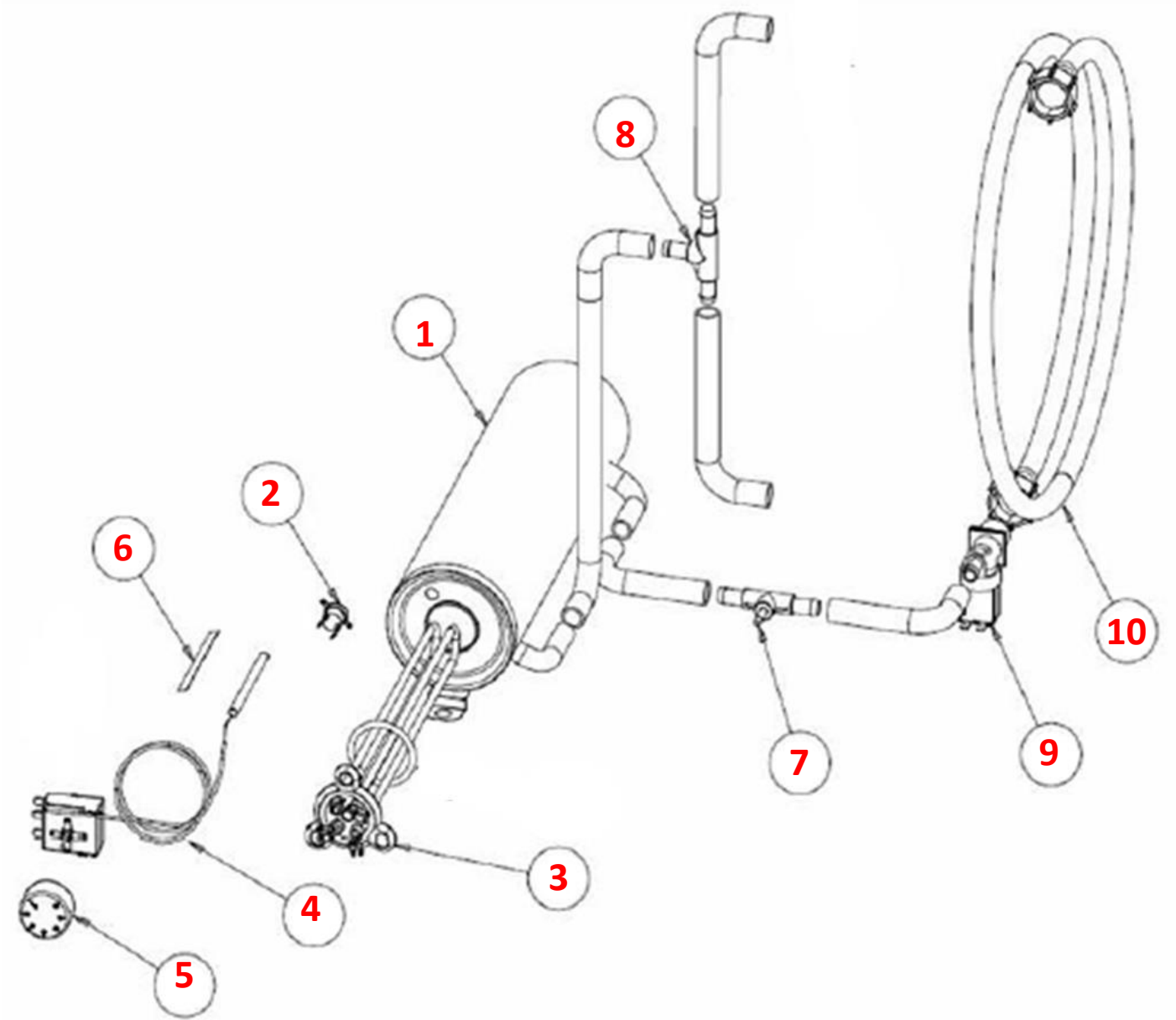
POS	CODE	DESCRIZIONE	DESCRIPTION	NR
1	900554	PANNELLO SUPERIORE E50 ECO	UPPER PANEL E50 ECO	1
2	901802	PANN. POST. E50	BACK PANEL E50	1
3	904508	PANN. INF. E50	LOWER PANEL E50	1
4	900254	BASAMENTO E50	BASEMENT E50	1
5	905185	PORTA N700-E50 CON M.I.	DOOR WITH STAINLESS-STEEL HANDLE N700-E50	1
6	901245	CERNIERA PORTA SERIE S-N-E	DOOR HINGE MODEL S-N-E	2
7	904795	PERNO PORTA	DOOR PIVOT	2
8	905000	PIEDINO LAVAGGIO PVC NEW	FEET, WASH PVC NEW	4
9	905745	RESIST. VASCA 2.5KW 230V	TANK HEATING ELEMENT 2.5KW 230V	1
10	903651	MAGNETE + CUSTODIA FRONTALI	MAGNET + CONTAINER DISHWASHER	1
11	906121	SCROCCHETTO CON ROTELLA + DADO	LATCH WITH WHEEL + NUT	1
12	902132	GHIERA FISSAGGIO PANNELLO SUPERIORE	FASTENING FERRULE, UPPER PANEL	4
13	909954	GUIDA CESTELLO DX E50/700	BASKET GUIDE RH E50/700	1
14	909955	GUIDA CESTELLO SX E50/700	BASKET GUIDE LH E50/700	1
15	907244	TERMOSTATO VASCA 55° PASTIGLIA	TANK THERMOSTAT 55° PADDLE	1
16	904721	PASSACAVO TUBO SCARICO LAVAGGIO	CABLE BUSHING DRAIN HOSE	1
17	904723	PASSACAVO TUBO BRILL./DET.	CABLE BUSHING RINSE PRODUCT/DETERGENT HOSE	1
18	907909	RETROT. E50 ECO 2'/3' SENZA ABBASS. COMPL.	BACK PLATE	1
19	902791	VASCA E50 POZZETTO 8 FORI	TANK E50 COCKPIT 8 HOLES	1
20	902040	DADO ATB 6	NUT ATB 6	2
21	905424	FERMO TIRANTE PORTA M6	TIE-ROD DOOR STOP M6	2
22	904952	PIASTRINA SCORR. TIRANTE PORTA	SLIDING PLATE FOR SPRINGS TIGHTENING	2
23	902740	TIRANTE PORTA M6X265	DOOR TIE-ROD M6X265	2
24	904958	PROT. RESISTENZA VASCA IN SILICONE	TANK-HEATING ELEMENT PROTECTION SILICONE	2
25	902683	PRESSACAVO PG16	CABLE GLAD PG16	1
26	902677	GHIERA PRESSACAVO PG16	FERRULE CAGLE GLAND PG16	1





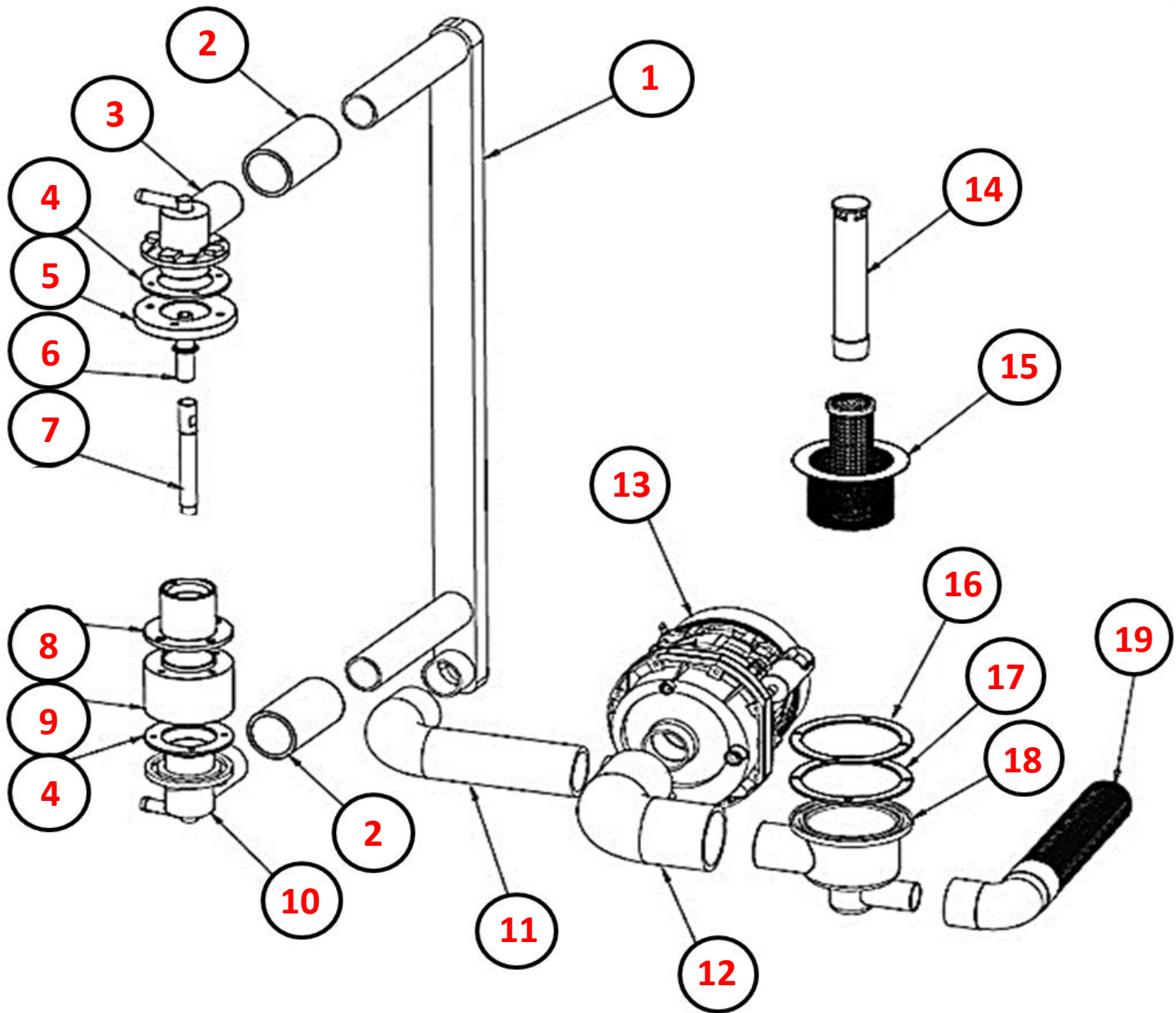
POS	CODE	DESCRIZIONE	DESCRIPTION	NR
1	900384	BOILER 600-700-N45-N50-N90 5LT.	BOILER 600-700-N45-N50-N90 5LT.	1
2	907297	TERMOSTATO SICUR. 110° PASTIGLIA	SAFETY THERMOSTAT 110° PADDLE	1
3	905569	RESIST. BOILER 3.5KW 230V +OR	BOILER HEATING ELEMENT 3.5KW 230V +OR	1
4	TR0440	TERMOSTATO BOILER 0/90 LAVASTOVIGLIE	THERMOSTAT BOILER 0/90 DISHWASHER	1
5	903982	MANOPOLA TERMOSTATO 0/90°	THERMOSTAT KNOB 0/90°	1
6	904075	LAMELLA OTTONE	BRASS PLATE	1
7	905434	RACC. 3 VIE DOSATORE SU POMPA	THREE-WAY CONNECTION DOSING PUMP	1
8	905382	RACC. 3 VIE RISCIAQUO	THREE-WAY CONNECTION RINSE	1
9	902390	ELETTROV. 1 VIA Ø10	1-WAY SOLENOID VALVE Ø10	1
10	907348	TUBO CARICO 90° 1500MM S 800 HW	WATER LOAD HOSE 90° 1500MM S 800 HW	1





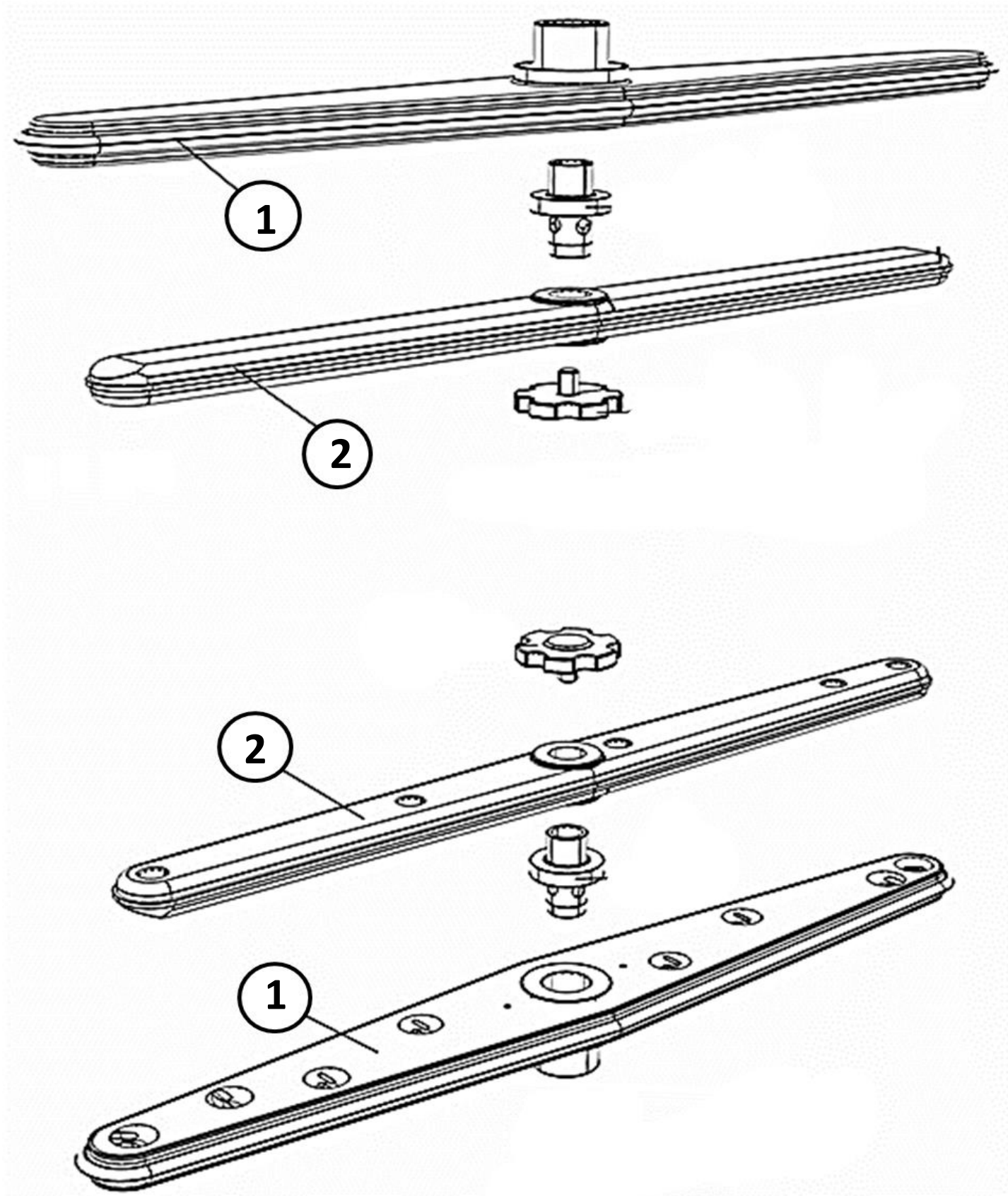
POS	CODE	DESCRIZIONE	DESCRIPTION	NR
1	908701	COLONNA LAVAGGIO N700/E50	WASH COLUMN N700/E50	1
2	903756	TRONCHETTO MAND. N45/N50/N90/N700FH	INLET SOCKET N45/N50/N90/N700FH	2
3	905456	MOZZO LAV. DX	WASH HUB RH	1
4	908141	GUARN. RACC. LAV. N45/N50/N700/N1000	GASKET WASH JUNCTION N45/N50/N700/N1000	2
5	908154	FLANGIA NORYL MOZZO SUP. LAVAPIATTI	FLANGE UPPER HUB - DISHWASHER	1
6	904799	PERNO LAV. SUP. N600/N700/N45/N50	PIVOT UPPER WASH N600/N700/N45/N50	1
7	908705	PERNO LAV. INF. N600/N700/E45/E50	LOWER-WASH-ARM PIVOT N600/N700/E45/E50	1
8	905388	RACC. INF. LAV. E45/E50/N45/N50/N700/N1000	LOWER RINSE CONNECTION E45/E50/N45/N50/N700/N1000	1
9	908702	DISTANZIALE RACC. LAV. N700/N750	WASH CONNECTION SPACER N700/N750	1
10	905449	MOZZO LAV. SX	WASH HUB LH	1
11	909371	MANICOTTO MANDATA N750/E50/E45	INLET SLEEVE N750/E50/E45	1
12	903758	MANICOTTO ASP. N700	ASPIRATION SLEEVE N700	1
13	902263	POMPA 0.40KW 230/1/50 N700-N750-E45-E50	PUMP 0.40KW 230/1/50 N700-N750-E45-E50	1
14	900129	TROPPO PIENO N650-N750-E45-E50 PS 2015	OVERFLOW CAP N650-N750-E45-E50 PS 2015	1
15	902399	FILTRO CON CILINDRO PPL H140MM Ø98MM	FILTER WITH PLASTIC BARREL H140MM Ø98MM	1
16	905238	FLANGIA POZZETTO MAGGIORATO ASP./SCAR.	FLANGE ASPIRATION/DRAIN SOAKAWAY	1
17	905378	GUARN. POZZETTO MAGGIORATO	INCREASED PIT GASKET	1
18	905236	POZZ. ASPIRAZ. MAGGIORATO ASP. Ø45	INCREASED SUMP Ø45	1
19	907440	TUBO SCARICO Ø24 1500MM	DRAIN HOSE Ø24 1500MM	1





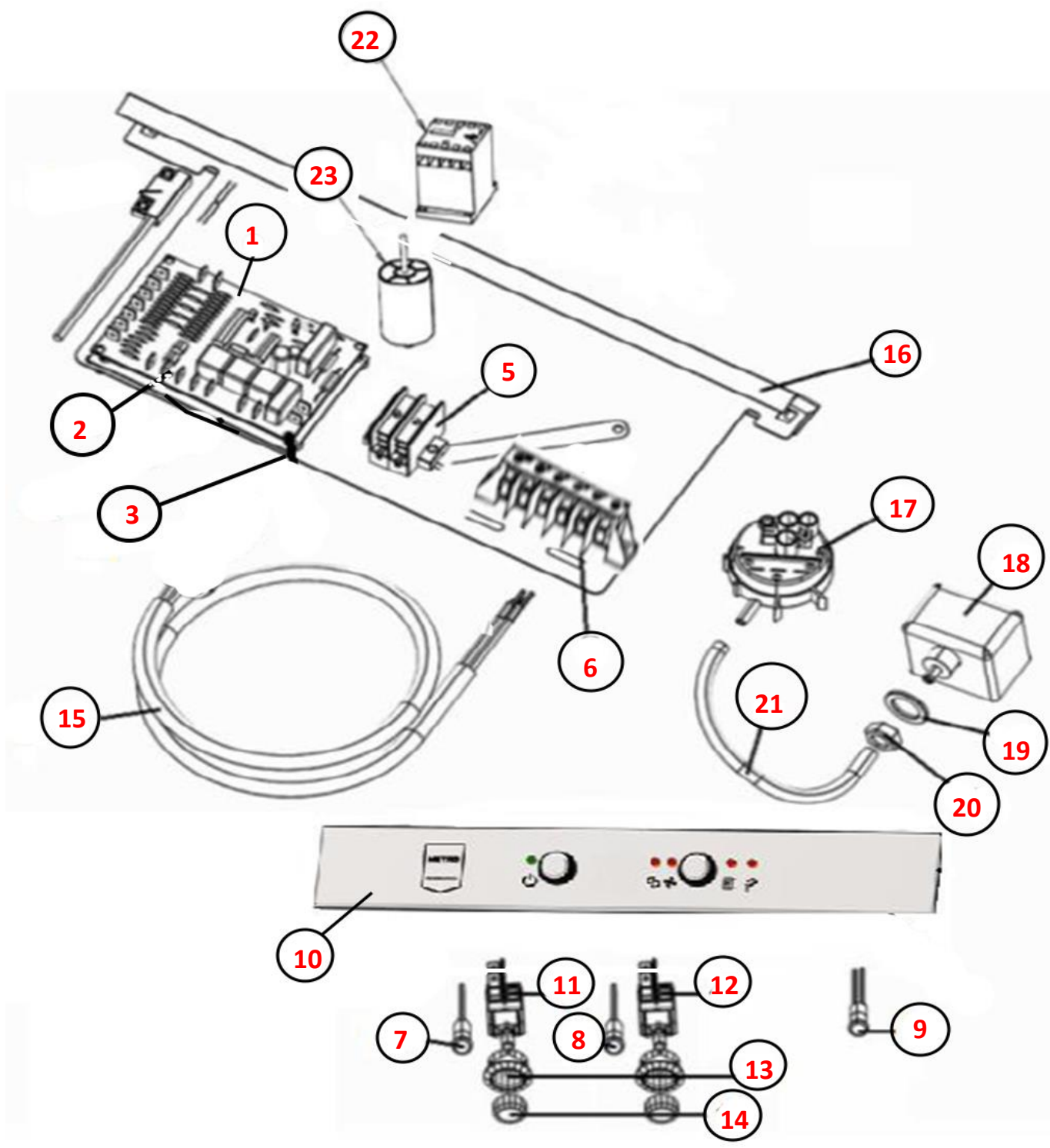
POS	CODE	DESCRIZIONE	DESCRIPTION	NR
1	903107	GIRANTE LAVAGGIO SP.4 CON MOZZO	WASH ARM 4 WITH HUB	2
2	907958. 204	GRUPPO GIRANTE RISC. 4 PPL	HEATING IMPELLER GROUP 4 PPL	2





POS	CODE	DESCRIZIONE	DESCRIPTION	NR
1	907169	SCHEDA TRONIC CLONE ELCA	TRONIC BOARD CLONE ELCA	1
2	903623	ISOLATORE SCHEDE 907169	BOARD INSULATOR 907169	1
3	902193	DISTANZIALE TIMER ELETTRONICO	ELECTRONIC TIMER SPACER	4
4	904167	MORSETTO QUADRIPOLE CON SPALLA	4-POLE CLAMP WITH BRACKET	1
5	909290	REED MAGNETICO LAVASTOVIGLIE	MAGNETIC REED WAREWASHER	1
6	904150	MORSETTIERA 6 POLI N600-N700-E45-E50	TERMINAL BOX 6 POLES N600-N700-E45-E50	1
7	903688	LAMP. SPIA Ø 6 VERDE+CAVI	GREEN WARNING LIGHT Ø 6 + CABLES	1
8	903686	LAMP. SPIA Ø 6 ARANCIO+CAVI CICLO_DEP.	ORANGE WARNING LIGHT Ø 6 +CABLES	1
9	903689	LAMP. SPIA Ø 6 ARANCIO+CAVI BOILER	ORANGE WARNING LIGHT Ø 6 +BOILER CABLES	1
10	903211	TARGA E50 ECO METRO PROFESSIONAL	PLATE E50 ECO METRO PROFESSIONAL	1
11	905314	INTERRUTTORE/DEVIATORE 6 FASTON INCLIN.	SWITCH/DIVERTER 6 INCLINED FASTONS	1
12	905312	PULS. 2 FASTON INCLINATO	2-INCLINED-FASTON BUTTON	1
13	905345	SUPP. PULS. TONDO Ø25 NERO	ROUND-BUTTON SUPPORT Ø25 BLACK	1
14	905323	TASTO TONDO Ø25 GRIGIO GOFFRATO	ROUND BUTTEN Ø25 MATT GRAY	1
15	906788	CAVO ALIMENTAZ. 5X2.5X3500 H07	POWER-SOURCE CABLE 5X2.5X3500 H07	1
16	907909	RETROT. E50 ECO 2/3' SENZA ABBASS. COMPL.	BACK PLATE	1
17	905264	PRESSOSTATO 35/17	PRESSURE SWITCH 35/17	1
18	905262	TRAPPOLA ARIA 90MM GRIGIO CHIARO	AIR TRAP 90MM LIGHT GREY	1
19	903260	GUARN. 3/8" TR. ARIA	GASKET 3/8", AIR TRAP	1
20	902111	GHIERA 3/8" PPL	PLASTIC FERRULE 3/8"	1
21	907455	TUBO PRESSOSTATO 5X8 PVC NERO	PRESSURE SWITCH TUBE 5X8 PVC BLACK	1
22	907190	TELERUTTORE 9A 230V CON ATTUATORE LOVATO	CONTACTOR 9A WITH ACTUATOR LOVATO	1
23	902107	FILTRO ANTIDISTURBO TRIFASE	THREE-PHASED ANTINOISE FILTER	1





POS	CODE	DESCRIZIONE	DESCRIPTION	NR
1	902062	DOSATORE BRILL. PERIST. SEKO TEMPORIZZATO	PERISTALTIC RINSE-PRODUCT PUMP WITH REGULATOR	1
2	907456	PESO INOX 190mm TUBETTO BRILLANTANTE/DETERSIVO	STAINLESS STEEL WEIGHT TUBE RINSE AID DETERGENT 190mm	1
3	902046	TUBO CRYSTAL TRASP. 4X6	TRASPARENT HOSE 4X6	2,5 mt
4	907279	TUBO SILICONE 4X7	SILICONE HOSE 4X7	0,5 mt
5	902569	FILTRO DOSATORE	DOSING UNIT FILTER	1
6	906375	SUPP. DOSATORE BRILL. SEKO - GERMAC	SUPPORT FOR RINSE-PRODUCT DOSING UNIT SEKO GERMAC	1



