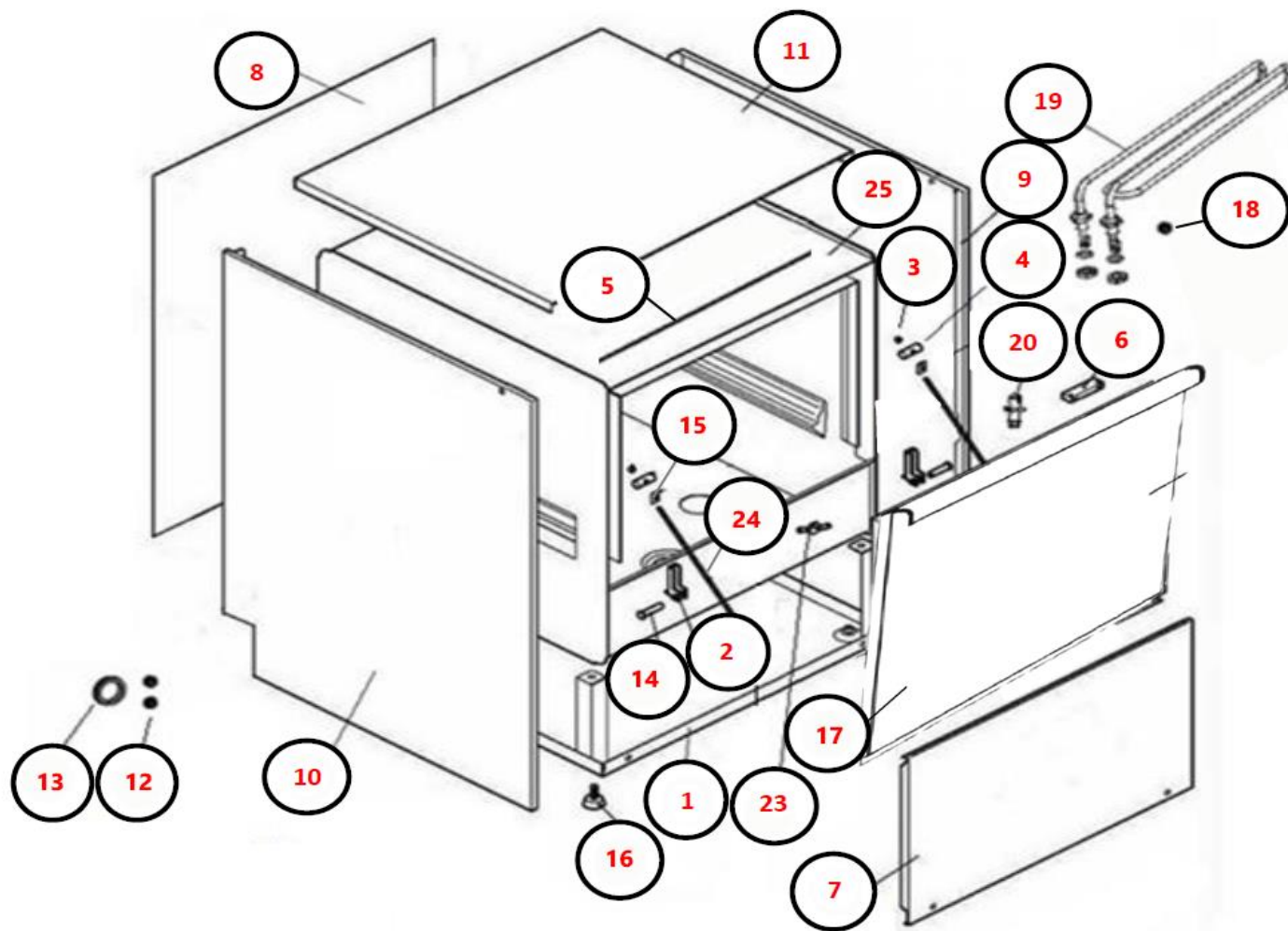


POS	CODE	DESCRIZIONE	DESCRIPTION	QTA
1	P1	PANNELLERIA	FRAME	1
2	P2	RISCIACQUO	RINSE	1
3	P3 (3)	LAVAGGIO	WASH	1
4	P4 (2)	GIRANTI	ARMS	1
5	P5	CABLAGGIO	WIRING	1
6	P6	DOSATORE	CHEMICAL PUMP	1
7	PS	POMPA SCARICO	DRAIN PUMP	1
8	AD	ADDOLCITORE	SOFTENER	1

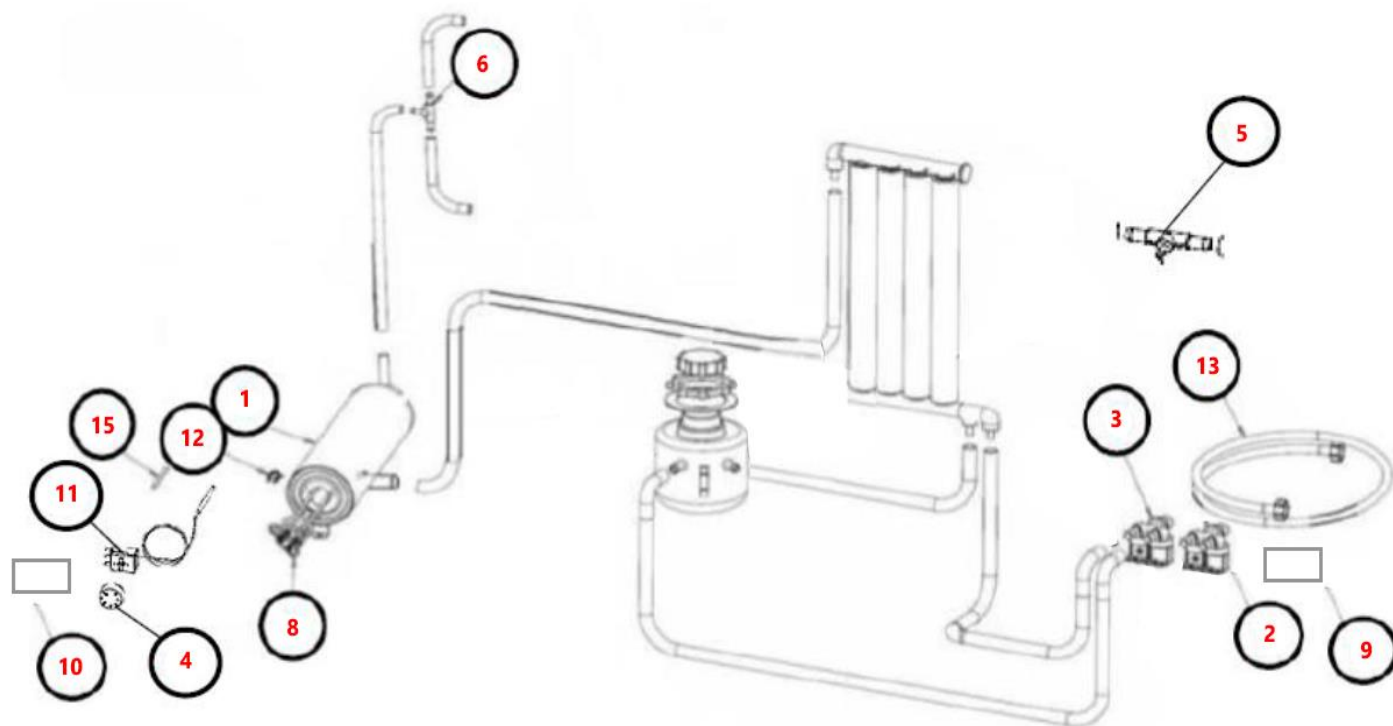


POS	CODE	DESCRIZIONE	DESCRIPTION	NR
1	900095	BASAMENTO N700 UNICO 2015	BASE N700 UNICO 2015	1
2	901245	CERNIERA PORTA SERIE S-N-E	DOOR HINGE S-N-E Series	2
3	902040	DADO ATB 6 - DIN 985	NUT ATB 6 - DIN 985	2
4	905424	FERMO TIRANTE PORTA M6	DOOR TIE ROD STOP M6	2
5	902794	GUARN. PORTA N700-N700FH L=558mm	GASKET DOOR N700-N700FH L=558mm	1
6	903651	MAGNETE + CUSTODIA FRONTALI	MAGNET + COVER WAREWASHER	1
7	902438	PANN. INF. N700 IMPERIAL	PANEL LOWER N700 IMPERIAL	1
8	902166	PANN. POST. N700 IMPERIAL	BACK PANEL N700 IMPERIAL	1
9	907701	PANNELLO LATERALE DX N700 - 2023	PANEL RIGHT SIDE N700 - 2023	1
10	907702	PANNELLO LATERALE SX N700 - 2023	PANEL LEFT SIDE N700 - 2023	1
11	909552	PANNELLO SUPERIORE N700 - 2023	PANEL UPPER N700 - 2023	1
12	904723	PASSACAVO TUBO BRILL./DET.	PIPING HOSE RINSE/DETERGENT	2
13	904721	PASSACAVO TUBO SCARICO LAVAGGIO	PIPING HOSE DRAIN WASHING	1
14	904795	PERNO PORTA	DOOR PIN	2
15	904952	PIASTRINA SCORR. TIRANTE PORTA	SLIDING PLATE FOR DOOR TIGHTENING	2
16	905000	PIEDINO LAVAGGIO PVC NEW	FEET PVC	4
17	905185	PORTA N700-E50 CON M.I.	DOOR N700-E50 WITH INOX HANDLE	1
18	904958	PROT. RESISTENZA VASCA IN SILICONE	PROTECTION TANK HEATER IN SILICONE	2
19	905745	RESIST. VASCA 2.5KW 230V	HEATING ELEMENT TANK 2.5KW 230V	1
20	906121	SCROCCHETTO CON ROTELLA + DADO	LATCH WITH WHEEL + NUT	1
23	907244	TERMOSTATO VASCA 55° PASTIGLIA	THERMOSTAT TANK 55°	1
24	902740	TIRANTE PORTA M6X265	DOOR TIE ROD M6X265	2
25	908545	VASCA N750A	TANK N750A	1



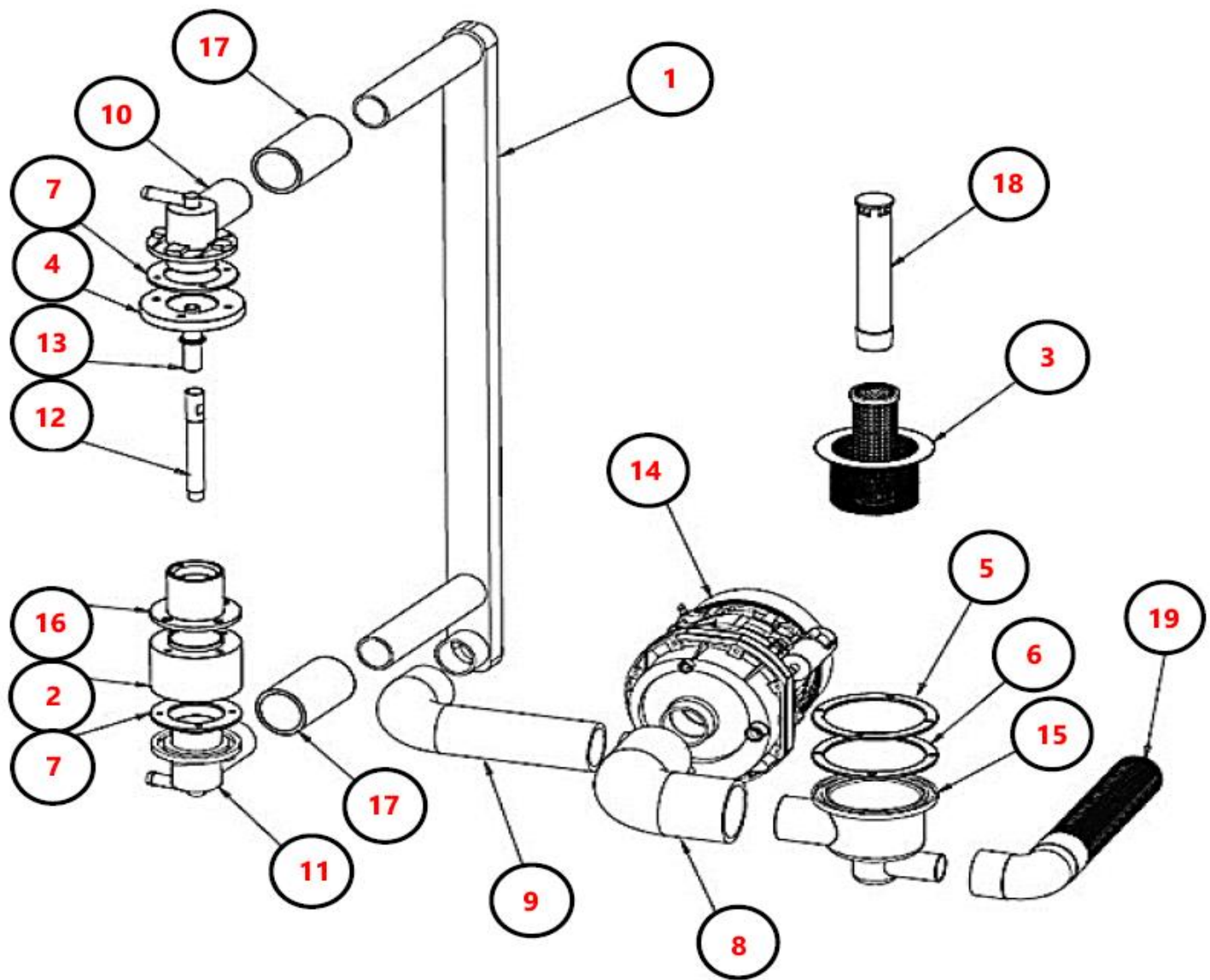
POS	CODE	DESCRIZIONE	DESCRIPTION	NR
1	900361	BOILER 600-700-N45-N50-N90-E45-E50 4LT. + RES 3KW	BOILER 600-700-N45-N50-N90-E45-E50 4LT + ELEMENT 3KW	1
2	907470	ELETTROV. 2 VIE ELBI X RISC. SEQUENZIALE	SOLENOID VALVE 2-WAY ELBI X SEQUENTIAL RINSE	1
3	902401	ELETTROV. 2 VIE Ø10 CON RIDUTTORE ROSSO	SOLENOID VALVE 2-WAYS Ø10 WITH RED REDUCER	1
4	903982	MANOPOLA TERMOSTATO 0/90°	THERMOSTAT KNOB 0/90°	1
5	905434	RACC. 3 VIE DOSATORE SU POMPA	CONNECTION 3-WAY DOSING PUMP	1
6	905382	RACC. 3 VIE RISCIAQUO	CONNECTION 3-WAY RINSE	1
8	905521	RESIST. BOILER 3KW 230V +OR	HEATING ELEMENT BOILER 3KW 230V +OR	1
9	903058	SQUAD. SUPPORTO ELETTROVALVOLA SWITCH	BRACKET SUPPORT SOLENOID VALVE SWITCH	1
10	900187	SQUADRETTA 1 TERMOSTATO PASTIGLIA 2015	BRACKET THERMOSTA 2015	1
11	TR0440	TERMOSTATO BOILER 0/90 LAVASTOVIGLIE	THERMOSTAT BOILER 0/90 DISHWASHER	1
12	907297	TERMOSTATO SICUR. 110° PASTIGLIA	THERMOSTAT SAFETY	1
13	907348	TUBO CARICO 90° 1500MM S 800 HW	HOSE LOAD 90° 1500MM S 800 HW	1
15	904075	LAMELLA OTTONE	BRASS PLATE	1



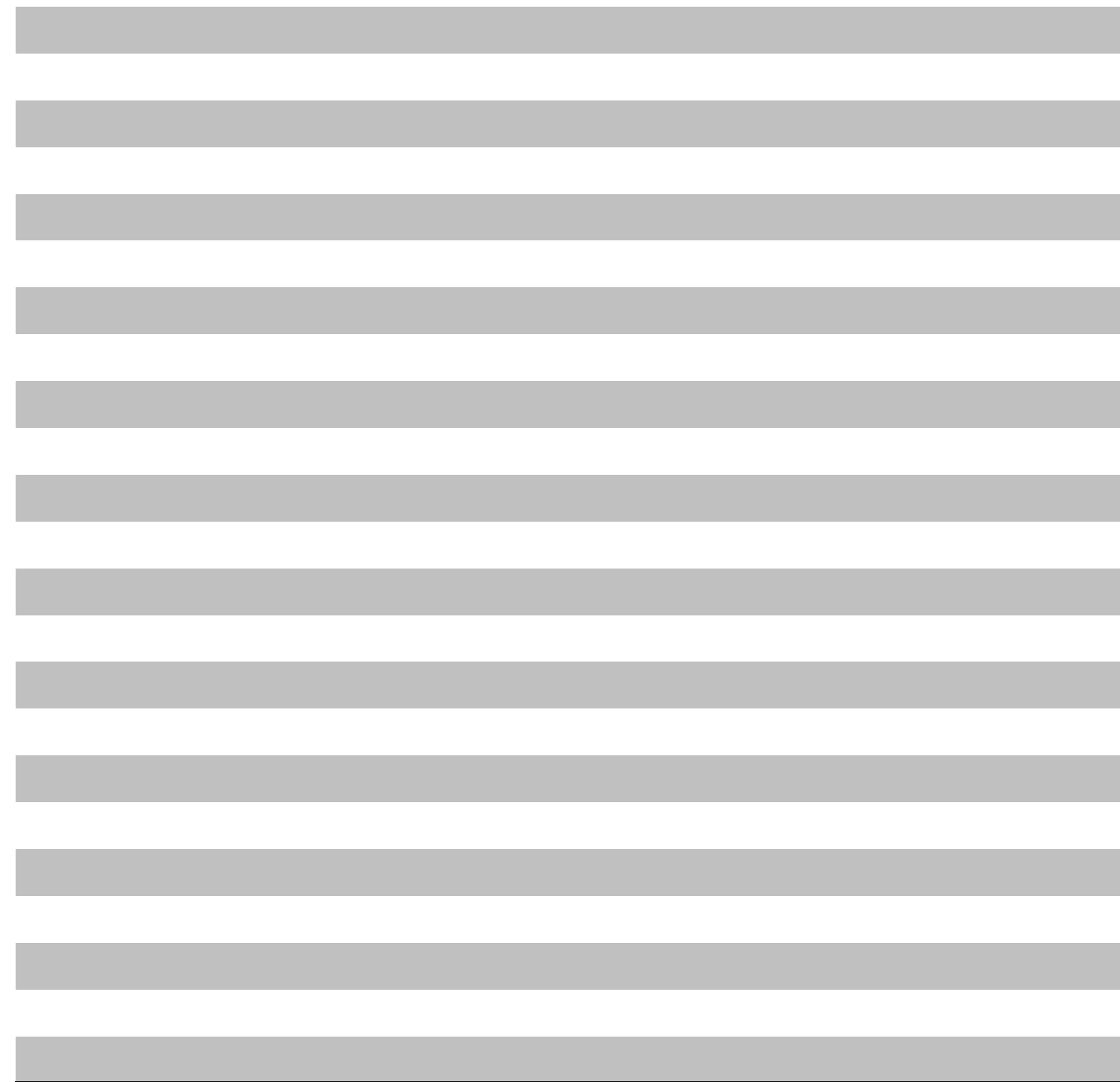


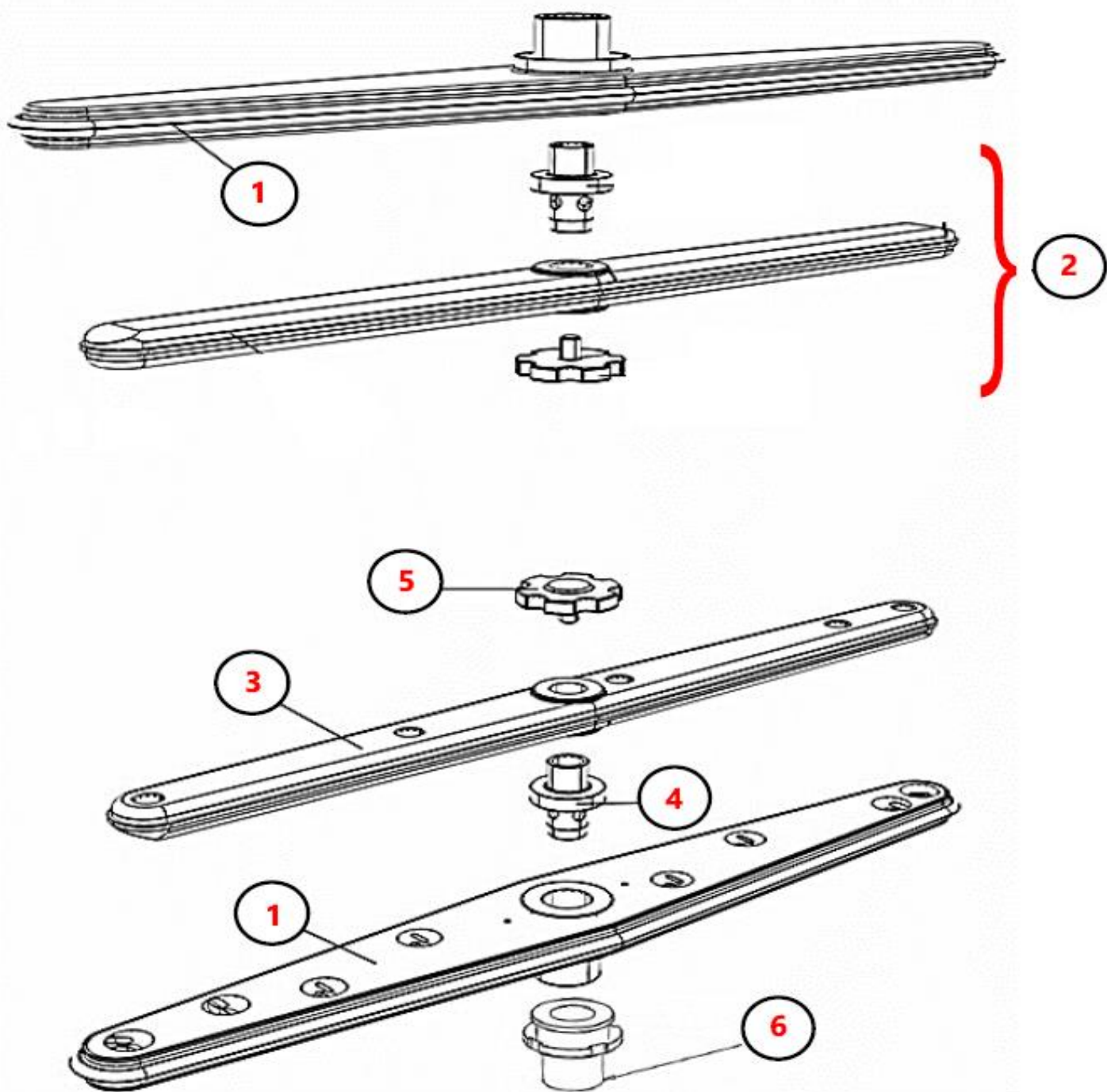
POS	CODE	DESCRIZIONE	DESCRIPTION	NR
1	908701	COLONNA LAVAGGIO N700/E50	WASHING COLUMN N700/E50	1
2	908702	DISTANZIALE RACC. LAV. N700/N750	SPACER WASHING CONNECTION N700/N750	1
3	902399	FILTRO CON CILINDRO PPL H140MM Ø98MM	FILTER CYLINDER PPL H140MM Ø98MM	1
4	908154	FLANGIA NORYL MOZZO SUP. LAVAPIATTI	FLANGE NORYL UPPER HUB DISHWASHER	1
5	905238	FLANGIA POZZETTO MAGGIORATO ASP./SCAR.	FLANGE SUMP SUCTION/DRAIN OVERSIZED	1
6	905378	GUARN. POZZETTO MAGGIORATO	GASKET SUMP OVERSIZED	1
7	908141	GUARN. RACC. LAV. N45/N50/N700/N1000	GASKET WASHING CONNECTION N45/N50/N700/N1000	2
8	903758	MANICOTTO ASP. N700	SLEEVE ASPIRATION N700	1
9	909371	MANICOTTO MANDATA N750/E50/E45	SLEEVE INLET N750/E50/E45	1
10	905456	MOZZO LAV. DX	HUB WASHING RIGHT	1
11	905449	MOZZO LAV. SX	HUB WASHING LEFT	1
12	908705	PERNO LAV. INF. N600/N700/E45/E50	WASH PIN LOWER N600/N700/E45/E50	1
13	904799	PERNO LAV. SUP. N600/N700/N45/N50	WASH PIN UPPER N600/N700/E45/E50	1
14	902263	POMPA 0.40KW 230/1/50 N700-N750-E45-E50	PUMP 0.40KW 230/1/50 N700-N750-E45-E50	1
15	905236	POZZ. ASPIRAZ. MAGGIORATO ASP. Ø45	SUMP SUCTION Ø45 OVERSIZED	1
16	905388	RACC. INF. LAV. E45/E50/N45/N50/N700/N1000	CONNECTION LOWER E45/E50/N45/N50/N700/N1000	1
17	903756	TRONCHETTO MAND. N45/N50/N90/N700FH	SOCKET INLET N45/N50/N90/N700FH	2
18	900129	TROPPO PIENO N650-N750-E45-E50 PS 2015	OVERFLOW CAP N650-N750-E45-E50 PS 2015	1
19	907439	TUBO SCARICO Ø19 90° 2000MM PS + CURVA	HOSE DRAIN Ø19 90° 2000MM PS + CURVE	1



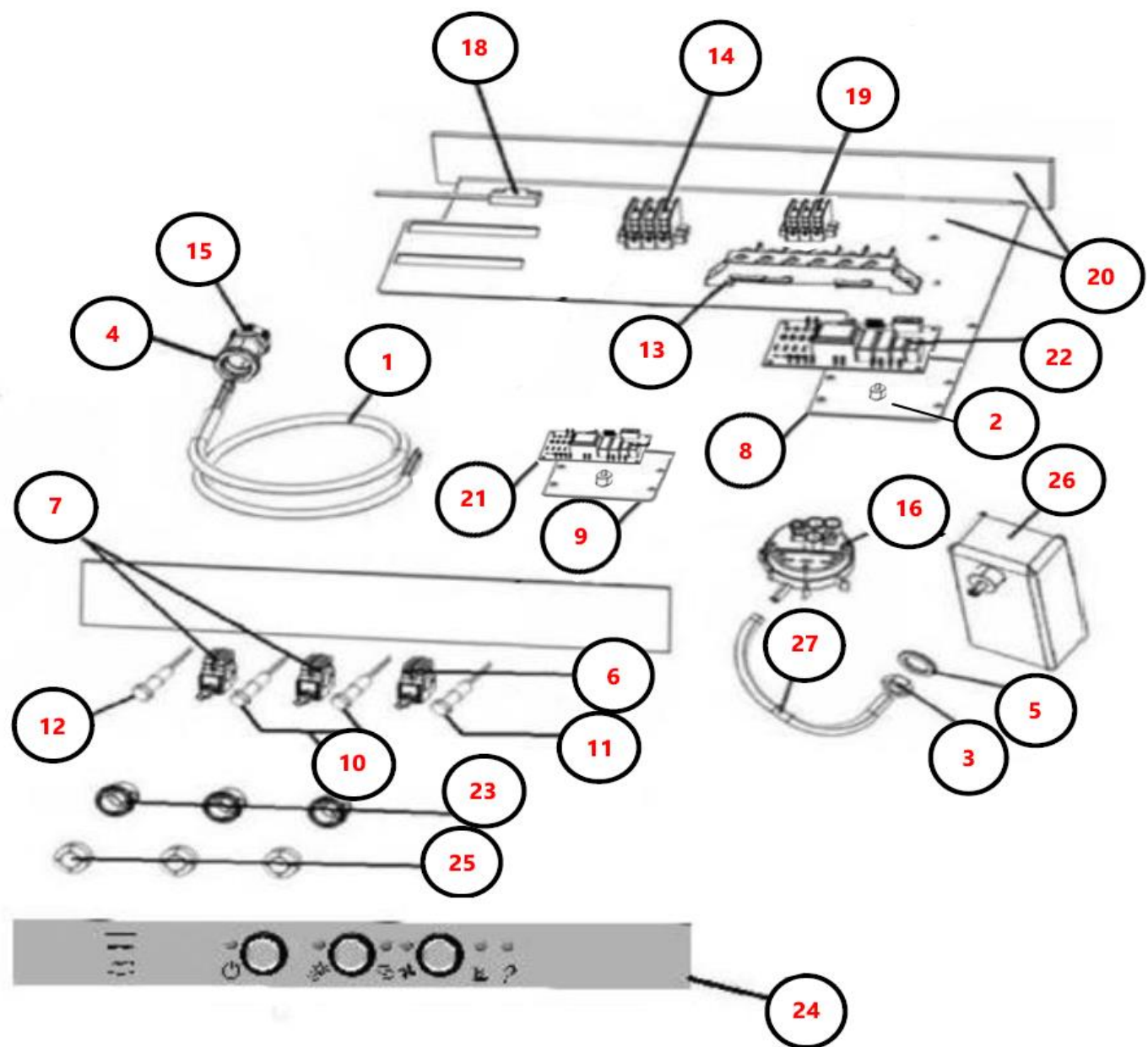


POS	CODE	DESCRIZIONE	DESCRIPTION	NR
1	903107	GIRANTE LAV.4 CON MOZZO	WASH ARM 4 WITH HUB	2
2	907958. 204	GRUPPO GIRANTE RISC. 4 PPL	GROUP RINSE ARM 4 PPL	2
3	907958	GIRANTE RISCIAQUO 4 PPL	PP RINSE ARM 4	2
4	908771	PERNO GIRANTE RISC. PIATTA PPL E INOX	PIVOT FLAT RINSE ARM (POLYPROPYLENE AND STAINLESS STEEL)	2
5	902880	GHIERA FERMO GIRANTI	STOP FERRULE, ARMS	2
6	904277	MOZZO CON GHIERA GIRANTE LAV.	HUB WITH FERRULE, WASH ARM	2



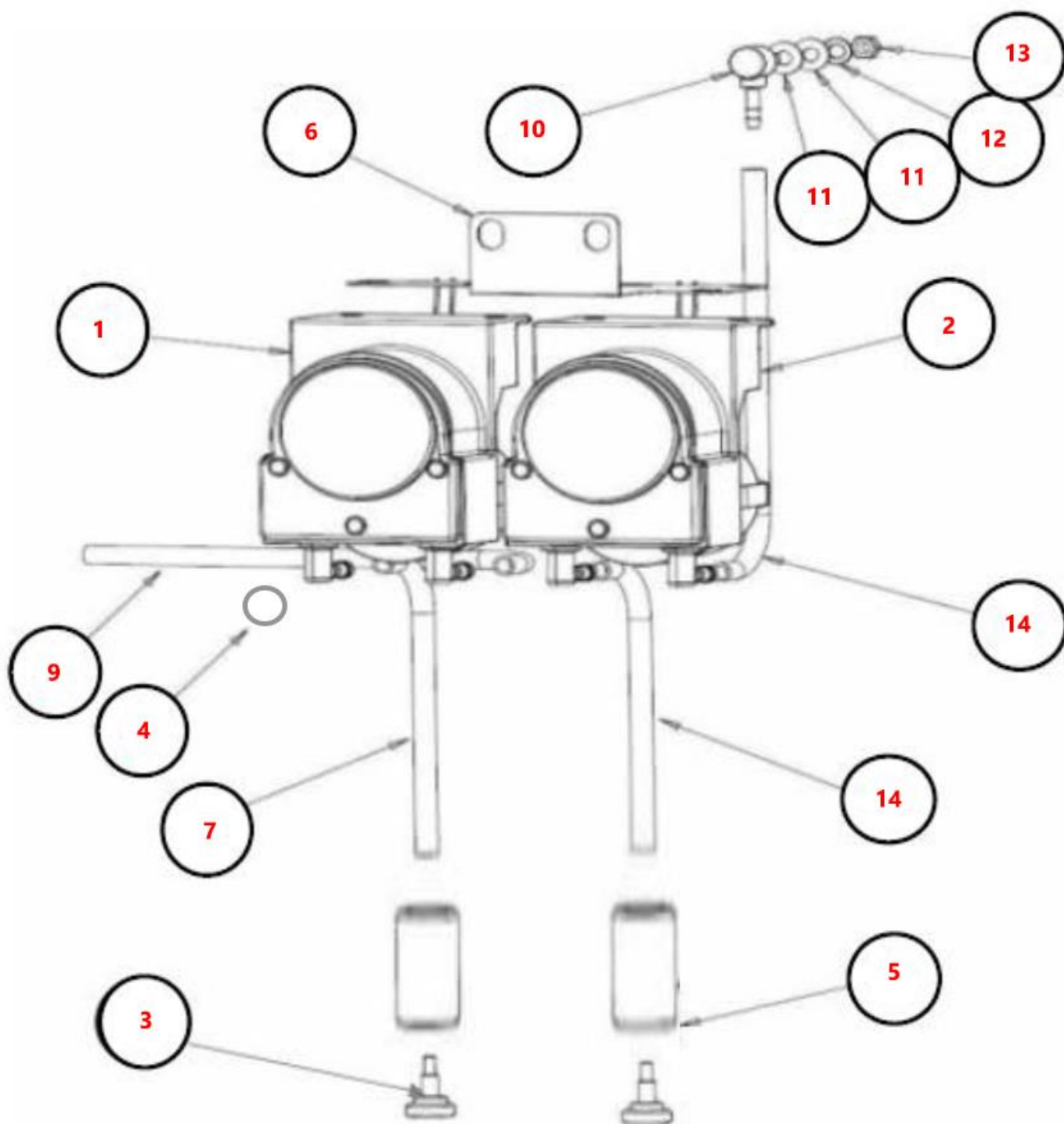


POS	CODE	DESCRIZIONE	DESCRIPTION	NR
1	908130	CAVO ALIMENTAZ. 3x2,5x3000 SPINA SCHUKO	ELECTRICAL CABLE 3x2,5x3000 SCHUKO PLUG	1
2	902193	DISTANZIALE TIMER ELETTRONICO	SPACER TRONIC TIMER	8
3	902111	GHIERA 3/8" PPL	RING NUT F3/8" PPL	1
4	902677	GHIERA PRESSACAVO PG16	RING NUT GLAND CABLE PG16	1
5	903260	GUARN. 3/8" TR. ARIA	GASKET 3/8" AIR TRAP	1
6	905447	INTERRUTTORE/DEVIATORE 4 FASTON INCLIN.	SWITCH/DEVIATOR 4 FASTON INCLINED	1
7	905314	INTERRUTTORE/DEVIATORE 6 FASTON INCLIN.	SWITCH/DEVIATOR 6 FASTON INCLINED	1
8	903623	ISOLATORE SCHEDE 133X90	ISOLATOR TRONIC BOARD 133X90	1
9	903627	ISOLATORE SCHEDE RISCIAQUO SEQUENZIALE	ISOLATOR SEQUENTIAL RINSE TRONIC BOARD	1
10	903687	LAMP. SPIA Ø 6 ARANCIO+CAVI	SPY LAMP Ø 6 ORANGE + CABLES	2
11	903686	LAMP. SPIA Ø 6 ARANCIO+CAVI CICLO_DEP.	SPY LAMP Ø 6 ORANGE + CABLES RESINE CYCLE	2
12	903648	LAMP. SPIA Ø 6 VERDE+CAVI F/F	SPY LAMP Ø 6 GREEN + CABLES	1
13	904150	MORSETTIERA 6 POLI N600-N700-E45-E50	TERMINAL BOX 6 POLES N600-N700-E45-E50	1
14	904203	MORSETTO PENTAPOLARE CON SPALLA	CLAMP PENTAPOLAR WITH SHOULDER	1
15	902683	PRESSACAVO PG16	GLAND CABLE PG16	1
16	905264	PRESSOSTATO 35/17	PRESSURE SWITCH 35/17	1
17	905446	PULS. 4 FASTON INCLINATO	BUTTON 4 FASTON INCLINED	1
18	909290	REED MAGNETICO LAVASTOVIGLIE	MAGNETIC REED WAREWASHER	1
19	905478	RELE MICRO PORTA TIMER MECCANICO 2014	RELAY MICRO DOOR MECHANICAL TIMER 2014	1
20	902436	RETROTARGA CON PIASTRA N700 MECCANICA IMPERIAL TASTI CENTRALI	BACKPLATE INOX N700 IMPERIAL CENTRE KEYS	1
21	907460	SCHEDA RISCIAQUO SEQUENZIALE	ELECTRONIC BOARD SEQUENTIAL RINSE	1
22	907169/ ELCA	SCHEDA TRONIC CLONE ELCA	ELECTRONIC BOARD ELCA	1
23	905345	SUPP. PULS. TONDO Ø25 NERO	SUPPORT ROUND BUTTON Ø25 BLACK	3
24	902408	TARGA N700A METRO PROFESSIONAL	PLATE ADHESIVE N700A METRO PROFESSIONAL	1
25	905437	TASTO TONDO Ø25 ARGENTO OPACO	BUTTON ROUND Ø25 MATT SILVER	3
26	905262	TRAPPOLA ARIA 90MM GRIGIO CHIARO	AIR TRAP 90MM GREY	1
27	907455	TUBO PRESSOSTATO 5X8 PVC NERO	HOSE PRESSURE SWITCH 5X8 PVC NERO	1



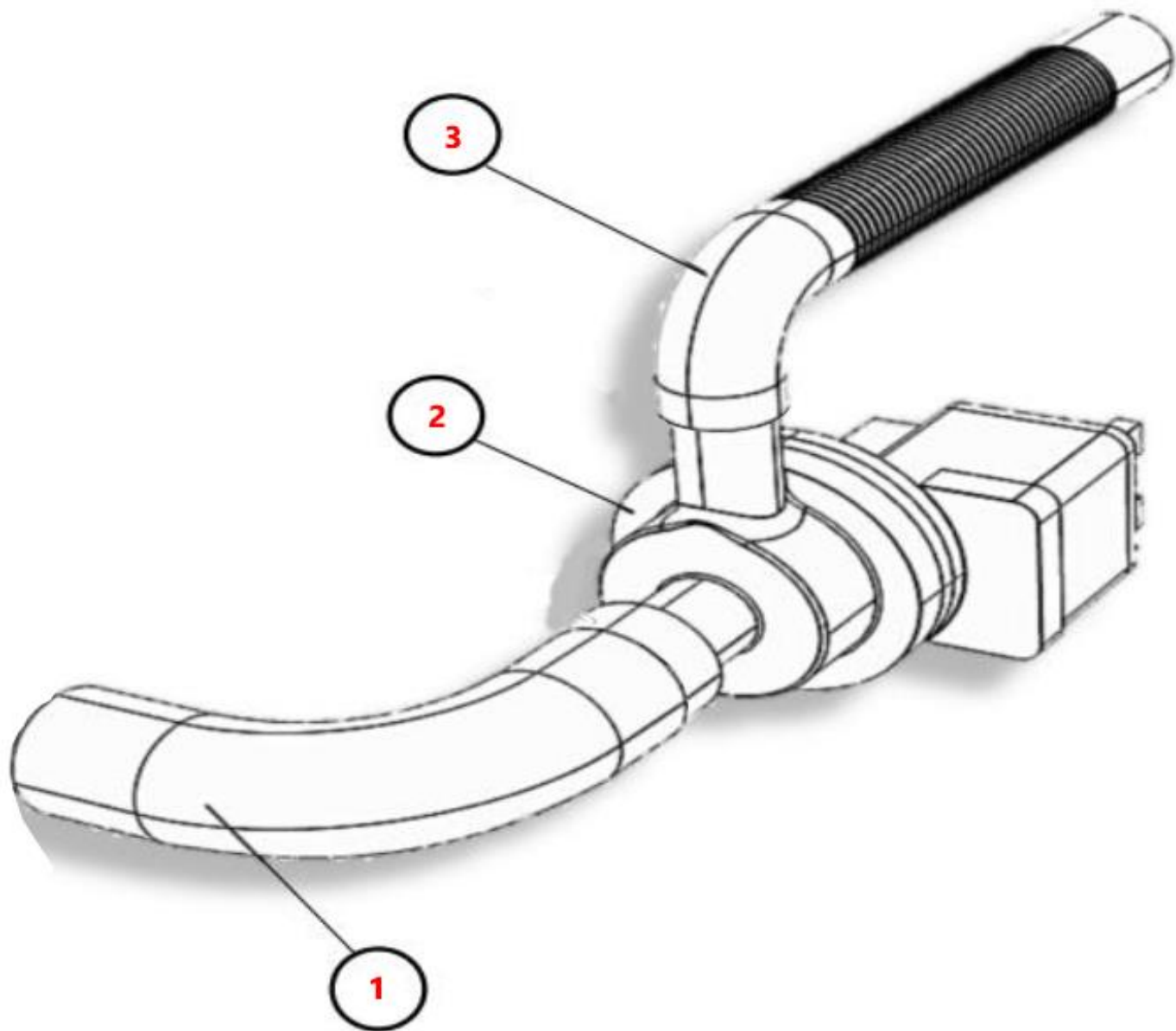
POS	CODE	DESCRIZIONE	DESCRIPTION	NR
1	902062	DOSATORE BRILL. PERIST. SEKO TEMPORIZZATO	DOSER - PERISTALTIC RINSE AID	1
2	902052	DOSATORE DETERS. PERIST. SEKO	DOSER - PERISTALTIC DETERGENT	1
3	902569	FILTRO DOSATORE	DOSER FILTER	2
4	903253	GUARN. RACC. DOS/SFIATO PS	GASKET DOSING CONNECTOR/DRAIN PUMP BLOWING	2
5	907456	PESO INOX 190 mm TUBETTO BRILLANTANTE/DETERSIVO	WEIGHT INOX 190 mm RINSE/DETERGENT HOSE	2
6	952820	SUPP. DOS. PERISTALTICO DOPPIO	SUPPORT INOX DOUBLE PERISTALTIC DOSER	1
7	902046	TUBO CRYSTAL TRASP. 4X6	HOSE CRYSTAL TRANSPARENT 4X6	1
9	907279	TUBO SILICONE 4X7	HOSE SILICONE 4X7	1
10	906708	RACC. INOX ENTR. DETERSIVO VASCA ANT.	STAINLESS-STEEL FRONT INLET CONNECTION FOR DETERGENT IN TANK	1
11	903412	GUARN. FIBRA FORO POMPA DETERSIVO	FIBRE GASKET HOLE DETERGENT PUMP	2
12	906055	RONDELLA Ø10 P.	WASHER Ø10 P.	1
13	902022	DADO Ø 10 T	NUT Ø 10	1
14	907278	TUBO CRYSTAL ROSSO 4X6	TRASPARENT-RED HOSE 4X6	1





POS	CODE	DESCRIZIONE	DESCRIPTION	NR
1	903672	MANICOTTO POMPA SCARICO E45-E50-N650-N750	SLEEVE DRAIN PUMP E45-E50-N650-N750	1
2	902332	POMPA SCARICO MAGNETICA 220/240V 50HZ 40W	DRAIN PUMP MAGNETIC 220/240V 50HZ 40W	1
3	907439	TUBO SCARICO Ø19 90° 2000MM PS + CURVA	HOSE DRAIN Ø19 90° 2000MM PS + CURVE	1





POS	CODE	DESCRIZIONE	DESCRIPTION	NR
1	901770	CONTENITORE SALE "SENZA" SENSORE	SALT CONTAINER 'WITHOUT' SENSOR	1
2	902150	DECALCIFICATORE 4 COLONNE	SOFTENER 4 COLUMN	1
3	902401	ELETTROV. 2 VIE Ø10 CON RIDUTTORE ROSSO	SOLENOID VALVE 2-WAYS Ø10 WITH RED REDUCER	1
4	902830	GHIERA CONTENITORE SALE	RING NUT SALT CONTAINER	1
5	903340	GUARN. CONTENITORE SALE	GASKET SALT CONTAINER	1
6	906418	TAPPO CONTENITORE SALE	CAP SALT CONTAINER	1



