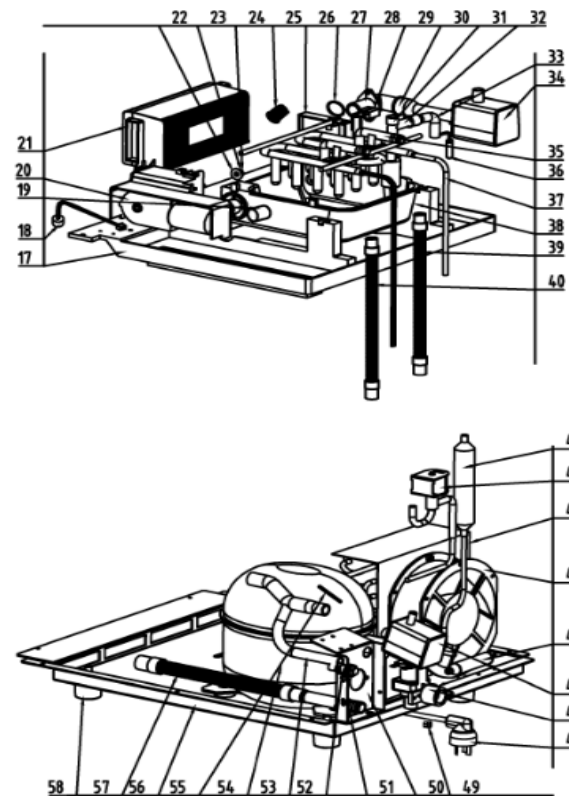
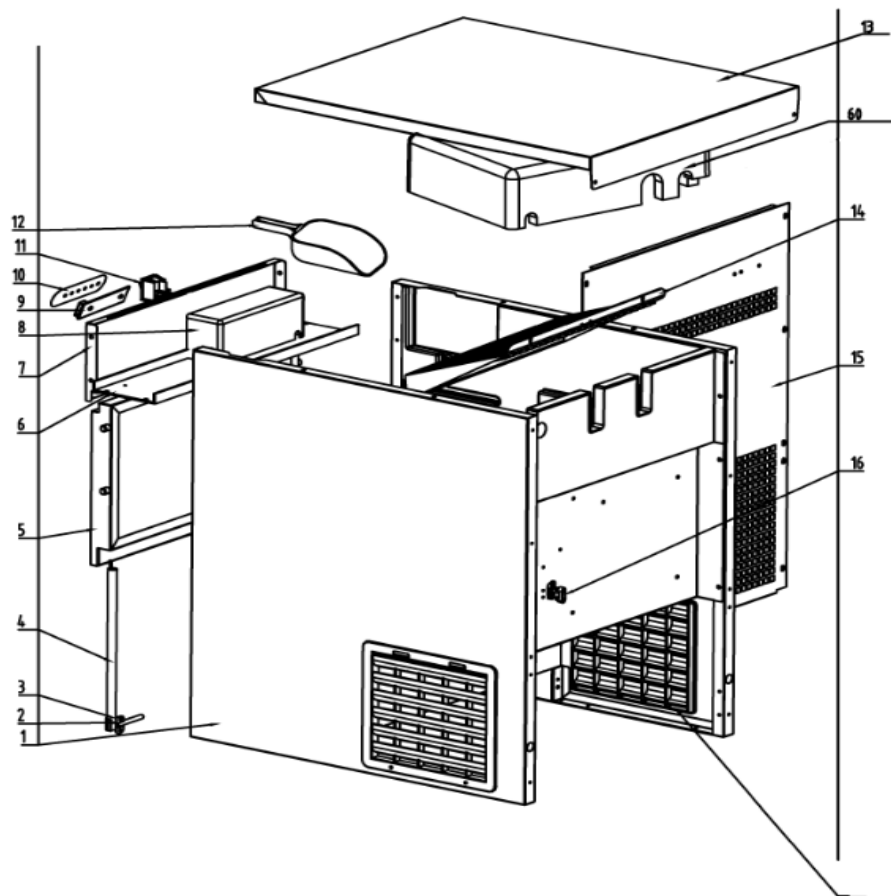


220311 GIM1026B exploded and parts list

Version no.: 1
 Documents Valid from - to: GIM1026BXII0001V1

Example	Explanation Lot-no.: "Model-no." + "Capital letter for the year" + "Romanian numbers for the month" GSK1009 RIII --> Production date March 2016 GSK1009 TX --> Production date October 2018											
Year	Q	R	S	T	U	V	W	X	Y	Z		
	2015	2016	2017	2018	2019	2020	2021	2022	2023	2024		
Month	Jan	Feb	Mar	Apr	May	Jun	Jul	Aug	Sep	Oct	Nov	Dec
	I	II	III	IV	V	VI	VII	VIII	IX	X	XI	XII



NO.	Supplier code	Description	QTY
1	/	Foamed cabinet	1
2	05200000046	Ice sensor	1
3	11020000023	Ice sensor fixer	1
4	11040000122	wire protetor	1
5	02010000933	Door kit	1
6	11100000159	Upper Edge Panel	1
7	13030700520	Upper Panel	1
8	11110000156	Operation Panel Cover	1
9	04040230005	Indicator Panel	1
10	10020300194	operation panel sticker	1
11	02050001383	On-off Switch	1
12	11110000102	Ice Scoop	1
13	13030100145	Top Board	1
14	11100000196	Ice Flopping shelf (plastic)	1
15	13030200539	back panel	1
16	11090000057	Supply Power Cord fixer	1
16	11100000063	Supply Power Cord fixer	1
17	11100000151	Upper Fixing Board	1
18	05200000039	Amebient temp sensor	1
19	07060000038	axis cover	1
20	02050000269	DC motor kit	1
21	04040310139	Controller kit	1
22	06090200004	Spring washer	1
23	06020200008	Stop Screw	1
24	06080200008	Washer	1
25	15050000011	filter	1
26	11090000097	Evaporator Fixer big	1
27	11090000399	Seal washer for rinsing connector	3
28	11060500048	Rinsing connector	1
29	05200000162	Water level sensor	1
30	11060500086	inlet tube	1
31	11100001044	water shower cover	1
32	11060500047	Water Shower	1
33	11060500087	outlet tube	1
34	04010300012	water pump	1
35	11060500045	Elbow of water inlet	2
36	05200000043	Water temperature sensor	1
37	14020000355	Evaporator	1
38	11110000037	Water box	1
39	11060100041	Water Filling Tube	1
40	11060100113	recyle supply tube	1
41	02060000031	Assembly Suction Pipe	1
42	04090000013	Rinsing Magnet Valve	1
43	14010000135	Condenser	1
44	04010100063	Fan	1
45	14030300021	filter	1

NO.	Supplier code	Description	QTY
46	04010300002	Rinsing pump	1
47	04090000058	Water inlet valve	1
48	04020200023	Power cord	1
49	07030000046	power cord cover	1
50	13030502854	Valve fixer	1
51	11060500050	water drainage T type connector	1
52	02050000809	drainage kit	1
53	11060500049	recycle T tube	1
54	04070200007	Compressor	1
55	14030200046	process tube	1
56	13030500246	Compressor bottom panel	1
57	11060100078	Ice water drainage pipe	1
58	07040000012	Feet	4
59	11100000135	Ventilation grid	2
60	08040000026	Evaporator cover	1