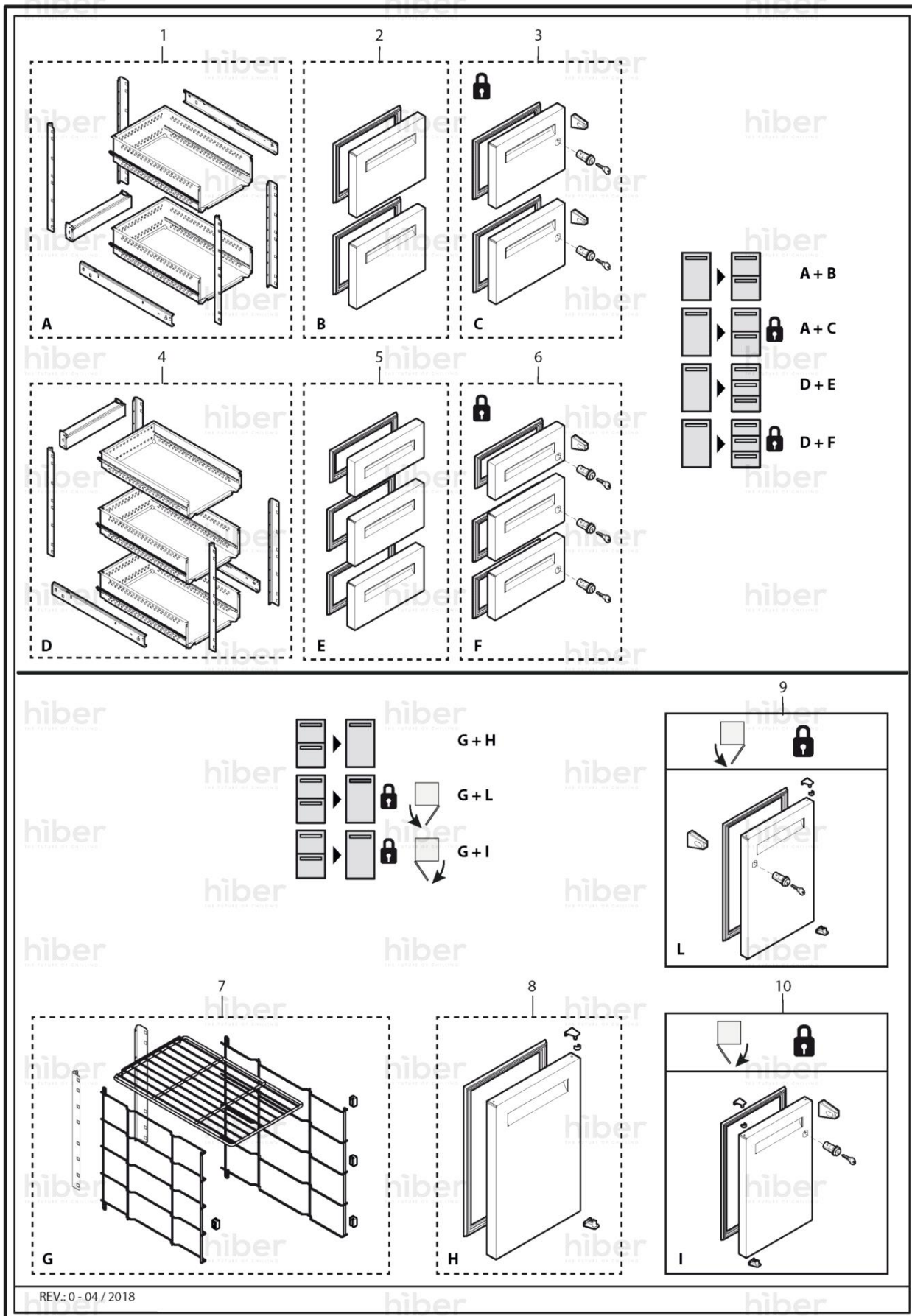
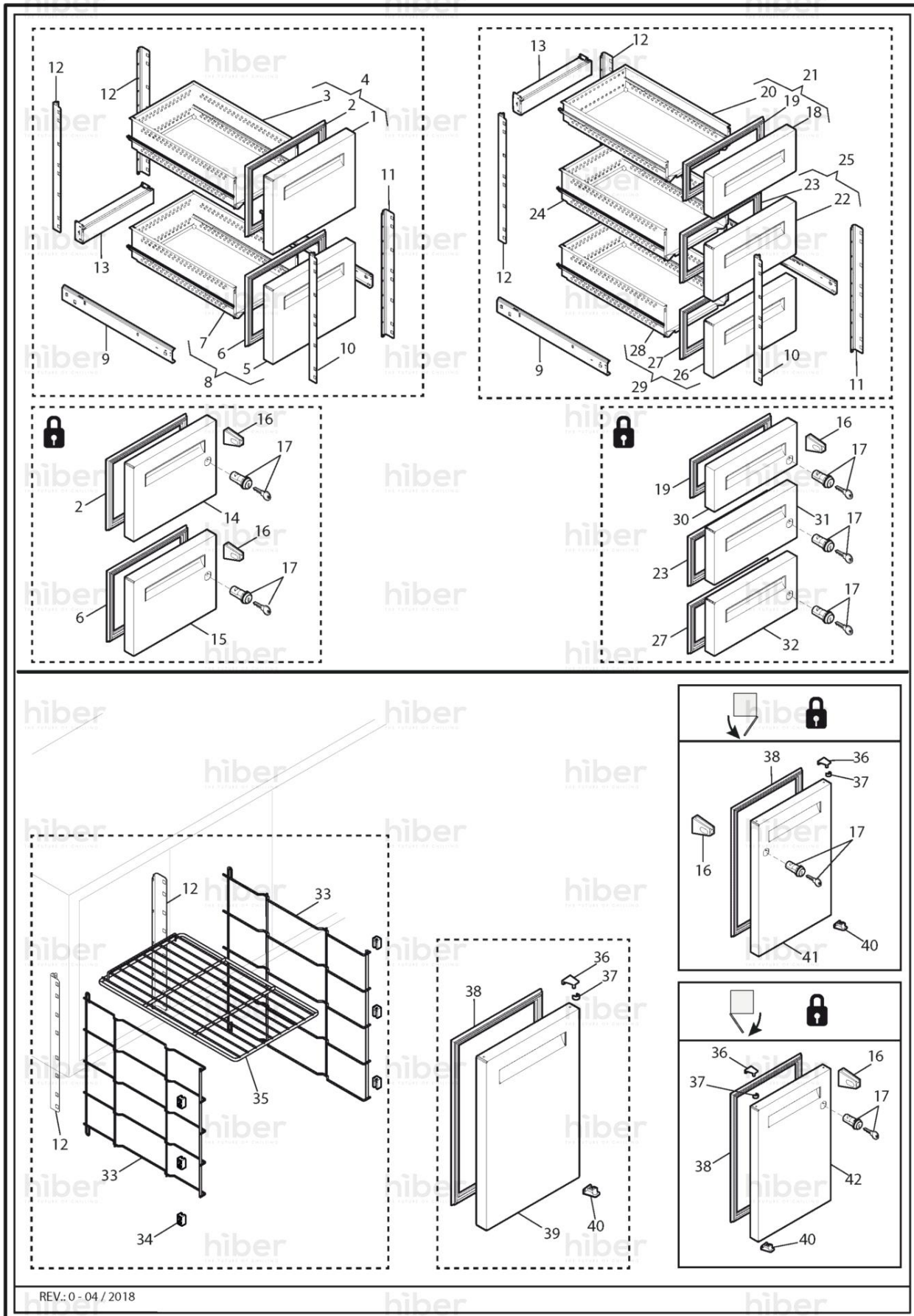


REV.: 0 - 01 / 2018

| Pos | Réf. | Description | Notes | Valable à p | Valable jus |
|------|--------------|--|-------|-------------|-------------|
| 0001 | BN14402200 | GRIGLIA POSTER. VANO MOTORE TAVOM-EN'21 | | | |
| 0002 | BN16660351 | RESISTANCE [R] 45W 3V CADRE DE LA PORTE | | | |
| 0003 | BN1467520 | ENSEMBLE PIED [R] ARMOIRES 2 H. 105/170 | | | |
| 0004 | BN147824 | CASTOR 125 W/BRAKE FOR GRID | | | |
| 0005 | BN147823 | WHEEL 125 W/O BRAKE [C] | | | |
| 0006 | BN1471631347 | PROFILO COP.CORNICE ORIZ.TAV OMNIA 03 | | | |
| 0007 | BN1471640616 | @PROFILO COP.CORNICE VERT.TAVOMNIAH65-66 | | | |
| 0008 | BN1471130550 | PROF. CORNICE MONT TAVOLI VCR L= 550 '16 | | | |

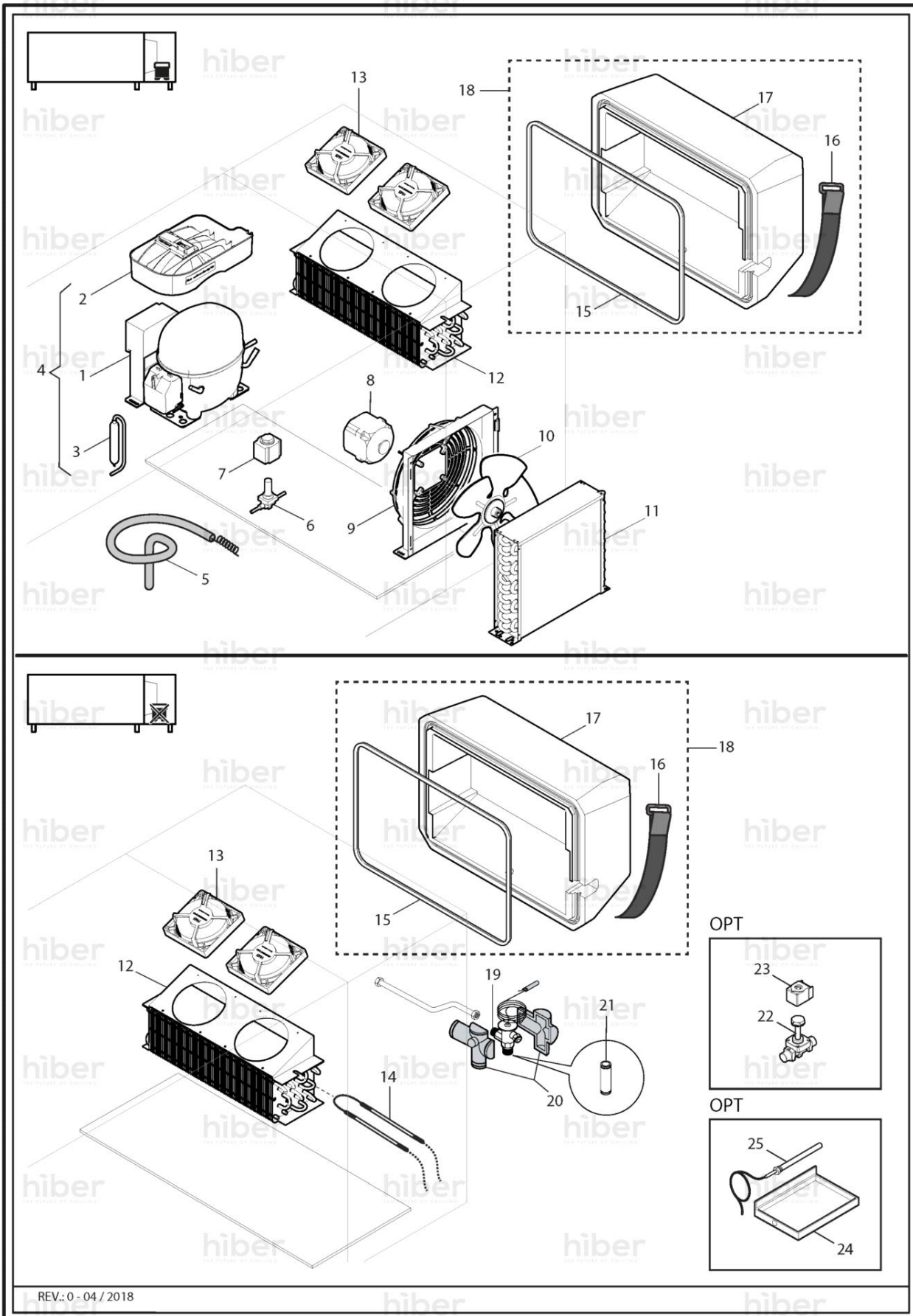


| Pos | Réf. | Description | Notes | Valable à p | Valable jus |
|------|-----------|---------------------------------------|-------|-------------|-------------|
| 0001 | BN2194040 | KIT CORPO CASS.RA 1/2 660 PAN. | | | |
| 0002 | BN2194350 | TIROIR FRONTAL 1/2 660 | | | |
| 0003 | BN2194360 | TIROIR FRONTAL 1/2 660 AVEC CLE | | | |
| 0004 | BN2194070 | KIT CORPO CASS.RA 1/3 660 PAN. | | | |
| 0005 | BN2194340 | KIT FRONT. CASS.RA 1/3 660 RON. S/SER | | | |
| 0006 | BN2194370 | KIT FRONT. CASS.RA 1/3 660 RON. C/SER | | | |
| 0007 | BN2194100 | KIT ALL.VANO TAV. 660 | | | |
| 0008 | BN2194380 | KIT ASS.PORTA 660 RON S/SER | | | |
| 0009 | BN2194390 | PORTE DROITE 660 AVEC SERRURE | | | |
| 0010 | BN2194400 | PORTE GAUCHE 660 AVEC SERRURE | | | |

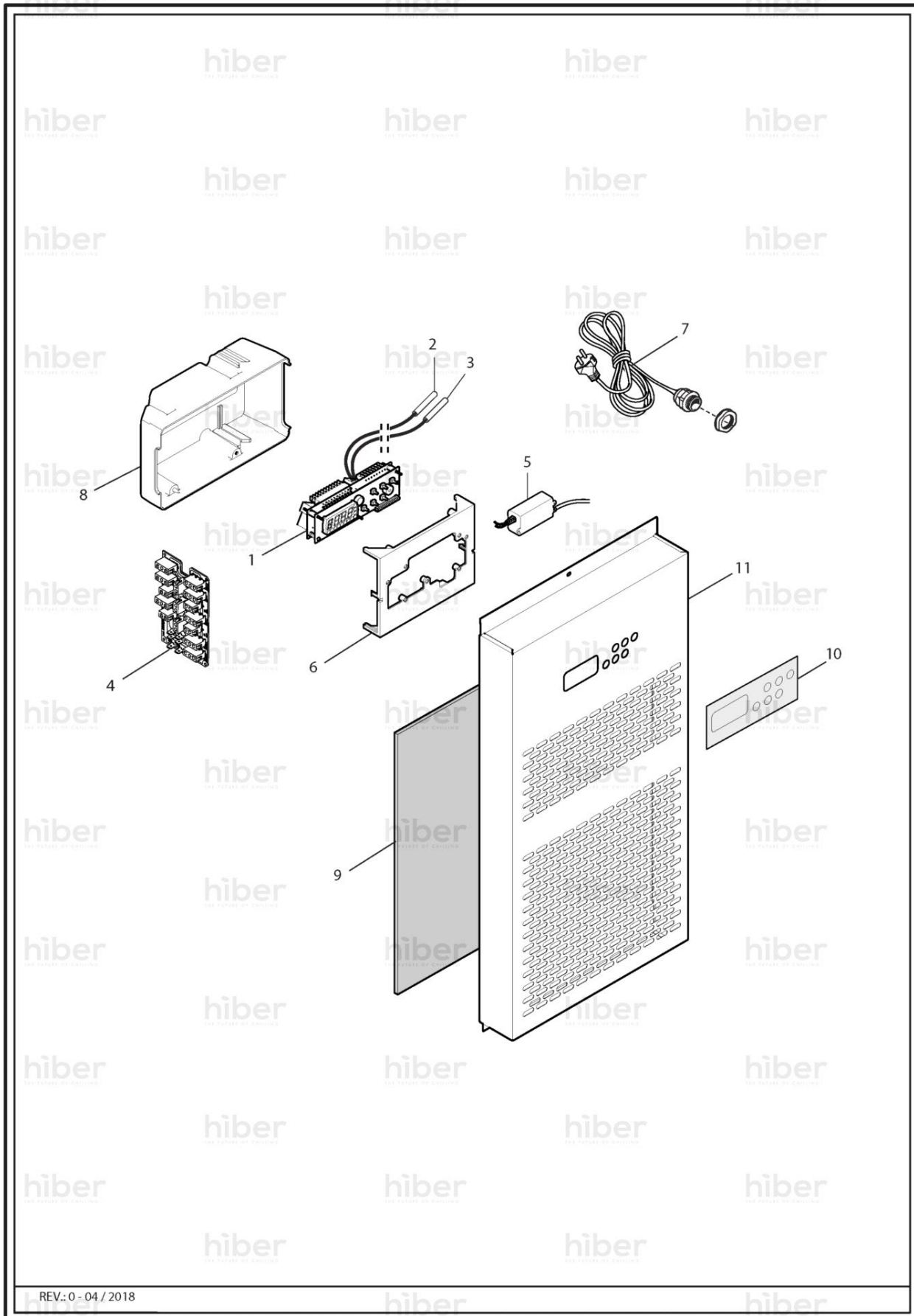


| Pos | Réf. | Description | Notes | Valable à p | Valable jus |
|------|---------------|--|-------|-------------|-------------|
| 0001 | BN32246500 | TIROIR FRONTALE 1/2 [R] W/O LOCK H65-6 RON TAV OM'16 | | | |
| 0002 | BN1441264383 | JOINT [R] 264X33 TIROIR 1/2 OMNIA H65-66 | | | |
| 0003 | BN32534150 | ASS.INVOLUCRO CASS. H=150TAV OM R1269612 | | | |
| 0004 | BN2194300 | TIROIR 1/2 660 SANS SERRURE | | | |
| 0005 | BN32246500 | TIROIR FRONTALE 1/2 [R] W/O LOCK H65-6 RON TAV OM'16 | | | |
| 0006 | BN1441264383 | JOINT [R] 264X33 TIROIR 1/2 OMNIA H65-66 | | | |
| 0007 | BN32534150 | ASS.INVOLUCRO CASS. H=150TAV OM R1269612 | | | |
| 0008 | BN2194300 | TIROIR 1/2 660 SANS SERRURE | | | |
| 0009 | BN1449560 | KIT COPPIA GUIDE TEL.L550 OMNIA XRICAMBI | | | |
| 0010 | BN33587110 | UPRIGHTS FRONT LH UPPER GUIDE [R] OMNIA TABLE H65-66 | | | |
| 0011 | BN33587100 | UPRIGHTS FRONT RH UPPER GUIDE [R] OMNIA TABLE H65-66 | | | |
| 0012 | BN33587120 | SUPPORT POSTERIEURE POUR GLISSIERE [R] OMNIA TABLE H65-66 | | | |
| 0013 | BN32924300 | TRAVERSE [C] | | | |
| 0014 | BN32246500SER | BOM.CASS.1/2 C/S H65-6 RON TAV OM'16 | | | |
| 0015 | BN32246500SER | BOM.CASS.1/2 C/S H65-6 RON TAV OM'16 | | | |
| 0016 | BN1483180 | GACHE SERRURE PORTE+TIROIR TABLE OMNIA | | | |
| 0017 | BN1483300 | SERRURE [R] | | | |
| 0018 | BN32246510 | BOM.CASS.1/3 SUP S/SER R TAV OM'16 GLK1A | | | |
| 0019 | BN1441144383 | JOINT [R] 144X 383 TIROIR 1/3 SUP OMNIA | | | |
| 0020 | BN32534100 | ASS.INVOLUCRO CASS. H=100TAV OM R1269611 | | | |
| 0021 | BN2194310 | KIT ASS. CASS. SUP 1/3 660/710 RON.S/SER | | | |
| 0022 | BN32246510 | BOM.CASS.1/3 SUP S/SER R TAV OM'16 GLK1A | | | |
| 0023 | BN1441144383 | JOINT [R] 144X 383 TIROIR 1/3 SUP OMNIA | | | |
| 0024 | BN32534100 | ASS.INVOLUCRO CASS. H=100TAV OM R1269611 | | | |
| 0025 | BN2194320 | KIT ASS. CASS. CEN 1/3 660 RON. S/SER | | | |
| 0026 | BN32246520 | BOM.CASS.1/3 INF S/SER R TAV OM'16 GLK2A | | | |
| 0027 | BN1441194383 | JOINT [R] 194X 383 | | | |
| 0028 | BN32534150 | ASS.INVOLUCRO CASS. H=150TAV OM R1269612 | | | |
| 0029 | BN2194330 | KIT ASS. CASS. INF 1/3 660/710 RON.S/SER | | | |
| 0030 | BN32246510SER | BOM.CASS.1/3 SUP C/SER RON TAV OM'16 | | | |
| 0031 | BN32246510SER | BOM.CASS.1/3 SUP C/SER RON TAV OM'16 | | | |
| 0032 | BN32246520SER | BOM.CASS.1/3 INF C/SER RON TAV OM'16 | | | |
| 0033 | BN1440500 | SUPPORT [R] TABLE OMNIA | | | |
| 0034 | BN14230010 | SUPPORT [R] CHÃ,SSIS TR/TP/TAV | | | |
| 0035 | FR6351760 | GRILLE ETAGERE [R] EN PLASTIQUE GN 1/1 530X325 | | | |
| 0036 | BN1414400 | SUPPORT [R] SUPERIEUR | | | |
| 0037 | BN14230050 | ENTRETOISE [C] CHARNIERE PORTE | | | |
| 0038 | BN1441573383 | JOINT [R] PORTE 573X 383 | | | |
| 0039 | BN32636500 | DOOR FRONT PANEL [R] RH-LH W/O LOCK H65-6 TAV OM'16 | | | |
| 0040 | BN1414450 | SUPPORT INFERIEUR PORTE [R] TABLE OM'18 | | | |

| Pos | Réf. | Description | Notes | Valable à p | Valable jus |
|------|---------------------|-------------|-------------------------|-------------|-------------|
| 0041 | BN32636500SXSE R | BOM.POR.SX | C/S H65-6 RON TAV OM'16 | | |
| 0042 | BN32636500SER | BOM.POR.DX | C/S H65-6 RON TAV OM'16 | | |



| Pos | Réf. | Description | Notes | Valable à p | Valable jus |
|------|----------------|---|-------------|-------------|-------------|
| 0001 | FR6688220 | COMPRESSEUR [R] EMT6170Z R134A 230V 50HZ | | | |
| 0002 | BN14050300 | CUVE [R] | | | |
| 0003 | BN14354110 | FILTER 15 GR | | | |
| 0004 | BN2194210 | KIT COMPRESS. TNN 3-4V TAV.OW_OK | R134a | | |
| 0005 | BN14800780 | TUBE ECHANG.TABLE OK-OW03-04TNN- BT1.24X2500 | | | |
| 0006 | FR6850332 | ELECTROVANNE [R] | | | |
| 0007 | FR6851142 | BOBINE [R] 220/240V 50/60HZ | | | |
| 0008 | BN1648731513 | MOT.VENT.FMI 10/36W + CABLE 1MT | | | |
| 0009 | BN1417005 | CONVOGLIATORE IN PLASTICA COND.CG200 EXT | | | |
| 0010 | BN1495230028 | TURBINE [R] | | | |
| 0011 | BN141622800029 | CONDENSATEUR [R] D'AIR | | | |
| 0012 | BN143301400 | EVAPORATEUR [R] | | | |
| 0013 | BN1648125125 | VENTILATEUR | | | |
| 0014 | BN1666070 | RESISTANCE DEGIVRAGE TABLE OW PRED 110W INARCA | | | |
| 0015 | BN14410760 | JOINT [R] COUVERTURE PR C1015 | | | |
| 0016 | BN1629100 | COURROIE [R] | | | |
| 0017 | BN14250500 | COUVERTURE [R] TABLE OMNIA WUDI | | | |
| 0018 | BN2194200 | KIT CAMPANA TNN TAV. OW | | | |
| 0019 | BN14971702 | VALVE [R] | R13A4 | | |
| 0019 | FR6851220 | VALVE [R] | R452/48/507 | | |
| 0019 | FR6851810 | VALV.TZ2 A SALDAR 068Z3502 S/MOP R407C/ F | R407C/F | | |
| 0019 | FR6852060 | VALV.TERM.DANF. TUB 1 068U1958 6X12 R410 | R410 | | |
| 0020 | BN144551 | ISOLATION [R] VALVE D'EXPANSION | | | |
| 0021 | FR6851200 | ORIFICE [R] VALVE DE EXPANSION THERMOSTATIQUE | | | |
| 0022 | FR6850332 | ELECTROVANNE [R] | R134A | | |
| 0023 | FR6851142 | BOBINE [R] 220/240V 50/60HZ | R134A | | |
| 0024 | BN32103056 | BAC [R] RECUPERATION | | | |
| 0025 | BN16660901 | RESISTANCE [R] 90W 110/265V EVAPORATEUR | | | |



| Pos | Réf. | Description | Notes | Valable à p | Valable jus |
|------|------------|--|-------|-------------|-------------|
| 0001 | BN1681118 | THERMOSTAT [R] EVC20S35N7ALX40 4 RELE | | | |
| 0002 | BN167211 | SONDE [R] AMBIANCE NTC L. 3 M | | | |
| 0003 | BN167211 | SONDE [R] AMBIANCE NTC L. 3 M | | | |
| 0004 | BN1681470 | FICHE [R] CÃ,BLAGE 6 CONNECTEURS | | | |
| 0005 | BN168340 | TRANSFORM. AC/DC APV-16E-12DI-16W 12V L=330 | | | |
| 0006 | BN148255 | SUPPORT [R] FICHE | | | |
| 0007 | BN16101561 | CABLE [R] L. 4000 | | | |
| 0008 | BN148250 | PROTECTION [R] FICHE | | | |
| 0009 | BN140420 | FILTRE DE L'AIR [R] | | | |
| 0010 | BN14261331 | LEXON [R] NEUTRE EN POLYCARBONATE | | | |
| 0011 | BN33573900 | PLASTRON TERMOS.L=330 TAV OMNIA GEN H66 | | | |